

ISSUE #1 JANUARY 1988

FOR THE RECORD

by Ed Bittner
Recording Secretary

A CHRISTMAS MESSAGE

T'WAS THE SIXTEENTH OF DECEMBER, when all through the meeting,
Every ear was attentive, and filled was the seating,
The coffee did perk, aromatically from the kitchen,
While cookies had members, undecided as to whichen',
The snow had not come, so Santa would be late,
The cold wind did howl, for this very important date,
Pres. Coleman did skip, the minutes preceding,
While the treasurers report, left his eyes (\$\$) gleaming,
The library report, presented by Zeno,
did attempt to make access, less random than Keno,
The feug in G-minor, sounded ever so sweet,
that I found myself lulled, in to a deep sleep,
The 64 column, scrolled fast on the screen,
As Chariots of Fire played, was it a dream,
When from the kitchen, there rose such a clatter,
I awoke from my slumber, to see what was the matter,
A jolly old elf, who spoke lively and quick,
It must have been Santa, a hardware man so slick,
He had in his bag, both tee shirt and tote,
The meeting then livened, a much higher note,
He drew from his sack, unbelievable sights,
Having many a chip, and a console with lights,
Saying all that he could, he stopped for a breather,
And then he announced, this simple little teaser.
THE NEW YEAR APPROACHES, AND MANY OF YOU,
BETTER PAY UP, CAUSE YOUR DUES ARE DUE !,
He turned with a smile, gathered cookies and cakes,
continued his hardware lecture, without any mistakes,
He left as he came, speaking lively and bright,
exclaiming Merry Christmas to all, and to all a good night.

Cheerfully submitted,
Scoops Bittner

DECEMBER TREASURER'S REPORT

"THE CASE OF THE MISSING CARTRIDGE" or
 "HOW TO PLAY THE SLOTS" by Denis A. Dann - Milwaukee 99

FROM JAN TRAYERS

* 12/15 CASH ON HAND	\$ 45.00	*
* 12/15 LIBRARY SALES	14.00	*
* " MICROPENDIUMS	22.25	*
* MEMBERSHIPS	235.00	*
* DISK, ETC. SALES	140.00	*
* RAFFLE	+ 34.00	*
* TOTAL	\$490.25	*
* COST RAFFLE PRIZE	-16.00	*
* TOTAL	474.25	*
* 12/28 BANK DEPOSIT	-416.00	*
* 11/25 CASH ON HAND	\$ 57.25	*

* 12/15 BANK BALANCE	\$926.88	*
* 12/10 DISK PAYMENT	- 264.00	*
	662.88	*
* 12/15 POSTAGE	- 50.60	*
	612.28	*
* 12/28 MICROPENDIUMS	- 33.00	*
	579.28	*
* BALANCE	\$579.28	*
* 12/28 DEPOSIT	+ 416.00	*
* TOTAL	\$995.28	*

* TOTAL CASH BALANCE	\$1052.53	*

After reading "INSTALLING EXTENDED BASIC INSIDE YOUR CONSOLE" by John F. Willforth of West Penn 99, I proceeded to make the necessary modifications. My efforts were rewarded with a well functioning unit. Then I discovered that of course I couldn't have a cartridge in the grom port at the same time X-Basic was loaded unless I wanted a fine array of Assembly Language Codes on the screen. Furthermore, if I used a *Cartridge Expander I now had to leave one connector open in order to use the X-Basic option. Now I had a Navarone two-cartridge "Widget". With the aid of a Jeweler's file and 15 minutes time, a simple modification of the indexing switch allowed me to restore it to a three-cartridge Expander with a four position indexing switch.

1. Remove cartridges from expander.
2. Remove four (4) phillips screws from back side of Expander and gently separate housing, noting position of components.

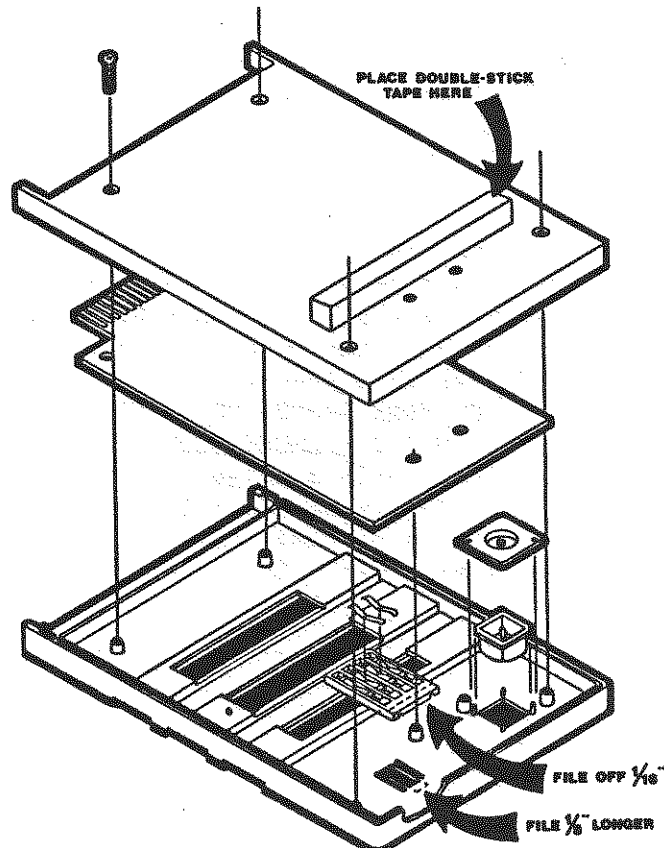
Note: modifications will be made to top side of housing and white index switch slider.
3. File index switch opening an additional 1/8" towards front of housing.
4. When switch normally bottoms out at position 3, there is approximately 1/16" of clearance to the inside front edge of housing. Therefore you need only to file 1/16" off of front edge of switch slider for a total of 1/8" clearance.
5. Reassemble components and you now have a 4 position index switch with one open circuit position to facilitate the use of the internal X-Basic mode.
6. Label the switch opening (1 2 3 X).

REMEMBER: If you see assembly language on the screen check all switch positions first.

7. In addition to the above...putting a length of double-stick tape on the foot of the Expander will provide a nice tight installation preventing movement of the Expander by accidental bumps.

Many thanks to John Willforth for a neat project; and to Navarone for a fine product.

*Cartridge Expander is a Trademark of
 Navarone Industries - Sunnyvale, California



NEXT MEETING.....
 JAN. 19, 1988 at the
 UNITED PRESBYTERIAN
 CHURCH of the COVENANT
 corner of OAK and 4th
 St. IRWIN, PA. at 7:00
 PM. BIG FREE DOOR
 PRIZE.....

"TIPS FOR BEGINNERS"

-BY FRANK N. ZIC-

Here we go together-No. 11. What I would like to cover in this article are some odd and end items that might recall some slightly forgotten facts or perhaps they will remind you of a project you might want to begin. At any rate, here they are:

** - Awhile back I added something to my overall equipment and only now after some extensive usage, its true value comes into focus. This handy item is a small lever action cutting board. It is useful for square cutting the catalog listing of your disk after printing. Your Wife, too, will find it useful for cutting out the many food coupons that we all find so financially rewarding.

** - How many times have you read or heard something, and noted in your mind that this is a good idea; only not to act on it even though you really wanted to. Well, here is an item that perhaps you should follow up on. The new cataloging disk by our own Martin Kroll Jr. It is fast (written in Assembly language), has a search mode and even has space to enter comments behind the filenames. I use this space to mark down how a program is loaded or to give a rating to the many games that I eventually get back to playing or want to set up for my Grandson on his, looked forward to, visits.

** - Take advantage of any one of the many calendar programs available to start a listing of events, such as Bowl or Super Bowl games etc. (sorry ladies), meetings, birthdays or even use it as a mini-diary.

** - Several months ago at one of our club meetings I showed an example of a calling card I made up, on clear plastic, with the TI-Writer program. Think how nice it could be customized and how economical when using one of the many font programs available. Make it on stiff colored paper for a really distinctive look.

** - Speaking of distinctive looks, why not make up your own return address labels and make them different, say with the enlarged first initial of your last name just ahead of your name and address. The large letter can be Arabic, Old English or any other type character that you like. The effect can be effective and eye catching. Should you perhaps want the particular party you are sending the letter to, to give you a call, you might include your phone number. For example:

Z

Mr. Mrs. Frank N. Zic
818 Everglade Drive
McKeesport, Pa. 15135
(412) 751-6065

Until next time may the good 4's be with you.

LET'S TALK RAM DISKS PART II

BY JOHN F. WILLFORTH (DEC. 1987)

LAST MONTH I ATTEMPTED TO PRESENT A FOUNDATION FOR US TO SPRING INTO THE SUBJECT OF RAM DISKS BY DESCRIBING WHAT THEY ARE AND WHAT FEATURES THEY GENERALLY POSSESS. THIS IS THE MONTH THAT I WILL BEGIN TALKING ABOUT SPECIFIC RAM DISKS. THE ORDER IN WHICH THEY ARE PRESENTED MONTH BY MONTH IS NOT RELATED TO MY PERSONAL PREFERENCE OR THEIR PUBLIC ACCEPTANCE.

THE HORIZON RAM DISK WAS NOT THE FIRST RAM DISK ON THE MARKET, BUT IT WAS THE FIRST WITH STATIC RAM AND LOW POWER AT THAT. THIS ENABLED THE UNITS TO SAVE THE ROS AND THE FILES IN THE EVENT OF POWER OUTAGES AND NORMAL POWER-DOWN OF THE PEB FOR LONG PERIODS OF TIME (WEEKS AND PERHAPS MONTHS) WITH THE USE OF ONLY THREE "AAA" NI-CAD BATTERIES. THE ORIGINAL CAPACITIES OF THE TWO VERSIONS AVAILABLE FROM HORIZON COMPUTER LIMITED WERE 104K (360 SECTORS) AND 192K (720 SECTORS), THE DIFFERENCE, IF YOU CALCULATE FOUR SECTORS PER EACH ONE K. OF MEMORY, IS THE MEMORY USED TO STORE THE ROS (RAMDISK OPERATING SYSTEM).

THERE WERE LARGER RAM DISKS ON THE MARKET WHEN THE HORIZON CAME OUT, BUT NONE THAT OFFERED THE SOURCE CODE OPENLY TO ANY WHO WANTED TO DEVELOP NEW APPLICATIONS FOR THIS CARD. THIS DECISION WAS A FACTOR IN MAKING THE HORIZON RAMDISK THE POPULAR UNIT THAT IT IS TODAY AS WELL AS THE TERRIFIC ENHANCEMENTS BOTH HARDWARE (MIKE BALLMAN) AND SOFTWARE (JOHN JOHNSON) WISE. MORE ON THIS SUBJECT LATER.

THE HORIZON RAM DISK (I'LL REFER TO AS HRD) WAS DESIGNED TO OPERATE WITH ALL OF THE DISK CONTROLLERS ON THE MARKET (T.I., MYARC, CORCOMP, AND PERCOM) AND WITH MOST 32K MEMORY EXPANSIONS (T.I., MYARC, FOUNDATION, BOXCAR, ETC.). THE HRD IS NOT YET ABLE TO OPERATE IN THE GENEVE (9640) ENVIRONMENT, BUT EXPECT THIS TO CHANGE SHORTLY. WITH THE UNCERTAINTY OF THIS MARKET, AND THE ADVANCES MADE EVERY DAY, THE AREAS THAT I TALK OF HERE ARE ONLY ONE MORE RUNG OF THE LADDER HIGHER TOMORROW, SINCE WE HAVE NOT YET SEEN THE APEX OF THE LIFE CYCLE OF THE TI-99/4A AND IT'S FAMILY OF PERIPHERALS.

THE HRD SUPPORTS NEARLY ALL SOFTWARE THAT CAN BE LOADED ONTO A DISK DRIVE IN THE NORMAL FASHION, FILE OR DISK COPY WITH DISK MANAGER II, DM1000, OR THE MYARC AND CORCOMP DISK MANAGERS. IF THE PROGRAM IN QUESTION HAS SOME SPECIAL TRACK/SECTOR PROTECTION YOU WILL PROBABLY HAVE TROUBLE INSTALLING IT ON THE HRD, OR FOR THAT MATTER ANY RAM DISK.

THE HRD HAS A SWITCH SELECTABLE CRU ADDRESS, WHICH ENABLES YOU TO SELECT IT'S CRU ADDRESS EASILY. THE ROS TALKED OF EARLIER, IS RAM, AND CAN THUS BE ALTERED EASILY AS THE NEED ARISES (IMPROVEMENTS TO THE OPERATING SYSTEM OR CUSTOMIZING). THE HRD HAS A COMPLETE SET OF "CALLS" AND CAN EASILY HAVE NEW CALLS WRITTEN BY THE USER. YOU DON'T NEED AN EPROM BURNER TO IMPLEMENT THEM ON THE CARD. THESE CALLS ARE SUMMONED IN BASIC OR EXTENDED BASIC. THEY INCLUDE:

- 1) CALL DN(N) SET DRIVE NUMBER
- 2) CALL WO OR WF SET/CLEAR WRITE PROT. ON THE DRIVE.
- 3) CALL MS(N) SETS MAX. SECTORS THE ROS WILL RECOGNIZE.
- 4) CALL CO OR CF TURNS CARD ON/OFF
- 5) DELETE "XBCALL" EXECUTED AFTER CALL INIT TO MOVE ALL THE CALL ROUTINES TO THE LOW 8K. OF EXPANSION MEMORY. CALL LINKS THEN CAN ACCESS THEM.
- 6) CALL EX USED WITH CALL CO/CF ALLOWS THE USER TO LINK TO THE ROS FROM BASIC.
- 7) CALL DM USED TO LOAD A DISK MANAGER WHEN THE DISK MANAGER FILES ARE ON THE RAMDISK.
- 8) CALL NF(N) ONLY USEFUL WHEN CRU BASE ISN'T <1000 TO ENABLE BASIC AND OTHER PROGRAMS TO ACCESS THE RAMDISK.
- 9) CALL ? USERS CAN CREATE THEIR OWN USER-DEFINED SUBROUTINES. DOCUMENTATION INCL.

THE HRD CAN BE PURCHASED AS A 192K. UNIT FULLY ASSEMBLED AND WARRANTIED FOR 90-DAYS FROM HORIZON FOR \$195. OR AS A BARE BOARD W/DOCS AND SOFTWARE FOR \$45. OR JUST THE BARE BOARD FOR \$38. IN ANY QUANTITY. I TALKED TO RON GRISE JUST YESTERDAY 12/25/87, AND WAS TOLD THAT THE LAST UNITS HE SENT OUT WERE SET UP TO BE EASILY UPGRADED TO THE HRD+ (USES 32K. BYTE CHIPS AND CAN BE EXPANDED TO ONE-MEG.). THEY INCLUDE MENU 7.01 AS WELL AS THEIR OWN OPERATING SYSTEM. BUD MILLS SERVICES PROVIDES THE COMPLETE KIT ASSEMBLIES FOR THIS UNIT AND THE HRD+. MORE ON THE HRD+ NEXT MONTH. THERE IS JUST TOO MUCH DIFFERENT TO INCLUDE THIS MONTH. HORIZON COMPUTER, LTD P.O. BOX 554, WALLBRIDGE, OH 43465 AND BUD MILLS SERVICES, 166 DARTMOUTH DR., TOLEDO, OH 43614.

ED. NOTE: I HAVE BEEN USING THE HRD FOR NEARLY AS LONG AS IT'S BEEN AVAILABLE, AND HAVE HAD NO PROBLEMS WITH IT, EVIDENCED BY THE FACT THAT ROS REV.'S HAVE BEEN SO SELDOM IN COMING.

A REWRITE OF THE TI-WRITER MANUAL AVAILABLE.....

DICK ALTMAN, 1053 SCHRADER STREET, SAN FRANCISCO, CA 94117, (415)661-1994, HAS REWRITTEN THE TI-WRITER MANUAL INTO AN EASIER TO UNDERSTAND VERSION. IT CAN BE RUN INTERACTIVE WITH TI-WRITER (CARTRIDGE, OR DISK BASED) TO GIVE YOU DIRECT USE OF THE INSTRUCTIONS IN A REAL APPLICATION MODE. THIS IS AVAILABLE ON DISK FROM DICK AT NO CHARGE! BE SURE TO SEND SUFFICIENT TO COVER HIS COSTS IN REPRODUCTION AND MAILING OR DICK WILL QUICKLY LOOSE HIS ENTHUSIASM, I'M SURE.

ALPHACOM PRINTER HELP.....

BOB BEESE OF SAN JOSE, CA HAS ROMS FOR THE ALPHACOM "42" AND "81" INTERFACES AT \$19.95 + S/H ON C.O.D. ORDERS. IF YOUR ALPHACOM PRINTER DOESN'T FUNCTION OR IF YOU ARE ONE WITH THE INTERFACE FOR THE WRONG PRINTER, (THE INTERFACE FOR THE TI IS THE SAME FOR BOTH THE "42" AND THE "81" EXCEPT FOR THE ROM), THEN YOU CAN MODIFY THE INTERFACE. ALSO THE ALPHACOM "81" IS NO LONGER AVAILABLE, BUT THE "42" (40 COLUMN VERSION) IS.

I BELIEVE THAT SUPPLIES (PAPER) ARE ALSO AVAILABLE FROM HIM. BE SURE TO SPECIFY T.I. AS THE TYPE OF COMPUTER YOU ARE INTERFACING TO, SINCE THE PRINTERS WERE AVAILABLE FOR MANY TYPES, AND THERE IS NO WAY BOB COULD KNOW WHO YOU ARE AND WHAT YOU ARE USING!

ALPHACOM, 2108C BERING DR., SAN JOSE, CA, 95131, (408) 436-0801

LOOKING FOR THE MANUALS THAT CAME WITH THE CONSOLE.....

MANY OF YOU PICKED UP THE CONSOLE YOU ARE USING NOW WITH NO MANUALS FROM SOMEONE WHO MAY HAVE NOT HAD THINGS TOGETHER. IF YOU ARE LOOKING FOR THE SET OF ORIGINAL DOCUMENTATION FOR A T.I.-99/4A CONSOLE, T.I. DEALER PARTS MAY BE ABLE TO HELP YOU.

THE "USER'S REFERENCE GUIDE" IS PART NO. 1039031-2, THE "BEGINNER'S BASIC" IS PART NO. 1039023-2, THE "TI-99/4A BASIC REFERENCE CARD" IS PART NO. 1039030-1. THE PRICES ARE NOMINAL, AND TI WILL BILL YOU IF YOU CALL AND OREDR OVER THE PHONE. THEY ARE VERY GOOD TO DEAL WITH. THE PHONE NUMBERS OF DEALER PARTS ARE (806) 741-2265/68. THE MAILING ADDRESS IS: TEXAS INSTRUMENTS INC.

ATTEN: DEALER PARTS
P.O. BOX 53
LUBBOCK, TX 79451

RAVE 99 MEMORY ENHANCEMENT SYSTEM NOW AVAILABLE.....

RAVE HAS INTRODUCED THREE MODELS OF THEIR NEW MEMORY ENHANCEMENT CARD WHICH CAN BE CONFIGURED WITH UP TO 4 CARDS AT 544K BYTES EACH IN A PEB, TOTAL OF 2 MEG. OF BATTERY BACKED MEMORY. THE CARD HAS BEEN TESTED WITH BUT NOT LIMITED TO THE TI RS232, TI DISK CONTROLLER, MYARC DISK CONTROLLER, HORIZON RAM DISK, AND THE RAVE 99 SPEECH ADAPTER.

IT HAS SPECIAL "MEMORY MAPPING" OF ADDRESSES >4000 TO >7FFF WHICH ALLOWS AN EXTRA 16K OF MEMORY FOR ASSEMBLY PROGRAMMING FOR A TOTAL OF 48K OF TRANSPARENT USER MEMORY. TWO (2) 8K BLOCKS OF DSR'S, ONE OF THE SYSTEM SOFTWARE AND ONE FOR THE USER. THE UNIT WILL SUPPORT THE MEMORY FOR UP TO FIVE (5) DAYS WITHOUT ANY BATTERIES, AND BEYOND THE 5 DAYS PERIOD, OPTIONAL LITHIUM BATTERIES WILL SUPPORT THE UNIT FOR MONTHS.

MEMORY MANAGEMENT SOFTWARE IS SUPPLIED WHICH CONTROLS THE MEMORY BANK SWITCHING ON THE CARD, GROM SPACE ACCESS, AND LOADING OF PROGRAMS INTO THE DSR MEMORIES. SYSTEM "CALLS" FROM (X)BASIC ALLOW THE SELECTION OF THE 32K MEMORY BANK TO MAP INTO THE COMPUTER AS WELL AS ENABLING/DISABLING THE "GROM" MEMORY SPACE (>6000 TO >7FFF). NON-DSR SPACE MAKES USE OF >4000 TO >5FFF WHEN A PERIPHERAL DEVICE SERVICE ROUTINE IS NOT MAPPED IN AND THIS SPACE WILL BE MADE AVAILABLE TO THE USER (8K).

ALL SOFTWARE THAT WAS WRITTEN TO RUN WITH TI 32K MEMORY EXPANSION WILL RUN ON THE MEMORY ENHANCEMENT SYSTEM. NEW ADVANCED SOFTWARE WHICH ALREADY TAKE ADVANTAGE OF THE ADDITIONAL MEMORY SPACE ARE: RYTE DATA'S "COMMAND DOS", R.A. GREEN'S "MACRO ASSEMBLER" AND DATABIO TIC'S "SOFTWARE SUPPORT LOADER".

THE THREE MODELS ARE: MX01/64 - 8K OF MEM. AT >6000 TO >7FFF, 8K Non-DSR, 8K SYSTEM (203) 871-7824 DSR, 8K User DSR, AND 32K EXPANSION MEM. AND ALL

FOR INFORMATION

- SOCKETING FOR UPGRADING UP TO 544K. ----- \$199.95
- MX01/288- SAME AS ABOVE BUT WITH 256K OF MEM. ----- \$299.95
- MX01/544- SAME AS ABOVE BUT WITH 512K OF MEM. ----- \$399.95

TO ORDER, ADD 5% FOR SHIPPING AND HANDLING, 3% FOR VISA AND MASTER CARD, AND IF YOU A RES. OF CT, ADD 7.5%, TO RAVE 99 CO. 112 RAMBLING ROAD, VERNON, CT 06066

PASCAL/p-CODE PART 2
Stan Katzman

Let us discuss how to print out data. If you have a parallel printer you cannot use the parallel port of the RS-232 card as a default, the default output is for a serial printer at 9600 baud. Therefore the output must be modified and this is done by using a program on the Utilities disk called MODRS-232. Place the Utilities disk in drive #4 and any other formatted disk in drive #5. Turn on the p-Code card, the P-Box, and finally the console. Press "X" and at the prompt "What file?" enter "MODRS-232". At the next display enter a "P" and at the next display enter "PIO". This now allows you to use your parallel printer. This must be done each time the computer is started. (If somebody knows how to incorporate this into SYSTEM.PASCAL please write me.)

Let us now get a printout of a disk directory. Put the Filer disk in drive #4 and press "F". (To get out of the Filer and back to "main" command line press "Q".) To get a disk directory listing press either "L" (L(ist dir) or "E" (E(xtensive dir). "E" gives more information and is the main one that I use, so let us press "E". You will now see "Dir listing of?", enter "#4" (or "#5" depending on which disk drive you want a listing of) and there will be a listing on the screen. If you want a listing to the printer, at the "Dir listing of?" prompt enter the following "#4:#6:" and the output will be to the printer. (The printer can be called "#6:" or "Printer:".)

Let us now prepare a disk so we can do Pascal programming. Put the Filer disk in #4 and an empty, formatted disk in #5. (It is assumed everything is at least DS/SD.) Call the Filer by entering "F" and then the Transfer program by entering "T". The prompt says "Transfer?", and at this point we are going to transfer files one at a time. From the listing of the Filer disk we see the following contents; System.Filer, System.Editor, System.Pascal, System.Syntax. Enter the following to transfer the first file; "#4:System.Filer,#5:\$" and the first file will be transferred. You will be returned to the command line so press "T" again and transfer the second file by entering at the prompt "#4:System.Editor,#5:\$". Do this for the rest of the files on this disk, then remove the Filer disk and put the Compiler disk in #4. The Compiler disk has the following files; System.Compiler, Screenops.Code, Commandio.Code, System.Library. You will be at the command line so press "T" and at the prompt enter "#4:System.Compiler,#5:\$". Continue this process until all the files are transferred. Take out the Compiler disk and put the Utilities disk in #4. On a routine basis we need the MODRS232.CODE file. So press "T" to return to the transfer program and then enter "#4:MODRS232.CODE,#5:\$". You will now have all the important files needed to make Pascal programs on one disk. Now back that disk up at least twice. You can also print out the directories of these disks. Also read the corresponding sections in the Filer.

(Notice in the above discussion that when we transferred the file to the second disk we used as a file name "\$". When the "\$" is used the original file name is used in the second case also. This saves us some typing.)

Well enough this time. More later.

NEW LISTING OF GROMS FROM TEXAS INSTRUMENTS.....

THE FOLLOWING IS A LIST OF GROM CHIPS AVAILABLE FROM DEALER PARTS AT TEXAS INSTRUMENTS IN LUBBOCK, TEXAS. IN WRITING ADDRESS YOUR LETTER TO : TEXAS INSTRUMENTS, ATTN: DEALER PARTS, P.O. BOX 53, LUBBOCK, TX 79415 OR CALL: (806) 741-2265, 2268. THEY ARE A GREAT GROUP OF PEOPLE TO DEAL WITH AND ARE VERY HELPFUL TO USERS OF THE TI-99/4A.

THE LIST BELOW IS NOT IN ANY ORDER THAT I CAN DECIPHER, BUT IF YOU SEARCH BY THE NAME OF THE CARTRIDGE, AND LOOK AT THE CHIP(S) IN YOUR CARTRIDGE CAREFULLY, YOU SHOULD HAVE A GOOD IDEA WHAT THE PARTS WILL COST YOU. IN ORDER TO KEEP THE COST DOWN BY SHARING THE S/H YOU SHOULD CHECK WITH OTHERS IN THE GROUP TO TAKE ADVANTAGE OF MUTUALLY SHARED EXPENSES.

THEY WILL BILL YOU, IF YOU INDICATE THAT YOU PREFER TO BE BILLED WITH THE SHIPMENT. THE TIME ALLOWED FOR PAYMENT IS 30 DAYS. THEY TRUST US, SO DON'T ABUSE THIS TRUST PLEASE. I HAVE REPAIRED EXTENDED BASIC, EDITOR ASSEMBLER, SOCCER, PLATO, AND OTHER CARTRIDGES, AS WELL AS MADE SOME NEW ONES THAT COULD NOT BE EASILY ACQUIRED I.E: EDITOR ASSEMBLER, AND THE TI DIAGNOSTIC CARTRIDGE. I HAVE THE FEELING THAT EVEN THOUGH TI SENT ME THIS NEW LIST, IT IS NOT COMPLETE. IF YOU WOULD LIKE TO BE SURE, IT IS BEST TO CONTACT THEM. ONE LAST NOTE, COUNT THE GROMS IN YOUR CARTRIDGE, AND THEN SEARCH THE LIST AGAIN, FOR EXAMPLE MULTIPLAN HAS 5 GROMS, AND 3 ARE IN ONE AREA AND 2 IN ANOTHER ON THIS LIST.

JOHN F. WILLFORTH 12/87

1015960-1007	PHYSICAL FITNESS	3.60	DIAGNOSTIC	5.40
1015960-2032	SPEECH	3.80	DEMONSTRATION	4.00
1015960-0075	SECURITIES ANALYSIS	3.80	DEMONSTRATION	3.60
1015960-0074	SECURITIES ANALYSIS	3.80	DEMONSTRATION	3.60
1015960-0076	SECURITIES ANALYSIS	3.80	DEMONSTRATION	3.60
1015960-0077	SECURITIES ANALYSIS	3.80	DEMONSTRATION	3.60
1015960-1040	PERSON.RECORD.KEEP	3.80	EARLY LEARN FUN	3.60
1015960-1041	PERSON.RECORD.KEEP	3.80	EARLY LEARN FUN	3.60
1015960-1042	PERSON.RECORD.KEEP	3.80	BEGINNING GRAPHAR	3.60
1015960-1043	PERSON.RECORD.KEEP	3.80	BEGINNING GRAPHAR	3.60
1015960-0064	STATISTICS	3.60	BEGINNING GRAPHAR	3.60
1015960-0065	STATISTICS	3.60	BEGINNING GRAPHAR	3.60
1015960-0066	STATISTICS	3.60	NUMBER MAGIC	3.80
1015960-0067	STATISTICS	3.60	VIDEO GRAPH	3.80
1015960-0068	STATISTICS	3.60	HOME FIN. DECISION	3.80
1015960-0069	STATISTICS	3.80	HOME FIN. DECISION	3.80
1015960-0070	EARLY READING	3.80	HOME BUDGET	3.80
1015960-0071	EARLY READING	3.80	HOME BUDGET	3.80
1015960-1073	EARLY READING	3.80	VIDEO CHESS	3.80
1015960-1072	EARLY READING	3.80	VIDEO CHESS	3.80
1015960-1093	EARLY READING	3.80	VIDEO CHESS	3.80
1015960-1094	EARLY READING	3.80	VIDEO CHESS	3.80
1015960-1095	EARLY READING	3.80	VIDEO CHESS	3.80
1015960-1035	TAX/INVEST/RCD.KEEP	3.60	FOOTBALL	3.80
1015960-1036	TAX/INVEST/RCD.KEEP	3.60	FOOTBALL	3.80
1015960-0106	VIDEO GAMES	3.80	PHYSICAL FITNESS	3.80
1015960-0107	VIDEO GAMES	3.80	ADD/SUBTRACT 1	3.80
1015960-0108	MUSIC MAKER	3.80	ADD/SUBTRACT 2	3.80
1015960-0116	MUSIC MAKER	3.80	ADD/SUBTRACT 2	3.80
1015960-0117	MUSIC MAKER	3.80	ADD/SUBTRACT 2	3.80
1015960-0118	NUTRITION	3.80	MULTIPLICATION 1	3.80
1015960-0119	NUTRITION	3.80	MULTIPLICATION 1	3.80
1015960-1120	NUTRITION	3.80	MULTIPLICATION 1	3.80
1015960-0102	NUTRITION	3.80	MULTIPLICATION 1	3.80
1015960-0103	NUTRITION	3.80	MULTIPLICATION 1	3.80
1015960-0104	REAL ESTATE	3.80	MULTIPLICATION 1	3.80
1015960-0105	REAL ESTATE	3.80	MULTIPLICATION 1	3.80
1015960-0091	REAL ESTATE	3.80	MULTIPLICATION 1	3.80
1015960-0097	HUNT THE WUPPUS	3.60	A-MAZE-ING	3.40
1015960-0098	SOCCER	3.60	ATTACK	4.00
1015960-0101	SOCCER	3.60	BLASTO	3.80
1015960-1122	MIND CHALLENGER	4.00	BLKJACK/POKER	3.80
1015960-1113	EXTENDED BASIC	3.60	SPELL/EMULATOR 2	3.80
1015960-1114	EXTENDED BASIC	3.60	SPELL/EMULATOR 2	3.80
1015960-3115	EXTENDED BASIC	3.60	EMULATOR 2	3.80
1015960-0115	EXTENDED BASIC	3.60	EMULATOR 2	3.80
1015960-0134	EXTENDED BASIC	3.60	EMULATOR 2	3.80
1015960-0135	EXTENDED BASIC	3.60	EMULATOR 2	3.80
1015960-0352	MULTIPLAN	3.60	EMULATOR 2	3.80
1015960-0298	MULTIPLAN	3.60	EMULATOR 2	3.80
1015960-0299	MULTIPLAN	3.60	EMULATOR 2	3.80
1015960-0332	MULTIPLAN	3.60	EMULATOR 2	3.80
1015960-0333	MULTIPLAN	3.60	EMULATOR 2	3.80
1015960-0301	MULTIPLAN	3.60	EMULATOR 2	3.80
1015960-0345	MULTIPLAN	3.60	EMULATOR 2	3.80
1015960-0346	MULTIPLAN	3.60	EMULATOR 2	3.80
1015960-0303	MULTIPLAN	3.60	EMULATOR 2	3.80
1015960-0405	MULTIPLAN	3.60	EMULATOR 2	3.80
1015960-0406	MULTIPLAN	3.60	EMULATOR 2	3.80
1015960-0407	MULTIPLAN	3.60	EMULATOR 2	3.80
1015960-0408	MULTIPLAN	3.60	EMULATOR 2	3.80
1015960-0464	MULTIPLAN	3.60	EMULATOR 2	3.80
1015960-0465	MULTIPLAN	3.60	EMULATOR 2	3.80
1015960-0469	MULTIPLAN	3.60	EMULATOR 2	3.80
1015960-0470	MULTIPLAN	3.60	EMULATOR 2	3.80
1015960-0326	MULTIPLAN	3.60	EMULATOR 2	3.80
1015960-5253	MULTIPLAN	3.60	EMULATOR 2	3.80

LOOKING FOR SOMEONE WITH AN ALPHACOM/42 INTERFACE.....

I'M LOOKING TO BORROW AN ALPHACOM/42 (40 COLUMN) INTERFACE TO TROUBLESHOOT A PROBLEM FOR A MEMBER OF THE WEST PENN 99'ERS. I'M TRYING TO ISOLATE A PROBLEM TO THE PRINTER OR TO THE INTERFACE. CONTACT ME AT: (412) 527-6656, OR WRITE: JOHN F. WILLFORTH, R.D. #1 BOX 73A, JEANNETTE, PA 15644. I'LL REIMBURSE YOU FOR YOUR EXPENSES. THANK YOU.

LOOKING FOR A TE-II CARTRIDGE AND A WIGET.....

CONTACT PAUL BROCK AT : (412) 478-2754, OR WRITE: PAUL BROCK, 1707 LUXEMBURG MANOR N. APOLLO, PA 15673

FOR SALE

COMPLETE USED TI-99/4A DISK COMPUTER SYSTEM which includes the following: MODULES

- UTILITY— TI XBASIC, DISK MANAGER II, TE-II, HOME FINANCIAL DECISIONS, PRK, MUSIC MAKER, NAVARONE DISK FIXER, TI WRITER, EDITOR ASSEMBLER
- GAMES— PARSEC, ADVENTURE, BLASTO, HUNT THE WAMPUS, THE ATTACK, T.O.D., TI INVADERS
- SOFTWARE— TI WRITER, EDITOR ASSEMBLER, GRAPHICS GRABBER, DATA FORCE, DRAW-A-BIT, PLUS TOO MANY UTILITIES TO LIST HERE, APPX. 100.

HARDWARE

- 1-TI-99/4A Console w/32k mem. and interrupt sw. built in.
- 1-P.E.B. Package, Includes the TI Disk Cont., RS232/Parallel, and Drive.
- 1-Volksmodem 300 baud.
- 1-Speech Synthesizer

BOOKS AND PUBLICATIONS ... Over 10 programming instruction books, including assembly, TI FORTH and Disk Fixer.

ALL OF THE ABOVE IS BEING OFFERED AS A ONE (1) ONLY PACKAGE DEAL. CASH ONLY FOR \$500. CALL CHUCK STRINK, PHONE 412-668-2811

A NOTE FROM THE CLUB LIBRARIAN,

Eric Zeno

ERIC ZENO

I WOULD LIKE TO SAY A WORD OR TWO ABOUT OUR NEW LIBRARY. FIRST OFF, IT IS NOW BASED ON THE FLORIDA GROUP'S LIBRARY. WE ARE GOING TO HAVE THE SAME CATEGORIES (WITH A FEW ADDITIONS) AND ALSO THE SAME NUMBERING SYSTEM. OUR LIBRARY WILL HAVE ALL THE SAME PROGRAMS THAT THE FLORIDA GROUP SENT US, BUT WE WILL NOW ADD OUR OWN PROGRAMS TO IT. THE FLORIDA CATEGORIES ARE LISTED BELOW.

- 1000-1799 GAME PROGRAMS
- 2000-2499 PERSONAL AND UTILITY PROGRAMS
- 3000-3999 GRAPHIC AND DEMONSTRATION PROGRAMS
- 4000-4999 EDUCATION PROGRAMS
- 5000-5999 BUSINESS PROGRAMS
- 6000-6999 MUSIC PROGRAMS

WEST PENN'S ADDITIONAL CATEGORIES:

- FAIRWARE PROGRAMS EXAMPLE: RAPID SCROLL, TI-SINGS.
- FREWARE PROGRAMS EXAMPLE: FORTH, DM1000, TI-WRITER UPDATE.
- NEW RELEASES
- 1800-1999 ADVENTURE PROGRAMS

UNFORTUNATELY ONLY THE ADVENTURE GAMES WILL BE ABLE TO HAVE THE SAME NUMBERING SYSTEM AS THE FLORIDA LIBRARY. THIS IS BECAUSE LARGER SOFTWARE PACKAGES MAY CONSIST OF MANY PROGRAMS THAT CALL ONE-ANOTHER, AND TO DO THIS THE SOFTWARE WOULD HAVE TO BE RE-WRITTEN.

AT THE NOVEMBER MEETING SOMEONE PASSED OUT A FLOPPY DISK LABELED "WEST PENN 99ERS WP1201LIST BSSD". I WOULD LIKE TO URGE EVERYONE TO LOAD TI-WRITER AND TAKE A LOOK AT THESE FILES. THIS IS OUR CATALOG WHICH WE ARE WORKING FROM. YOU CAN USE THE FILE "CONTROLD" OR "CONTROLS" THRU THE FORMATTER AND HAVE IT PRINT YOU A CATALOG. AS THE CATALOG IS UPDATED AN EXCHANGE DISK WILL ALSO BE AVAILABLE TO KEEP EVERYONE ABREAST OF THE NEW SOFTWARE AVAILABLE. PRESENTLY THE ONLY ADDITION HAS BEEN A LIST OF CARTRIDGES THE CLUB HAS AVAILABLE TO LOAN.

LAST BUT NOT LEAST THE ENTIRE FLORIDA LIBRARY HAS BEEN COPIED AND WILL BE AVAILABLE AT THE JANUARY MEETING.

```

30000 ! BY JIM GALLAGHER OF
THE NORTHERN NEVADA 99'ERS.
30010 CALL CLEAR :: CALL CHA
R(100,"030102")! CONVERT HEX
TO DECIMAL
30020 DISPLAY AT(10,1):"HEX"
" DECIMAL"
30030 ACCEPT AT(12,1)VALIDAT
E(DIGIT,"ABCDEF")SIZE(-8):H$
:: IF H$="" THEN 30030
30040 SUM=0 :: L=LEN(H$)
30050 FOR J=1 TO L
30060 H=ASC(SEG$(H$,L+1-J,1)
)
30070 IF (H<58)*(H>47)THEN H
=H-48 ELSE H=H-55 ! CONVERT
ASCII TO DECIMAL 0 THRU
15
30080 SUM=SUM+H*16^(J-1)! C
ONVERT DECIMAL DIGITS TO DEC
IMAL NUMBER
30090 NEXT J
30100 DISPLAY AT(12,14):USIN
G "#####":SUM :: N,R=0
:: D=LEN(STR$(SUM))
30110 D=D-3 :: IF (D>0)*(N<3
)THEN R=R+1 :: N=N+1 :: GOTO
30110
30120 DISPLAY AT(13,13):RPT$
(" ",3-R):RPT$(" d",R)::
CALL HCHAR(17,14,32,10)
30130 IF (SUM>2^16)THEN 3015
0 ELSE IF SUM>2^15 THEN SUM1
=SUM-2^16 ELSE SUM1=SUM
30140 DISPLAY AT(16,14):"MEM
DRY LOC": SUM1
30150 GOTO 30030

```

FOR SALE XTRA "TI STUFF"

- 1 TI-99/4 Original TI Console w/Equation cal \$100.00 1
- 1 TI-99/4a Console 1981 black/silver used e/c 40.00
- 1 TI-99/4a Console 1981 black/silver NEW 65.00
(both have latest stack pole k/b & new p/s)
- 1 Gram Kraker 80k w/disk&book 150.00 or best
- ast books almost every one every published (ask I have)
- 98 ast carts for the machine (ask me)
- 1 WIDGET mdl 1 10.00 or best
- 1 GEMINI 10X printer e/c 100.00 or best
- 6 Stack pole keyboards (black) 5.00 ea.
- 1 TI Modem coupler 15.00
- 1 TI SSDD Disk Drive(p-box dirve)NEW 15.00

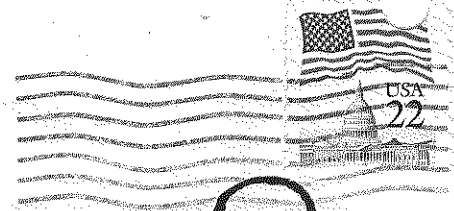
Its house cleaning time and the wife says this \$#%& has to go so if any body is interested leave msg for John Wilforth and we'll make a deal you wouldn't believe!!!!!!
 If John is told he'll be able to contact me or call me at 1(919) 375-6560 thats North Carolina folks the name is George McCormick the otherway to get in touch with me is to leave E-MAIL to G.McCormick on the Genie Info Network.
 Thanx hope someone can use this stuff!!!!!!

Dear West Tenn
 Member,
 If you come to
 The Meeting This
 Month (January)
 I'll give you an
 even chance to
 take a CRT home
 with you. It is
 a Data General
 6053 CRT with
 80 column x 24
 line Display and
 operates on
 EIA or 20MA.
 Has a detached
 keyboard. Every
one who comes
 get a chance!
 No charge. See
 you the 19th.
 John Wilforth

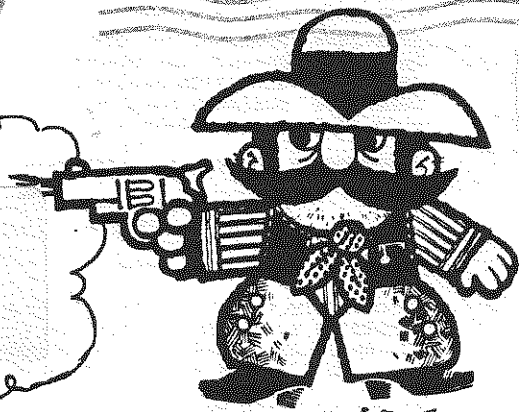
THE WEST PENN 99'ERS

% JOHN F. WILLFORTH
 R.D. #1 BOX 73A
 JEANNETTE, PA
 15644

CHECK THE MEETING DATE!!!!!!
 THIS COMMING TUESDAY JAN 19
 7:00 PM COME EARLY!!
 DON'T MISS IT!



MICKEY SCHMITT
 196 BROADWAY AVE.
 LOWER BURRELL PA 15068



DUES ARE DUE!