

```

*      *      #      #      @      @      %%%      $      $
**     **     #      #      @@     @      %      %      $      $
*      *      *      #      #      @  @   @      %      $      $
*      *      #      #      @  @  @      %      $$$$
*      *      #      #      @      @@     %      %      $      $
*      *      ###     @      @      %%%      $      $

```

---

Mass Users of the Ninety nine and Computer Hobbyists

---

August 1986

Monthly Newsletter

Version 5.8



MUNCH MEETING MINUTES OF JULY 15, 1986

THE MEETING THIS MONTH HAD SOME SURPRISES. FOR ONE, WE HAD THE NEW COMPUTER TO SHOW AND THE NEW HORIZONS RAM DISK. BRUCE WILLARD GOT THIS MONTH'S MEETING UNDER WAY. IT TOOK PLACE SOONER THAN PLANNED BECAUSE THERE WERE SOME PROBLEMS WITH THE DEMO. BECAUSE THE CLUB COMPUTER SYSTEM WAS NOT THERE, WE HAD TO SCRAMBLE LIKE CRAZY TO GET ONE TO DEMO GENEVE AND THE RAM DISK. THANKS TO DON HADSON WE ACQUIRED ONE.

THE MEETING STARTED WITH MINUTES BEING APPROVED AND TREASURER'S REPORT BEING READ BY JIM COX. THE REPORT IS AS FOLLOWS:

INCOME FOR JULY

RAFFLE-----	12.00
RENEWAL DUES-----	15.00
BLANK DISKS SALES-----	2.00
T-SHIRT SALES-----	8.00
99 UNITED FAIR WALTHAM-----	205.00

EXPENSES FOR JULY

LIBRARY EXPENSES-----	5.00
MONITOR RENTAL-----	25.00
POSTAGE-----	22.00
NEWSLETTER PRINTING-----	50.00

CHECK BOOK BALANCE TOTAL-----620.00

THIS MONTH WE RAFFLED OFF A CHOICE OF EITHER A TEN PACK OF OMNI DISKETTS OR A DOZEN C-30 CASSETTES, WHICH EVER THE WINNER WANTED. AND THE WINNER, OF ALL PEOPLE, WAS JIM COX.

JIM COX HAD SOMETHING MORE TO ADD. ONE OF THE USER GROUPS IN COLORADO HAD CRAIG MILLER VISIT THEIR MEETING TO DO A DEMONSTRATION OF HIS DISK ASSEMBLER, NIGHT MISSION, THE GRAMCRACKER, AND SOME OF THEIR OTHER PRODUCTS THAT MILLERS GRAPHICS MAKES. THE ENTIRE DEMO WAS VIDED TAPED IN VHS FORMAT AND WE PURCHASED A COPY OF IT. NEXT MONTH THE FIRST HALF OF THE TWO HOUR TAPE WILL BE SHOWN AND THE FOLLOWING MONTH THE OTHER.

NEW BUSINESS: ASGARD SOFTWARE IS WORKING IN THE COMPUTER USER GROUPS FAVOR. AS A PUBLIC SERVICE TO USER GROUPS, SOME 48 PICTURES IN ALL STORED IN THE GRAPHX FORMAT, MAY BE DISTRIBUTED THROUGH THE USER GROUPS AT WILL. THESE WERE GRAPHICS THAT WERE CREATED ON OTHER COMPUTERS IN THE R.L.E. FORMAT ON COMUSERVE FOR PUBLIC DISTRIBUTION. ASGARD SOFTWARE SPENT A LARGE AMOUNT OF TIME AND MONEY DOWN LOADING THESE PICTURES AND CONVERTING THEM FROM AN ASCII

TO A GRAPHX FORMAT WHERE THEY CAN BE READLY ENJOYED. ONLY 99/4A USERS GROUPS AND ASSOCIATIONS MAY OBTAIN THESE WORKS FOR DISTRIBUTION TO THEIR MEMBERS BY SIMPLY SENDING TO ASGARD SOFTWARE A CHECK FOR TWO DOLLARS TO COVER RETURN POSTAGE AND EIGHT INITIALIZED SINGLE SIDED-SINGLE DENSITY DISKS. THIS OFFER IS NOT FOR INDIVIDUALS LIKE THE PUBLIC DOMAIN SOFTWARE. THIS IS DUE TO THE REPRODUCTION PROBLEMS THAT ASGARD WOULD FACE. THIS IS COMING FROM CHRIS BOBBIT PRESIDENT OF ASGARD SOFTWARE. THIS MEETING WAS ALL IN FAVOR OF GETTING IT.

YOU MAY HAVE NOTICED THAT THE NEWS LETTER PRINTING IN SOME PLACES AS BEEN RUNNING A BIT LIGHT. THIS IS NOT DUE TO AN OLD RIBBON IN THE PRINTER BUT THE PRINTING ITSELF. THE PRINTER AS BEEN TOLD AND HOPEFULLY THIS WILL NOT BE A PROBLEM IN THE FUTURE. IF FOR SOME REASON YOU ARE UNABLE TO READ ANY PORTION OF THE NEWSLETTER BECAUSE OF THE PRINTING, PLEASE CONTACT BRUCE WILLARD. HE HAS THE ORIGINAL PASTE-UP.

PETER HODDIE SPOKE ABOUT ABOUT THE NEW COMPUTER, GENEVE, FROM HYARC INC. WHICH I HAD BROUGHT WITH ME AT THE MEETING TO DEMONSTRATE. IT IS ONE OF 20 BOARDS PRESENTLY MADE. THIS COMPUTER WAS NUMBER FOUR. THERE ARE TWO WITH PAUL CHARLTON, ONE WITH LOU PHILLIPS, ONE IN CANADA, THAT ROB GREEN IS WRITING SOFTWARE FOR, AND TWO OR THREE OTHERS ACROSS THE COUNTRY PRESENTLY BEING USED FOR OTHER REASONS. NOT ALL OF THESE COMPUTER BOARDS HAVE BEEN STUFFED AS YET BECAUSE OF SOME REDESIGNING OF THE BOARDS. ALL TWENTY ARE TRULY EXPERIMENTAL BUT ARE VERY OPERATIONAL. WE ARE VERY PRIVILEGED TO HAVE IT IN OUR POSSESSION. THE INTENT OF HAVING IT HERE TO SHOW WAS NOT THE ONLY REASON. PETER HODDIE IS WRITING SOME OF THE OPERATING SOFTWARE. I AM DOING WHATEVER I CAN TO MAKE IT AS EASY AS POSSIBLE FOR A FASTER GROWTH ON THE NEW GENEVE. WE DID HAVE SOME PROBLEMS AS EXPECTED IN TRYING TO GET IT TO WORK. THIS COMPUTER AT THE TIME COULD ONLY WORK ON THE HYARC DISK CONTROLER AND THERE WASN'T ONE AROUND TO BE FOUND. THATS NOT TO SAY THAT IT ISN'T COMPATIBLE. THERE IS A RESISTER THAT WE NEEDED TO ADD TO THE BUSS TO MAKE IT WORK ON ALL OF THE OTHER TYPES. BUT SINCE I RECEIVED IT THAT AFTERNOON, I WAS UNAWARE THERE WAS A PROBLEM.

THE BASIC FEATURES ARE 640K OF MEMORY, 512K OF PROGRAM MEMORY WHICH CAN BE EXPANDED ON THE MOTHER BOARD TO 1MEG, AND 128K OF VIDEO MEMORY EXPANDABLE ON THE MOTHER BOARD TO 196K. THE GRAPHICS IS AS GOOD IF NOT BETTER THAN THE OMEGA AND THE ATARI ST. THE SPEED IS ALSO EQUAL OR FASTER THAN BOTH AS WELL. THE COMPUTER WILL SUPORT THE SPEECH SYNTHESIZER AND ALL OF THE OTHER TI COMPATIBLE CARDS WITH THE EXCEPTION OF THE 32K CARD. ON THE BACK OF THE COMPUTER CARD THERE ARE PORTS FOR A MOUSE, JOYSTICK, RF MODULATOR, IBM KEYBOARD, AND A PORT FOR AN RGB MONITOR. THE OPERATING SYSTEM OF THE COMPUTER IS WRITTEN ON AN EPROM ON THE MOTHER BOARD. IF YOU COULD ALTER THE CHIP IT COULD EMULATE AN IBM, ATARI, COMMADOR, OR THE OMEGA. BUT I DON'T KNOW YET THAT THIS IS WHAT'S IN STORE FOR IT IN THE FUTURE. I AM SURE THAT WE WILL FIND OUT MORE ABOUT THIS BY THE NEXT MEETING.

PETER HELD HIS FIRST ASSEMBLY LANGUAGE CLASS JULY 9TH. THE SECOND WAS ON THE 23RD. IT MEETS AT THE HOME OF JOYCE CORKER FROM THE MAGNETIC USER GROUP IN LEXINGTON MA. IT MAY BE A VERY SLOW MOVING COURSE, BUT IT IS COMPREHENSIVE. THERE IS STILL TIME TO JOIN THE CLASS. CALL PETER HODDIE AT 861-8733 IN LEXINGTON FOR DETAILS.

WE WILL HAVE SOME VERY SPECIAL THINGS SHOWN AT THE MEETING NEXT TIME LIKE A WORKING COMPUTER, A WORKING HORIZONS RAM DISK, AND ALSO AN IBM TYPE KEY BOARD FOR THE 99/4A COMPUTER.

CORSON, SECRETARY

### AGENDA for August 19, 1986

- 7:00 - 8:00 Open Demonstrations  
New Member Registration  
Software Exchange (members only)  
Special Interest Group meetings  
    Basic Programming -- as required  
    Assembly Language -- by Dan Rogers  
    Kids Corner -- with (to be announced)  
    Video Tape Demonstration of The Gram  
    Kracker by Craig Miller of Miller's  
    Graphics and also live demonstration  
    of the Gram Kracker
- 8:00 - 8:20 Raffle  
Business Meeting:  
Approval of Minutes  
Treasurers Report  
Committee Reports  
Old Business  
New Business  
Announcements
- 8:20 - 9:30 CONTINUATION of:  
    Special Interest Group Meetings  
    and Open Demonstrations and Discussion
- Plan for September meeting:
- Other half of Gram Kracker video tape  
    With Craig Miller including Explorer  
    and other software applications.  
Continuation of other SIG's



## SOFTWARE/TEXTWARE REVIEWS

by JACK SUGHRUE

It's always exciting to learn that a new bit of textware has come out for the TI. It's even better to discover that the textware is good.

Thus, I have great news for you: *COMPUTE!'s TI COLLECTION Volume Two*. This book goes a lot farther than other *COMPUTE!* books (all of which are very good). There are dozens of programs to type in, as always, but this book teaches applications and techniques; it teaches about what is inside the machine and how to manage memory; it even teaches how to begin assembly language programming with a couple good programs. The tutorials, whether you are a beginner or not, are intelligently and clearly written. And, for the first time, *COMPUTE!* is offering the whole book on disk for those who don't want to do all the typing (\$14.95 including shipping and handling from *TI Collection Vol 2 Disk*, *COMPUTE!* Publications, PO Box 5038, FDR Station, New York, NY 10150 :: the book is \$14.95 also but can be picked up or ordered locally - mine gotten from The Open Book, Westboro).

Like all of this company's books, they are ring bound (to lie wonderfully, openly flat), printed in large, clear type in a 6x9 format. The bindings are separate so the title can go on the spine for easy library access. The programs are all done in 10-unit increments and are preceded by detailed line-by-line function descriptions, both of which I find incredibly useful for learning for typing and for debugging. A short essay describing how the program works starts each section. The authors and editors really put together a class act on these *COMPUTE!* books, though I'm still angry at the magazine for dropping us TI owners in Limbo. I no longer subscribe. These articles, tutorials, and programs are not from the magazine. They are totally new, though some of them are TI versions of excellent programs originally made for the Commodore, Apple, IBM, and Atari.

Some of the programs include a very useful spreadsheet called *MitiCalc*; a *Sketchpad* that is really a picture construction kit of more than a hundred redefined character blocks using SHIFTed, CTRL, and FCTN keys; a simple word processor which is ideal for notes and memos and operates (rather quickly, surprisingly, out of BASIC or XB, no disk-drive or expanded memory necessary; a good (but slow) screen dump; demonstration program to show how the Input/Output of your joystick port works; a program which lets you understand a little about artificial intelligence (which I thought was really frustratingly wonderful); record-blocking program with an excellent tutorial.

There are some programs that get you into graphic design and character definition; programs that are educational and fun; programs in assembly.

But fun for the joy of it is also a big part of this book. Games include *Labyrinth*, *Spitfire*, *BOB'L*, *Speed Demon*, *Blackjack*, *Flood Waters*, *Macro/Micro Maze*, and *Mad Hatter Ladder*.

Labyrinth is a five-story, 125 room, hotel-like maze. You have to find the one escape door and you have to do it quickly.

Spitfire puts you in the cockpit with the mission to stop the incoming enemy bombers from blowing up your country.

B06'L is like Boggle, the Parker Brothers game. This is really well done. You'll love it, if you are into word games.

Speed Demon is a 3-D car racing game. Arcadelike. Operated very quickly from the arrow keys.

Blackjack allows one or two players and is a good simulation of the casino game.

Flood Waters is weird. A giant faucet opens up in the sky. A pair of dice rolls. A red ball starts descending. You must act FAST to prevent drowning.

Macro/Micro Maze is sort of a cross between Star Wars and Cat and Mouse with a bit of Dragon thrown in. It really offers a challenge (meaning that you get frustrated a lot at first, but you can succeed by lots of persistence and intelligence).

Mad Hatter Ladder has a Donkey Kong flavor with a little cocoo thrown in. You have to help the hatter leap buzz saws and avoid flames as he works his way up the odd stairs through the four stories (levels) of his mad home.

If any of you have been aching to sink your teeth into another great TI book from COMPUTE!, this is just what the doctor ordered. Well worth the price (even the disk price).

\*\*\*\*\*

### LIBRARY NOTICE

Please return all borrowed materials to the MUNCH library at each meeting. This will give other members a chance to enjoy our collection of "text ware" as much as you have !!! THANK YOU !!

#### RANDOM BYTES

\*\*\*\*\*

WANTED: Upgrades on 1984 TI Tax Plan put out by Aardvark Software (now owned by McGraw Hill). Write to Al Cecchini at the MUNCH Group address.

Looking for used 300 Baud Modem, acoustic coupler or direct connect. Contact Brad Clark at 617-886-2188.

\*\*\*\*\*

## PRESIDENT'S MESSAGE

The tour at OMNI Resources will be on August 23rd at 10:00 in the morning. Right now the tour is full. If you aren't on the list, and want to go, check with me a few days before the tour to see if anyone dropped out at the last minute. I know this will be lots of fun for all who attend.

If anyone has an idea for another place for an outing, let me know. It's always nice to get the group together on new turf.

It's that time of the year again, election preparation time. At the August meeting we must form a nominating committee to assist in the election process. It will be the committee's responsibility to put together a slate of officers to vote on at the October meeting. The offices to be filled are President, Vice President, Secretary, and Treasurer. The nominating committee can nominate members, members can nominate other members, or you can nominate yourself.

Please try to give all selections to the committee by the September meeting so we can announce the candidates.

I'm sorry, but I will not be able to run for office again this time. The change in my work schedule along with other personal priorities changing, doesn't allow me enough time, and at the required times, to do the President's job effectively. However, I will continue to add to the newsletter on a regular basis and will also be able to run tutorials and demos at the monthly meetings. There is definitely no lack of interest on my part, just lack of time.

I have been using PR-BASE for my data base management system. If any of you would like me to run a demo and tutorial on how to use this fast searching and fast sorting program, please let me know at the next meeting. Since we have the Millers Graphics video this month and next, it would give me the time necessary to set up the tutorial and demo properly. This is just one of the very fine fairware programs available to you through our library.

In the book Jack Sughrue reviews this month, "COMPUTE!'s TI Collection Volume Two", there is a program called "AI with TI". This program and its explanation of operation show how artificial intelligence really works on a small scale. Texas Instruments has been working with artificial intelligence for some time now. Hope to get this program typed in for a future demo and explanation. It's quite the thing.

Hope to see you at the August meeting.

----- Bruce Willard, Pres. -----



THIS PROGRAM WILL DISPLAY THE MONTH TO MONTH PAYMENTS ON A LOAN.  
 IT WILL RUN IN TI-BASIC. A COPY OF THIS PROGRAM IS IN THE LIBRARY.  
 THE LIBRARY VERSION GIVES YOU A PRINTER OPTION FOR A REPORT.

"MORTGAGER"

```

100 REM  REWRITTEN BY CONSON WYMAN   JULY 7, 1986
130 CALL CLEAR
140 PRINT TAB(4); "AMORTIZATION SCHEDULE" : "-----" : " : : : : :
150 PRINT "   ENTER AMOUNT BORROWED" : :
160 INPUT T
170 CALL CLEAR
180 PRINT TAB(6); "ENTER NUMBER OF" : : TAB(6); "MONTHLY PAYMENTS" : :
190 INPUT N
200 CALL CLEAR
210 PRINT "ENTER INTEREST RATE (%)" : :
220 INPUT I1
230 I=I1/1200
240 P=T*(1/(1-(1+I)^-N))
250 P=INT(P*100+.0005)/100
260 CALL CLEAR
270 PRINT "*****" : :
280 PRINT "BORROWED AMOUNT $" : T : :
290 PRINT "ANNUAL INTEREST RATE" : I1 : "%" : :
300 PRINT "COMPOUNDED 12X PER YEAR" : :
310 PRINT "MONTHLY PAYMENT: $ " : P : :
320 PRINT "*****" : : : :
330 PRINT "ENTER (R)EDO"
340 PRINT "FOR THE YEARLY CALCULATIONS"
350 INPUT "PRESS ENTER TO CONTINUE. " : H#
360 IF H#="R" THEN 130
380 CALL CLEAR
390 PRINT TAB(4); "BEGIN" : TAB(13); "INTR" : TAB(21); "PRIN"
400 PRINT "YR" : TAB(4); "AMOUNT" : TAB(13); "PYMT" : TAB(21); "PYMT"
410 PRINT "-----" : TAB(13); "-----" : TAB(21); "-----"
420 FOR J=1 TO N/12+1
430 PRINT "YEAR>" : J
440 FOR K=1 TO 12
450 T1=INT((T*I+.0005)*100)/100
460 T2=INT((P-T1)*100+.0005)/100
470 IF T<0 THEN 510
480 IF T1<0 THEN 510
490 PRINT K : T : TAB(14); T1 : TAB(21); T2 : :
500 T=T-T2
510 NEXT K
520 PRINT
530 INPUT "PRESS ENTER TO CONTINUE..." : H#
540 NEXT J
550 INPUT "REDO (Y/N)" : ANS#
560 IF ANS#="Y" THEN 130
570 END

```

LIBRARY NOTICE

With the increased demand for the newer TI-99/4A related books we must request book loans to be only one month. If you have any books on loan please bring them to the next meeting. If you can't make it to the next meeting please ask a friend to return the book(s). Thanks! This gives everyone a better chance to see one they haven't seen yet.

MUNCH OFFICERS AND NUMBERS (all in 617 area)

---

President	Bruce Willard	852-3250
Vice President	Norman Abare	297-2100
Secretary	Wm. Corson Wyman	839-5116
Treasurer	Jim Cox	869-2704
Editor	Jim Murphy	756-9900
Asst. Editor	Brad Clark	886-2188
Hardware Chair		
Programs Chair		
Adv Prog. Chair	Dan Rogers	248-5502
Club Reviewer	Jack Sughrue	476-7630
Library	Al & Lisa Cecchini	
Software Library	Don Mason	754-6630
	Hector Beaudreau	
Mail & Messages	Direct to Editorial Staff	

\*\*\*\*\*

This article came from the May 1986 issue of The SNUGLETter, Southern Nevada Users Group.

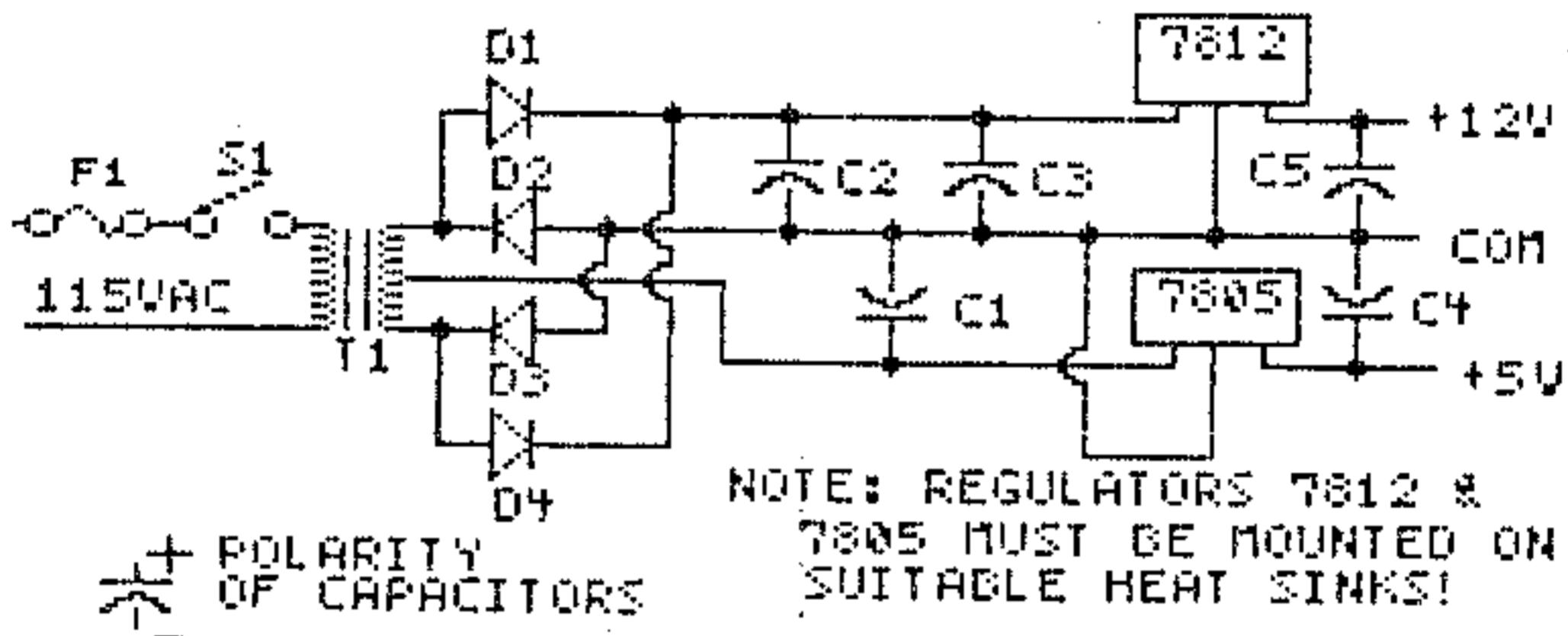
**EXTERNAL DISK DRIVE POWER SUPPLY** by Ken Gladyszewski - Cleveland Users Group

When I bought a case and power supply for an external disk drive, I was amazed at how simple and uncomplicated the power supply was. I present the circuit and parts list here for those wanting to build their own, because they already have most of the parts. These parts are expensive and total \$21 (without a recommended on-off switch and fuse.) Better and less expensive complete power supplies or these same parts can be purchased from a surplus house by mail. Sheet metal enclosures can be obtained similarly. Any power supply with 12 volts DC at 1.0 Amps min, and 5 volts at 0.5 Amps min. should power most any single full height drive (But not all - Editor.)

The following is a list of the parts with Radio Shack's part numbers and prices.

	QTY	DESCRIPTION	PART NO.	COST
T1	1	TRANSFORMER	273-1515	\$6.99
		18V CT at 2.0A		
C1,C2,C3	3	CAPACITOR	272-1020	\$2.49 EA
		2200 microfarad at 35V		

C4,C5	2	CAPACITOR	272-1016	.79 EA
		100 microfarad	at 35V	
D1-D4	4	3 AMP BARREL	276-1143	2/\$.89
		DIODE IN5402		
7805	1	5V FIXED	276-1770	\$1.59
		REGULATOR 7805		
7812	1	12V FIXED	276-1771	\$1.59
		REGULATOR 7812		
F1	1	FUSE		
S1	1	SWITCH		



## FUNLPLUS!

Jack Sughrue has developed a 720-sector floppy called *FUNLPLUS!* which he will be releasing on the Fairware market in October. The disk contains programs, templates, new codes, tutorials, reviews, and such things as banners, calendars, minidumps, Pig-Latin writers, labelmakers, active cataloguers, etc. Things you never dreamed possible on one 5SSD diskette of 38 total files!

This disk gives all the docs necessary to create this user-friendly environment within the *FUNLWRITER/DN1000* structure, distributed as a bonus on this new PD floppy disk.

This whole fully-documented and fully-debugged environment can be had by sending \$8.00 to Jack Sughrue, Box 459, East Douglas, MA 01516. The disk and mailer will be paid for by Sughrue. Or see Sughrue at the meeting where members may receive the above for \$7 in August only.

\*\*\*\*\*

**" . . . RAFFLE . . . RAFFLE . . . "**

The July raffle was won by Jim Cox and consisted of a ten-pack of Onni disks.

The raffle for August will be a choice between a spare TI keyboard or cassette software.

Your M.U.N.C.H. officers have found a void in the Worcester area in the lack of a TI Bulletin Board System. We are presently putting efforts forth, in research and Sysop training, to bring a high quality, quick response BBS to the Worcester area.

Why am I telling you all this in the RAFFLE column? Because the Group had donated to it, by Mr. Corson Wyman, a 300 baud modem and cable, strictly for the raffle. Lets crowd the meeting room so we can raffle off the modem. It will be brought out as an extra item for the winner's choice ONLY if we have a large enough turnout to make it worth while.

The raffle is open to all who attend. The drawing will be held just prior to the business meeting. Remember:

**\*\*\*\*\* YOU MUST BE PRESENT TO WIN \*\*\*\*\***

**Bruce Willard, Pres.**

## NEWSLETTER STAFF

---

Don Mason  
30 Princeton St.  
Worcester, Ma. 01610

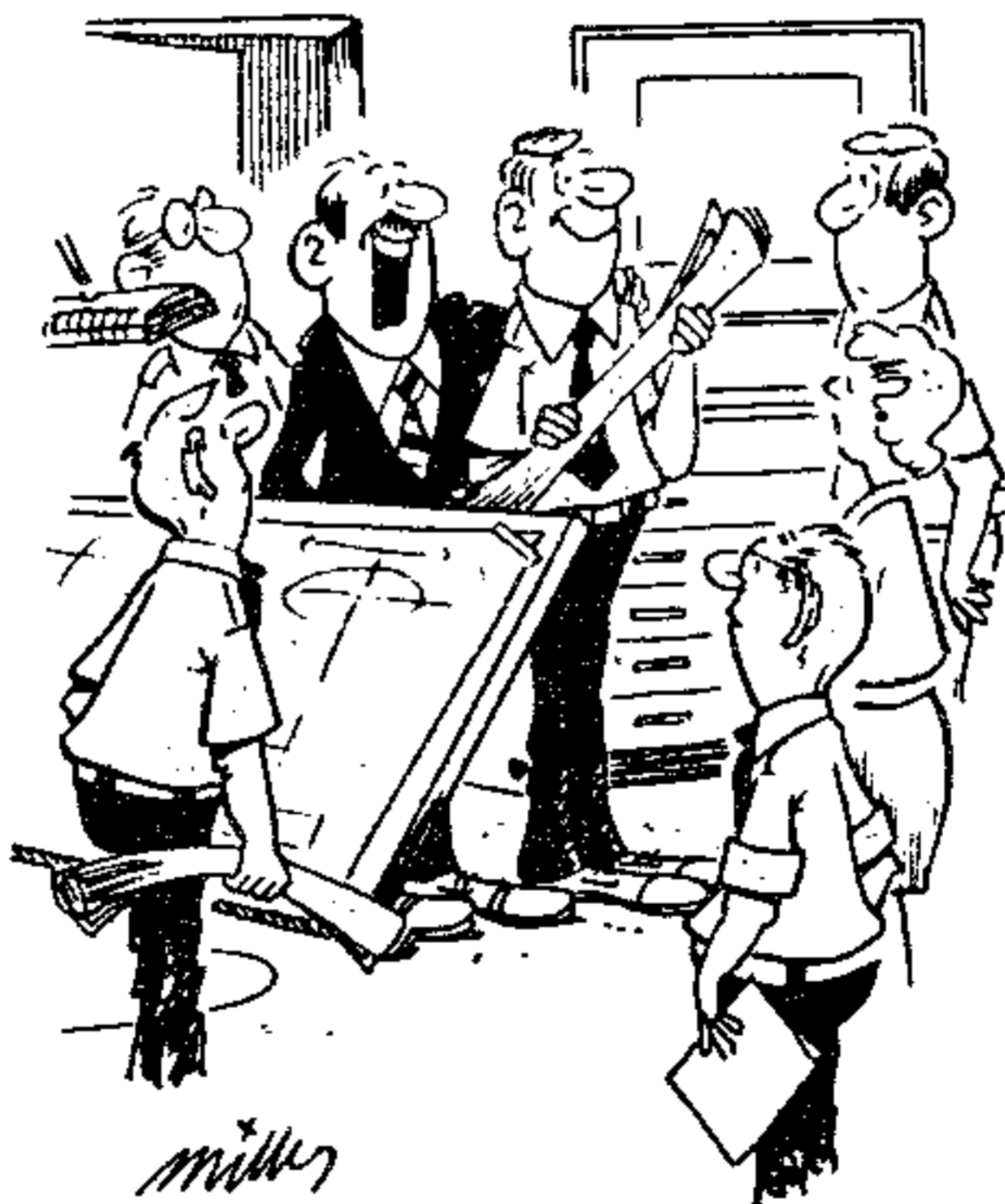
Bruce Willard  
1 Marmion Ave.  
Worcester, Ma. 01606

Bob Doyle  
210 Sewall St.  
Boylston, Ma. 01505

M.U.N.C.H.  
P.O. Box 7193  
560 Lincoln St.  
Worcester, Ma. 01605

Jim Murphy  
21 Annisquam St.  
Worcester, Ma. 01602

Brad Clark  
Paddock Road  
Rutland, Ma. 01543



*"Let's hear it for Ed Firmly . . . Ed's  
designed a system that will replace  
this entire engineering department!"*

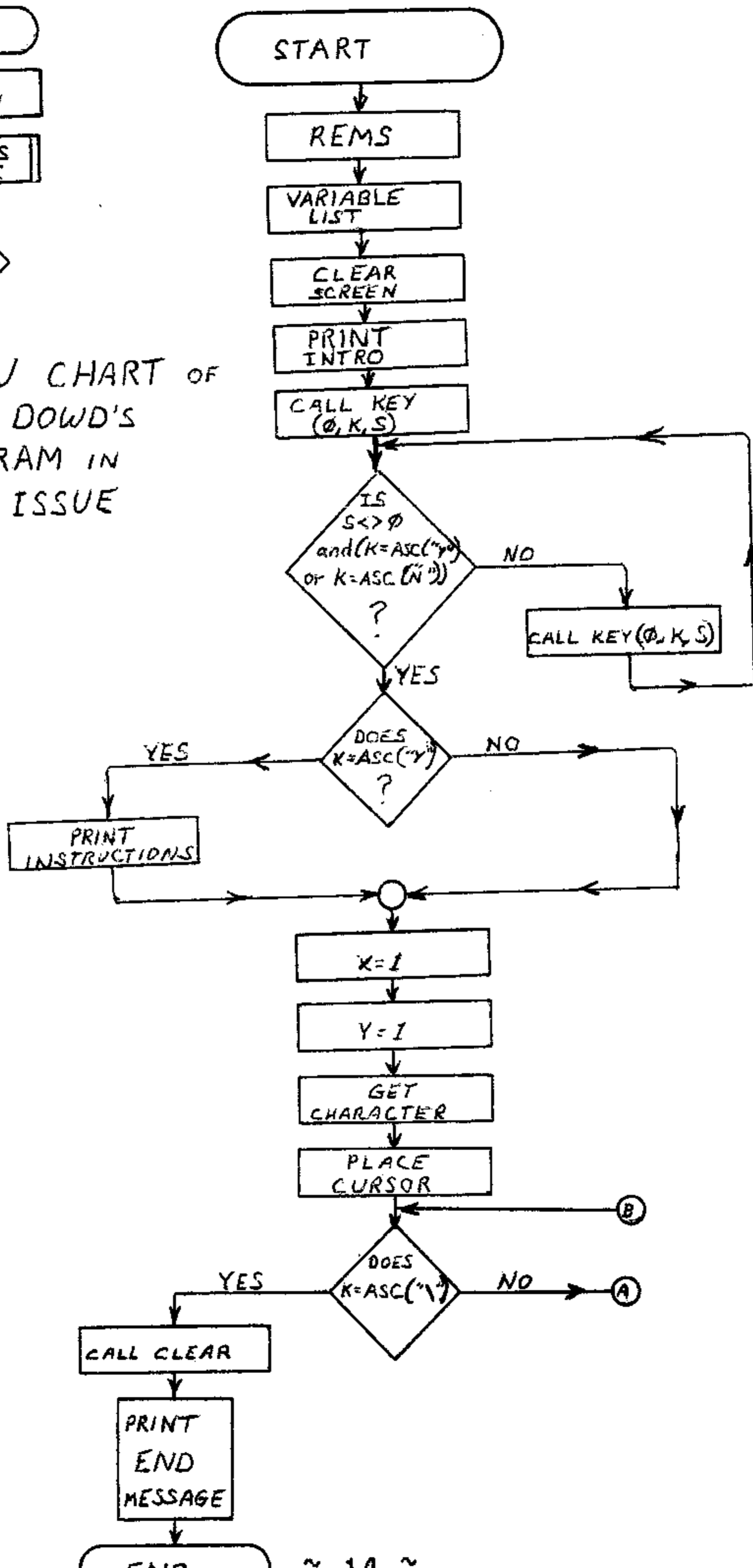
START/END

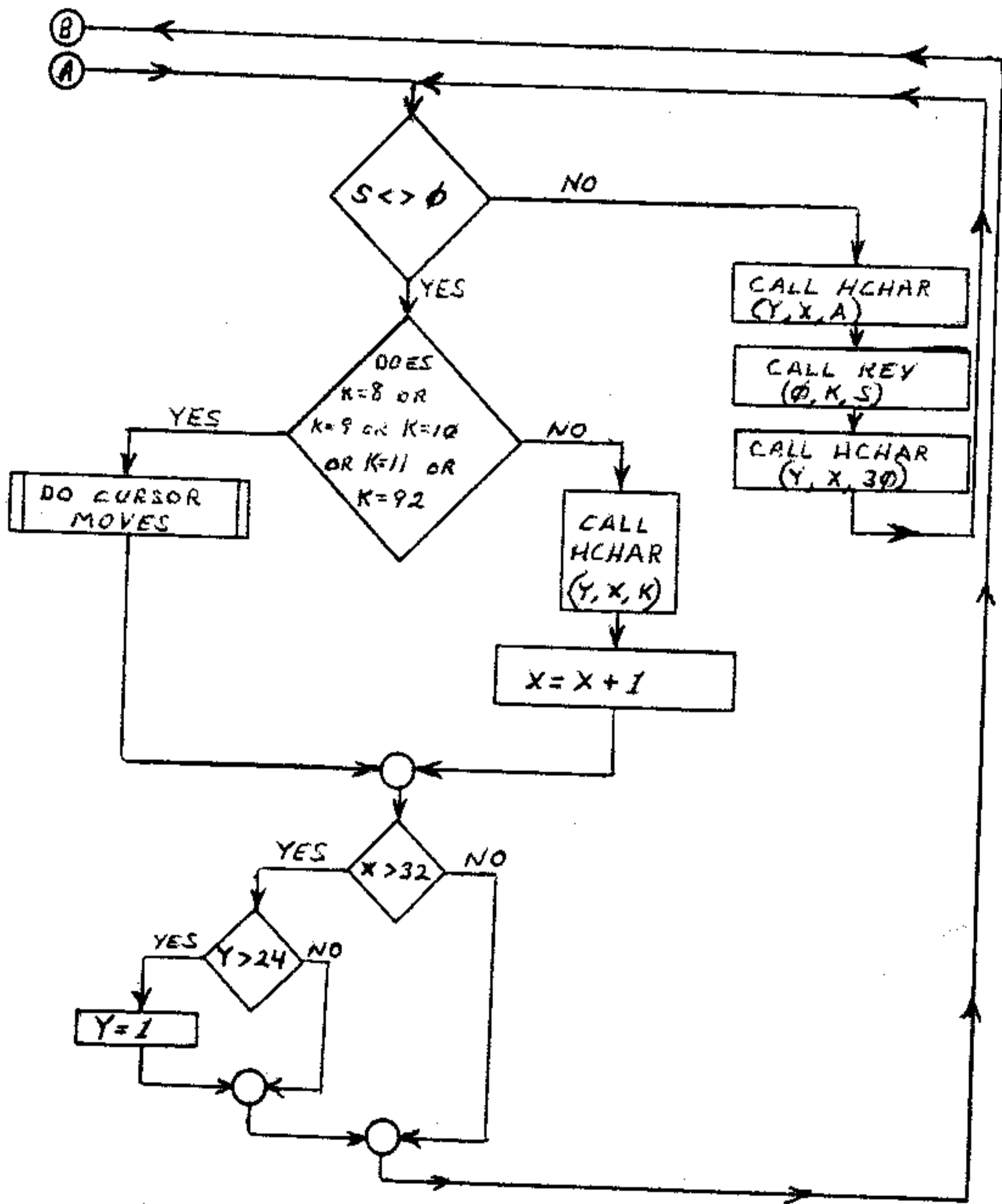
INSTRUCTION

DESIGNATES A ROUTINE



FLOW CHART OF  
JOHN DOWD'S  
PROGRAM IN  
JULY ISSUE





M.U.N.C.H.

P.O. Box 7193

560 LINCOLN STREET

WORCESTER, MA. 01605

First Class

\*\*\*\*\*  
IMPORTANT NOTICE  
\*\*\*\*\*

August meeting will be on August 19, 1986  
at University of Massachusetts Medical Center  
(Come to the VISITORS entrance and follow the signs for MUNCH...)