

Ryte  
Data.....

BOX 210 MOUNTAIN STREET  
HALIBURTON, ONTARIO K0M 1S0  
CANADA

Dedicated to 99/4A and 9900 Computer Systems

2.00  
VER 1.7  
DEC. 1985

## R/O COMPUTING NEWSLETTER

# HAPPY NEW YEAR!

The magic number seven. Throughout the ages, people have associated this prime with many philosophical, esoteric and psychological concepts. Seven year cycles, religious connotations, the seven pillars of wisdom, seventh heaven etc. Humans can hold seven items of data in short term memory without dropping a digit. We only expected it to take seven months to go from prototypes (up & running as noted earlier) to production models with the new Myarc 256k computer.

With changes in chips and video display circuits, it has taken far longer. That's life! For "non-believers", that's the industry as a whole.

Patience is a virtue - and a burden. Seriously though, the new machine should hit the streets in the first quarter 1986. With all the new products coming out for the 4A it is very obvious that afterlife support continues. Do you know any TI owners who have closeted their machine? How about those that don't receive any of the publications that support the TI?

We've found that many people don't know about Micropendium or Super 99, TRAVeler, Mini-Mag etc. (by the way, does anyone in CA have a line on MM99?).

Now with devices coming out that give all owners more capabilities, it is possible to change the characteristics of the 99/4A completely. Having used other machines with fast Basics, the 4A is 'quite' slow being double interpreted. We're working on a device to change THAT aspect.

How's that? TI's operating system allows for an extension through the module port which was not fully decoded. Other O/S areas also could use some further decoding and updates. More on all this later.

**MAXIMEM REVIEW:** The developer of the "MAXIMEM Universal Module" has provided a new capability to this device. We have received the new version which now supports cassette based units without the need for memory expansion or disk system. This opens up several new areas for ALL 99/4A owners.

This device was developed by the efforts of Guy Gournay, an electrical engineer with a Masters in computer science. He wanted to back up his software library so that he would always have a good copy of all software he had purchased. When friends asked for the same capability, MAXIMEM was brought to production. Please note that this device is not a piracy tool - it allows owners to LEGALLY BACKUP their modules. [I recall spending many dollars on TI module software in "the old days".] People using such devices to distribute illegal copies jeopardize themselves and the designer!

The device has gone through rigorous beta testing over the past six months. One user had written us with advance info on the device - noting the wide uses and very capable operation over a four month period - with NO problems.

Our experience indicates that the quality of this device is right up with the best products on the market. Following is a description of the operation of MAXIMEM and further capabilities this new device allows.

MAXIMEM comes with 48k of memory in a 4" x 7" x 1" case that plugs into the front module port. When you power up, the switch set to "E", the unit presents the title screen with "MAXIMEM UTILITIES" in place of 'Texas Instruments'. You are given

the options of choosing:

- 1 FOR TI BASIC
- 2 FOR MAXIMEM
- 3 FOR EDITER-ASSEMBLER
- 4 FOR MAXIMEM CS1

Pressing #2 causes the disk drive to run "ONE MOMENT PLEASE" is displayed and a menu screen is displayed which provides you with a catalogue of any modules on the disk. Initially you are given a demo of running/creating your own "module" or running a one pass backup program.

When you choose your own module, it is loaded from disk and returns to the title screen (with 'Texas Instruments' this time). Pressing any key then goes into a text display. Source code is on disk to write any routine you want - similar to the E/A module upgrade. Going back to MAXIMEM reveals that you now have Option 5 with your "module" now in MAXIMEM's memory for selection! Any program utilities can be loaded into the memory in this fashion.

With the switch set to "M" the module loaded will be offered as choice #2 from the Title/Menu screen - it is held in the MAXIMEM memory until you power down.

The designer informs us that battery backup and 80k of memory are being added to the device in the near future.

Full instructions are included with each unit to download any module for the 99/4A. It is best to have a Navarone Widget OR a interrupt and reset switch for tech types. You can download ANY module to disk so all software can now be diskbased. With planning, your most used programs can be on one disk. Modules can be GROM or EPROM types. It is fairly easy to unload a module to disk. Cassette only users do need a friend with a disk unit to run programs from cassette.

ALL module functions continue to work - Show Directory from TI Writer, E/A loader etc. This is especially nice for those who change modules frequently or wish to modify programs to suit other needs or require disk only operation.

This new direction in hardware opens the TI 99/4A up to serious improvements and consolidation of resources available. Most important, it allows module backups!

## Maximem II

At this time we are able to offer readers MAXIMEM units with printed documentation for \$199.00 Canadian funds plus a disk of instructions and utility software. Include \$16.00 for shipping handling and First Class Delivery. A \$4.00 for Special Delivery handling.

We have two new programs burned on EPROMS that provide some new potential for the TI system: First one is a disk manager that allows QUAD DENSITY. That's right! About 720k per drive using 80 track drives. As with some of the other nifty stuff, this comes from H. Martin in West Germany as well. We are exploring doing the translation of screen instructions and examining the design to alter a TI disk controller. Yes, the spare TI DDC's may have a use in this life Real Soon Now. Availability and price have not been set due to the alterations required to offer this product in North America at this time.

By the way, for those that have asked, that slightly "cynical" phrase comes from Jerry Pournelle - the engineer, computer writer / enthusiast and science fiction author. Being so typical of products which are announced (and NEVER reach us lowly users), I find appropriate to use with products that haven't been marketed, are not quite available and/or may never see the light of day. It often comes down to response.

Recall that Commodore was legally enjoined from announcing products prior to being really available (or even possible in some cases!). In all this, wherever the phrase is used, you will be advised when such items become available. As this is supposed to be a "newsletter", we do report on projects in progress and new products coming on line. Sheer vapourware is culled until received for review or a prototype photo comes in. Fair enough?

Okay; the other program is called "CONVERT" and allows you to enter M Basic programs via TI Writer and convert them to TI Basic - and visa versa! Having seen many programs that would be nice to key in for 'other' machines, this program gives TI owners another source of software and utilities beyond the norm. More complete information will be available next issue.

Note that other devices and software reported on are now on-line. Pure vapourware is not the operative condition here. (Opinion is the lowest form of wisdom.)





## EUROWARE

171 Lands End Ct.  
Vallejo, CA 94591

### Euroware for unique and different programs

#### SUPER ASTROLOGY

A program to find the values of astrological data for the construction of a natal and progressive horoscope. To utilize this program only your birth data must be entered. The package performs the computation of cusps of Placidian houses, positions of planets in the horoscope wheel, and their aspects. The program computes: 1) Julian's data, 2) sidereal time of birth, 3) locations of house cusps, 4) positions of planets by sign and house, 5) House cusps - overlay pattern, 6) aspects of planets, 7) transits of planets. With EXT-001P version results can be printed but 32K memory expansion box (or comparable memory expansion) is required.

EXT-001 TI-99/4(A). Extended Basic. Cassette. Price: \$39.95.

EXT-001P TI-99/4(A). Extended Basic. Cassette. Memory expansion required. Price: \$39.95.

#### HIGH LEVEL MATH PROGRAM

A program designed for scientifically oriented users such as university students, mathematicians, engineers, architects, etc. Solves problems of n-th order polynomial rootfinder, multidimensional integrals, the n-th order matrix operations (det, inverse, simultaneous equations, addition and multiplication, etc.), systems of differential equations, orthogonal polynomial approximation and others. Cassette, on 2 sides. Side 1: 1) Romberg integration, 2) Zeros of a function, 3) polynomial rootfinder, 4) first and second order differential equations, 5) convolution, 6) multiple integrals, 7) discrete Fourier series. Side 2 contains: 1) determinant of a matrix, 2) matrix inversion, 3) solution of simultaneous equations. Chapter 3 of High Level Math also includes a Complex Matrix Math program. With this program you can perform operations with matrices which contain complex and/or real elements. This program performs operations such as determinant of a matrix, matrix inversion and solution of simultaneous equations. A truly powerful and unique program.

EXT-003 TI-99/4(A). Cassette. Extended Basic. Price: \$39.95.

TIB-003B TI-99/4(A). Cassette. TI Basic. Price: \$39.95.

#### APPLIED STATISTICS

A program that covers the entire area of statistical analysis of stochastic data sets. This program may be used for data analysis in many areas of life--from scientific experiments through production analysis to social studies. This means that this package is a truly universal tool for the solution of these types of problems. The package is divided into eight programs which contains the following: 1) Means and Moments; 2) t-Statistic Evaluation; 3) Contingency table analysis; 4) Analysis of Variance; 5) Histogram Construction; 6) Rank Sum Tests; 7) Regression Analysis; 8) Statistical Distributions. This is the best statistics program on the market today.

EXT-008 TI 99/4(A). Extended Basic. Cassette. Price: \$39.95.

TIB 008B TI 99/4(A). TI Basic. Cassette. Price: \$39.95.

Be sure to include program number when ordering  
Cash, check, or money order. Add \$2 for shipping and handling.

As advertised in Home Computer Magazine

Lets see, where were we. Oh yes, another soapbox... recently several users groups have been exchanging newsletters. Thank YOU one and all. I suppose the "public" announcement by Myarc has an effect... as in 'it wasn't really nonsense' folks. Some of the feedback after the June CES was less than "kind" - it made a liar out of previous data published. Yet many users/groups went to that show independently based on info direct from Myarc. What ever happened to the Tex/Cor Comp machines that were announced in Micropendium? We can't get an answer from anyone out there!

Another issue is piracy. We've seen programs - written at great expense - that are commercial in nature GIVEN to us by some "respectable" sources. Freeware goes out totally free. Touchy subject. The approach taken by TI effectively kept a lot of programs unpirated. Seems part of the attitude among pirates (thieves) is that an orphaned computer does not need any viable market. A comment in one area noted that the User Group Programmes being set up by Navarone, DataBiotics and others must be because "business is bad." From personal experience, I know that MANY MANY TI owners are not members of any users group AND many users groups are not aware of new products, upgrades or expansions that are possible.

If you don't like the price of current TI software - buy another machine! Then you have the privilege of paying BIG DOLLARS for "professional" software. Like \$192.50 (wholesale) for WordStar on an Apple or \$237.00 (wholesale) for Supercalc on an IBM. Perhaps software at stereo record prices would "do it" - but only when everyone had the machine to play it on and bought the hits. It is costly to develop software beyond the homegrown level. This is not to say that owners don't write great stuff, but protection schemes often exist in our 99 universe due to the fact that most of the companies WENT OUT OF BUSINESS contending with TI dumping modules and rampant piracy.

The St. Louis 99ers suggest a policy of UG Ware - users groups publishing and marketing software through the groups. A worthy goal. Seems to be working for the Ottawa group with DM-1000. They are also working out TI-99/4A Users Association of Canada. With over 30,000 registered owners (warranty cards) in Canada, they do have a long road ahead.  
DM-1000 Ver 2 (a disk manager) is available from The Ottawa User's Group

PO Box 2144 Station "D", Ottawa, Ontario K1P 5W3 as shareware.

We have a list of other freeware for those interested. Write for a copy. Great stuff all in all.

UPDATE: While on the subject of fr ware - shareware, fairware etc. - we have the "C" Compiler from Clint Pulley noted last issue. He wrote noting that he had offered the programs as fairware and the notice was changed by others. This has caused a certain problem in that he is spending time copying disks and dealing with distribution rather than working on the 'C' programming. Two FULL disks are sent with the package - 358 sectors each. A great deal of documentation is included with source code and other programs. One is a TI Writer loader operating from Mini Memory that includes Show Directory and Recover Edit! (Nice work.)

We offer copies of these disks on the basis of sending two initialized disks (or one DS/DD), a self-addressed disk mailer and \$5.00 for Special Delivery postage. You are asked to send \$20.00 to:

Clint Pulley  
38 Townsend Avenue  
Burlington, Ontario L7T 1Y6 Canada  
for the work involved. Updates will be made available to fairware customers at extra charge. Do it!

We heard from some users that Myarc was going to support CP/M - obviously they confused this with 'C', which is becoming the language of choice. The programming language 'C' is a compiled, portable language that UNIX is written in. Many industry opinions hold that UNIX is the next major arena because 'C' is fast and supports multi-user systems. It is a structured language similar to Pascal with added features. It allows a software developer to write the code once and bring it over to other machines which support a 'C' Compiler and libraries.

Several of the best selling main stream industry programs are written in 'C' because of its speed - nearly that of assembly code without the complexity and machine dependent limitations. This new development for the TI 99/4A is unusual and indicates the untapped potential of our favourite home computer. Great work!

The translation problem has been solved. Hats off to Henri Schlereth who has been able to clarify many of the tips, articles and projects coming out of West



# Schedule Manager

BY: JOSEPH TRUDELL

© 1985  
ASGARD  
SOFTWARE

Software that truly meets the needs of a productive worker (businessperson, office employee, homemaker, student, etc.) is as scarce as proverbial hen's teeth for the TI-99/4A user. The category of software that lets the user perform a task on a computer easier than by hand is almost nonexistent, with the exception of a few word-processors, spreadsheets, data-base programs, and utilities. That's why we at Asgard Software are particularly proud to introduce to you the newest addition to this very short list, SCHEDULE MANAGER. SCHEDULE MANAGER'S capabilities are impressive. It sports three major functions, that of a large appointment book, a useful calendar, and a handy notebook. All are integrated to a degree never before seen in TI-99/4A programs. For example, data from one function can be passed to the others with a single command. Such power is not otherwise available on programs costing less than \$250. Power isn't everything...If a program is too difficult to use, it doesn't matter how powerful it is. That's why we made SCHEDULE MANAGER about the easiest to use TI-99/4A program in existence. It features complete pull-down menus and interactive windows straight from a certain well-known Apple computer, a powerful and extensive "HELP" utility for whenever you need help with any of the terms used in the program numerous prompts presented in ENGLISH which mean what they say, and of course, much, much more. Asgard Software didn't leave out usefulness either. The program has over 16 different menu options for easily using and maintaining your information, ample storage space for most needs, a full-screen editor for entering data quickly and easily, multiple appointment book capability, complete print options, and assembly language speed. Overall, SCHEDULE MANAGER is excellent for keeping a weekly, monthly or quarterly schedule, keeping lists of names and phone numbers (among other things), and even maintaining a log of expenses. It's a worthwhile and affordable investment for any user. It requires Extended BASIC, a 32K memory expansion unit, and a single disk drive. A printer is purely optional. SCHEDULE MANAGER can be obtained directly from us, or from your local Asgard Software dealer. Oh yes, it's unprotected too...

**POB 10306,  
Rockville MD 20850**

## System Interface chip.

This is unusual in that no other designs we've seen use this chip on a PE card. Quite flexible and sophisticated approach to system interface. This is the same chip discussed in the joystick port ideas - further illustrating the versatile applications possible. All parts and lines are listed on the diagram as shown. With more development, this type of design can form the base of a programmable home control and data acquisition system running out of the PE Box.

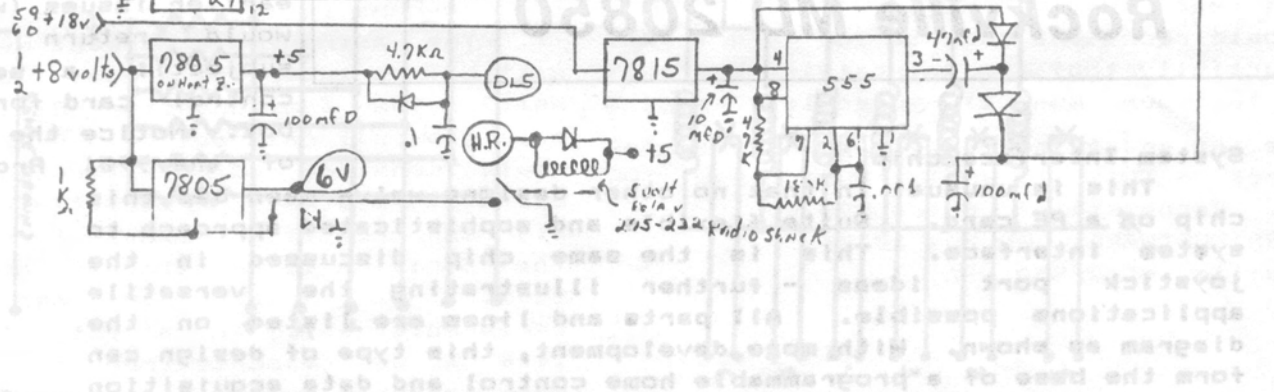
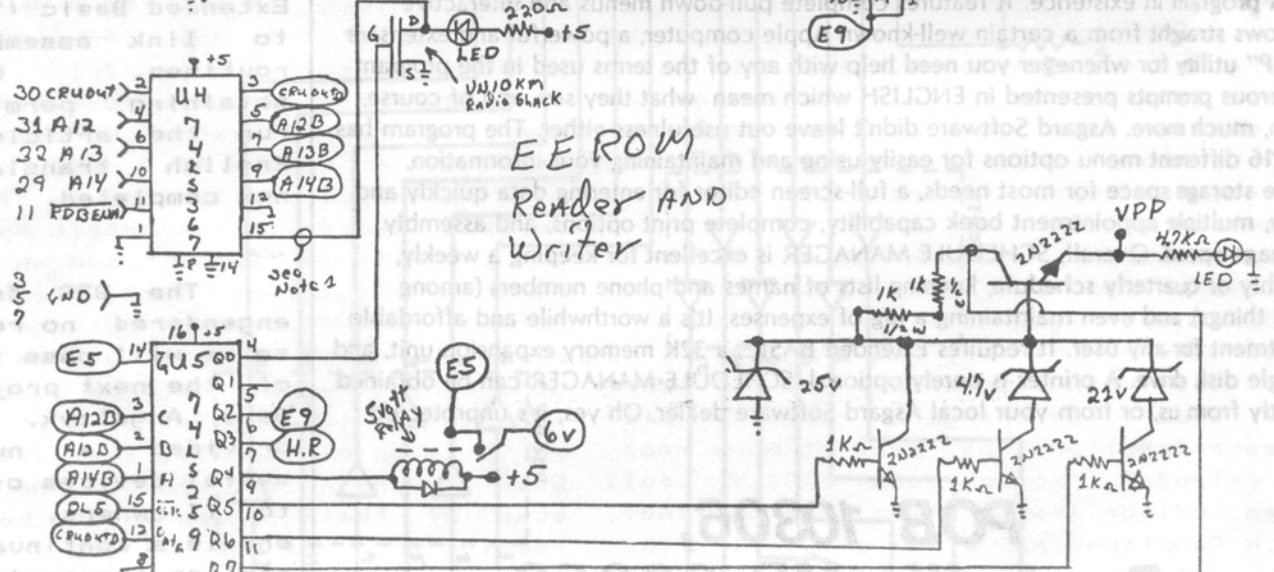
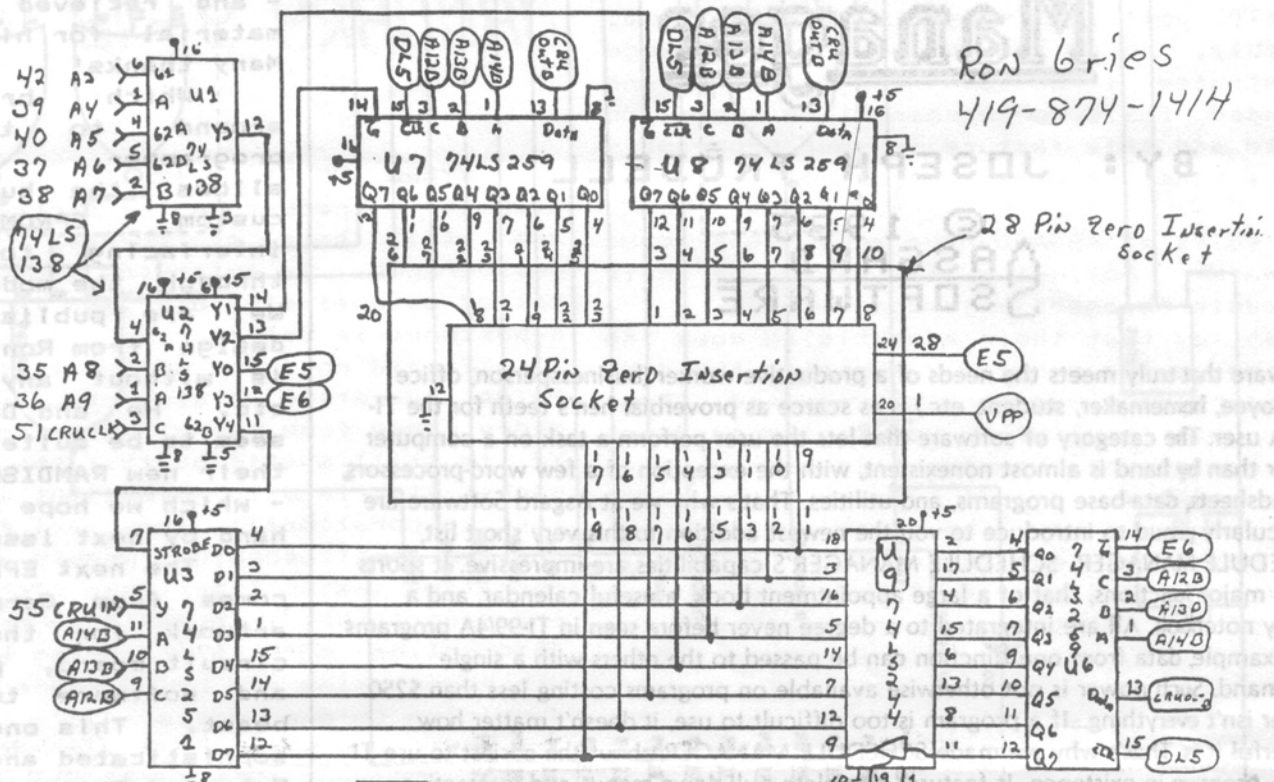
Germany. He is beta testing different products and doing both in-house and publishable German to English. He had written a letter with fair comments - and received PAGES of material for his trouble. Many thanks!

Which brings us around to the EPROM programmer. This one allows the burning of custom EPROMS for interfacing to the TI through the module port. We are publishing the design from Ron Gries as is without any software etc. He and David Romer seem to be quite busy with their new RAMDISK project - which we hope to have in hand by next issue.

The next EPROM design comes from Germany with artwork for the printed circuit board, parts list and software to run the beast. This one is more sophisticated and uses the Extended Basic (TI or II+) to link assembly code routines. We are obtaining permission to run the article as the English translation is now completed.

The BBS device has engendered no response - so we will pass in favour of the next project from Gene Angelzyk. He has provided a number of useful devices of interest to TI owners. The first one is a continuation from earlier issues (we said we would return to this subject): a sensor and control card for the PE box. Notice the inclusion of the 9901 Programmable

Ron Gries  
419-874-1414





ASGARD SOFTWARE informs us that they sell a lightpen and three software programs for the TI. The ASGARD LIGHTPEN is a high quality photo-receptor; an alternate input device for games, utilities and education programs. The device attaches through the joystick port and is used with Basic, XB, Assembly, Forth and Pascal. The package illustrates it's use through Basic and Extended Basic. Documentation shows you how to add this feature in your programs - with a money back guarantee. \$18.00

The folks at ASGARD have some other good software. Following is a review of their "Schedule Manager" - just received.

I must say that their advertising does do justice to the program. Getting the disk up and running was straight forward. Even better was the EASE OF USE. I'm no dummy but some of the programs I've seen... even documentation doesn't carry the day sometimes. Here, the instructions are well written, clear and useful.

Within literal minutes I was able to use most of the functions, update information, print it out, move data and create a true schedule over several weeks of a busy life. It is easy to use. The documentation also rates highly. No weird instructions or program complexities that did not perform as advertised. In first reading the documentation, the only thing I would like to see is an illustration of the screens that come up. (An interrupt clock feature would be neat for the times you need a time reminder... just a suggestion guys.)

The speed is amazing! Menus and function selections come up FAST. Keys are only up/down left/right enter and function 9. It is one of the very few programs I've found that are fast enough to be more useful than doing things by hand. It also has some functions that make it more handy - a calendar, moving data EASILY, full screen editor (rather than line by line), search functions and a "Help" utility that works really well.

I would recommend that if you need a real productivity tool for maintaining a weekly (up to four months) schedule, keeping names and addresses etc., appointment book records - THIS IS WORTH MORE THAN THE COST. Recommended! Price \$29.95

ASGARD SOFTWARE, PO Box 10306,  
Rockville, MD 20850 USA.

# MYARC TO SHOW 256K COMPUTER AT CES JANUARY 9-12

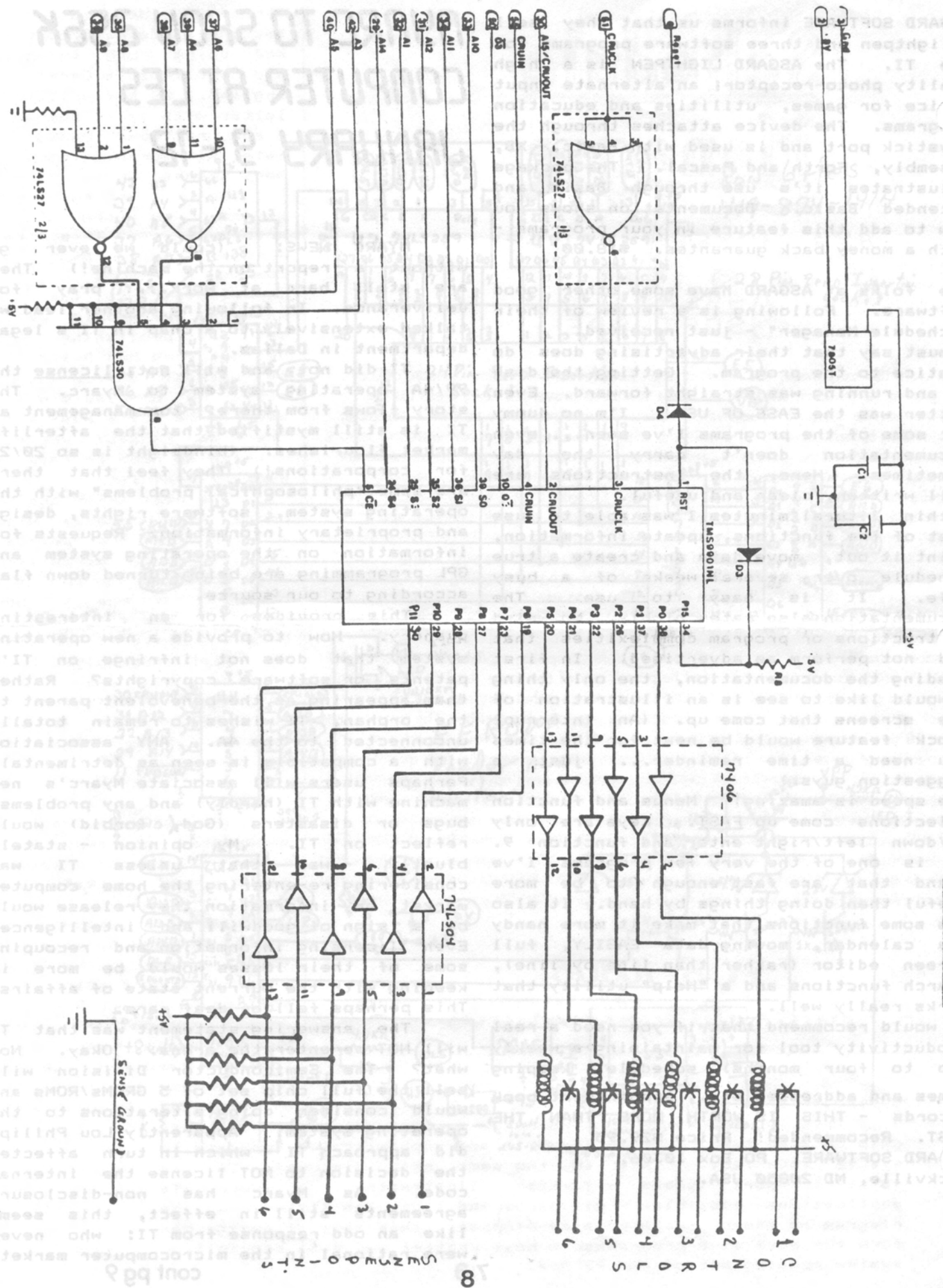
MYARC NEWS: (could we ever go without a report on the machine!) They are still hard at work... pray for deliverance. In following another lead we talked extensively to a chap in TI's legal department in Dallas.

TI did not, and will not, license the 99/4A operating system to Myarc. The story flows from there: top management at TI is still mystified that the afterlife market flourishes. (hindsight is so 20/20 for corporations!) They feel that there are some "philosophical problems" with the operating system, software rights, design and proprietary information. Requests for information on the operating system and GPL programming are being turned down flat according to our source.

This provides for an interesting quandry. How to provide a new operating system that does not infringe on TI's patents or software copyrights? Rather than appearing as the benevolent parent to the orphan, TI wishes to remain totally unconnected to the 4A. ANY association with a compatible is seen as detrimental. Perhaps users will associate Myarc's new machine with TI (hardly) and any problems, bugs or disasters (God, forbid) would reflect on TI. My opinion - stately bluntly - was that unless TI was considering re-entering the home computer market, any information they release would be a sign of goodwill and intelligence. Even licensing information and recouping some of their losses would be more in keeping with the current state of affairs. This perhaps fell on deaf ears.

The answering statement was that TI will NOT re-enter the arena. Okay. Now what? The Semiconductor Division will sell the full chip set of 5 GROMs/ROMs and would consider doing alterations to the operating system. Apparently Lou Philips did approach TI - which in turn affected the decision to NOT license the internal code. As Myarc has non-disclosure agreements still in effect, this seems like an odd response from TI: who never were rational in the microcomputer market.

STC CARD



SENSE P O - N - T - 3



We had asked for a lightpen device some issues ago. Several people sent the same article by Edwin McFall printed in the National User Group newsletter. Here's yet another joystick port design! The hardware and software design will follow in the next issue.

Another idea coming along is a PE Box design being prototyped by Pat Saturn of MicroStuph in Ohio. Pat reports that they are working on a five slot box with a new smaller cable. This would let many users expand their systems to include most of the cards available.

As the 128k stand-alone unit is due to be produced on a PE card this would free up one slot used for RS-232 cards. In many machines, it is common to have multifunction cards - several devices ie: printer spoolers, graphics interfaces, memory etc. This approach should continue for the Myarc machine over the next two years for power and business users.

**ATTENTION ASSEMBLY PROGRAMMERS:** We are offering a unique situation to assembly language programmers who would like to stretch their wings on the GPL Assembler. You are requested to send information on your programming experience, orientation in applications development and submit a disk (with at least minimal documentation on your program) which carries source and object code example(s) of your work. We will acknowledge all replies and WILL NOT reveal any of your code to any other parties. Please note if the code is capable of running out of XB, MiniMemory or Editor Assembler.

What we are looking for is utility development, toolboxes and application software capabilities on a networked basis for GPL programming. In addition, we are also looking for programmers capable of writing microcode for the operating system level on the 99/4A. Alterations in the O/S will provide additional capabilities for the machine coupled with new hardware projects going on-line.

We will also license the GPL Assembler to programmers who respond to us offer on a special basis. Write for further details, noting the above requirements. Refer to other notes in the newsletter for potential applications!

TI's reservations are not good public relations. To bequest all the secret information would help their image and the ENTIRE 99/4A COMMUNITY.

They also do track the aftermarket. I asked about the new hardware devices coming out - which immediately brought up the "concern and legal reservations" TI has about Craig Millers new device. It was said that their patent department is looking at the implications and possible copyright violations presented by the device. TI is considering their responsibility, if any, to the retailers who have invested in large stocks of module software. The legal representative stated that they see a danger in the device. My statement was that users had a legal right to back up their software. The pirates brook the question of legality here. I also told them that to sue or harass Millers device & existence would be the worst case of public relations that TI could pull in light of their abandonment!

Then I asked about the book Intern and the GPL Assembler. The response was that products which are "reverse engineered" pose no problem. Developers take note! Analyze the design, disassemble the software, create new products and devices WITHOUT the benefit of any information 'taken' or 'stolen' from Texas Instruments. Fighting their legal beagles would be expensive - even if the case was won in court. I suggested that they could license information, sell data and development programs and bypass all the B.S. about copyright protection. (Craig is receiving an advance printout on all this). After all, Apple and IBM have been busily suing companies left and right over copyright violations concerning operating system code, ROM chips and some of the other software (like GEM) in use. Then again, they have something to protect - quite unlike TI who is avowed to stay out of the home computer game.

The upshot was in considering a new, more fully decoded operating system and providing a GPL toolbox, TI doesn't care; so long as the efforts come from the raw determination, intelligence, analysis and efforts of "reverse engineering". Where this leaves Myarc is another question. I called Lou Philips to offer the data from the new book and GPL Assembler - as this stuff is all user efforts - to give them a free hand in developing a new code set for the machine. They DID call back with a thankyou and the statement that they had

all that information. Okay, but will TI let you update or use it fully?

We hope that the operating system code provided for the "256" can improve on the 4A's performance. The XB/128k module from Myarc is along these lines - but we're not sure how this module works out with other programs, hardware or modules. It would be a pity to see the same old 4A stuff included in the new machine.

All of this also allows for a really serious "hack" on 4A consoles to allow all sorts of neat features. Seems that writing in new code into the operating system would provide for VERY powerful features: bank switched memory, 32k access from BASIC, disk only software to take full advantage of improved features, better (and faster) cassette loading, extensive module port designs, flexible interrupts, new peripherals and so forth.

**NEXT:** Leave it to the Germans. A new article dealing with the 32k internal memory expansion has been published which improves on the design from Bernie Elsner and Phil West. The nicest improvement is that of using an on-board chip select chip without the tack soldering to the mother board chips. A standard connection set up is used to interface this improved design - along with BATTERY BACKUP! Nice show. Better yet, the design comes with the printed circuit board artwork needed to make the project a snap instead of a pure hack. We will publish this design and offer boards in the near future. We are still looking for feedback on the possibility of offering printed circuit boards, instructions and parts in kit form for owners who would like to build some of the devices covered in the newsletter.

**Subscribers note:** For many original people who supported this effort, the offer of issue 1 - 7 is now officially ended. If you wish to receive future issues, RENEW now. We managed to catch up on the few misfiled names and are fully on track, on line and moving into new areas for TI 99/4A owners. With issues being mailed to seven countries, the coverage is increasing to include software, hardware, technical improvements, reviews et al.

# SUSCRIBE TODAY

R/D COMPUTING Newsletter is dedicated to TI 99/4A and 9900 Computer Systems. Every month we bring you news, editorials, NEW products, projects, reviews, opinions, tips and technical information. Over the next year we are expanding coverage to include advertising from the top manufacturers and the "little" guys" who improve our computer. Detailed coverage of the Myarc 256k Computer is scheduled.

SUSCRIBE NOW to receive each new issue. Copies are mailed during the fourth week / first week of every month to subscribers. Back issues are available to subscribers only.

CURRENT COST: \$10.00 (US) plus \$4.00 for First Class Delivery. Magazine format will increase subscription cost in 1986 - to be announced. (No increase for current subscribers!)

R-D COMPUTING NEWSLETTER

## Special Offer:

We are offering an **ADVANCE LIFE-TIME SUBSCRIPTION** for R/D Computing. In 1986 we are expanding the newsletter into full scale magazine format. Supporting this effort to include more detailed coverage, program listings and resource information is a major effort. Individuals wishing for more 99/4A and Myarc 256 information are offered a **Once-In-A-Lifetime subscription** for only \$50.00 (US funds). Each issue will be mailed **First-Class first out** with a SS/SD disk of program listings from each issue.

Supporting subscribers are requested to send for this special offer to Ryte Data in advance of rate increases for the magazine size format.





# FOXWARE

1853 Newton Street, Las Cruces, New Mexico 88001

TO: All TI 99/4A Owners

FOXWARE proudly presents three challenging adventure games:

## TEMPLE OF TERROR

A classic adventure for all intrepid explorer/archaeologists. Explore a recently-uncovered Greek Temple on a remote island. WARNING! Only the brave and brilliant will be able to solve the logical but fiendishly clever puzzles set to trap the unwary! The temple treasury, worth a king's ransom, is the goal. Who will accept the challenge for wealth, fame, and glory? Text only (with innovative sound effects). Speech synthesizer and Extended Basic recommended. (Specify Basic or XBASIC) INTERMEDIATE LEVEL \$12.00 Cassette-\$15.00 Disk

---

## CAVE-IN!!

Another classic text-only adventure program. A vast treasure of gold bars is said to be hidden in a huge cavern. The problem is--the place has been so undermined by treasure hunters and shaken by earth tremors that it is highly unstable. One false move and it will cave in. Watch out for rattlesnakes, outlaws, and assorted death traps. Are you clever and brave enough for the challenge? Outstanding sound effects. Speech synthesizer and Extended Basic recommended. (Specify Basic or XBASIC) INTERMEDIATE LEVEL \$12.00 Cassette-\$15.00 Disk.

---

## \* DEATHWHEEL \*

Our newest adventure for the TI ADVENTURE MODULE. Set in outer space, this adventure places you on the gigantic satellite 'GREENWHEEL'. A mile in diameter, this city in space is threatened by a terrorist group. Explore, follow clues, ask questions. But hurry!! Your very life depends on stopping the plot to turn Greenwheel to DEATHWHEEL! ADVANCED LEVEL \$10.00 Cassette-\$12.00 Disk.

---

Please send check or money order in U.S. funds.  
DISCOUNT!! We will sell 2 Cassettes for \$20.00 and 2 Disks for \$25.00 AND we pay postage!

Send us your news. Send us your ads.  
Send us nifty gadgets to support the 4A!  
Enough said.

Next: we are now looking for a technical wizard who wants to live here on Silicon Mountain (they call this area the Haliburton Highlands). You must have IN DEPTH knowledge of TMS 9900 systems, 99/4A technical knowledge, be handy with design and construction techniques as well as capable of working in a freeform, third wave environment. Salary will be commensurate with experience and ability. Other interesting options are included. Entrepreneurial talent and perception of innovative concepts is an asset. Submit your resume to Ryte Data/ Millennium to the attention of K. Talaba: Personnel. Again all inquiries will be acknowledged.

Beta testers: we're just about ready to go with the project. Hold tight, very few people have written willing to test a new device from that offer. Perhaps most of our subscribers have expanded systems...? We'll keep you posted.

GRAM/RAM card update: Some more features have been noted from the last issue with the photo of the packed circuit board.

R/D Computing is published monthly by Ryte Data in Haliburton, Ontario. Copyright 1985. All material contained herein is taken from sources believed to be accurate. No responsibility for errors, omissions or misprints is assumed. Articles may be reprinted with credits by users groups for publication.

Articles dealing with Texas Instruments 99/4A and 9900 based computers are published. Special attention is given to data on upgrading and modifying the 4A console & system. Information and material for consideration is solicited from owners, users groups, hardware manufacturers, software publishers etc. Please send all correspondence to Ryte Data R/D, 210 Mountain Street, Haliburton, Ont. K0M 1S0 Canada. We cannot accept responsibility for materials submitted and, unless stated otherwise, will assign all manuscripts, letters etc. for publication. ONLY Manuscripts with sufficient postage and self-addressed mailer will be returned. Subscription rate is \$10.00 per year US funds. Overseas add \$5.00 airmail postage. Back issues, subject availability, are \$2.00 each. Technical reprints may be published by special arrangement.

12

**Ryte<sup>tm</sup>  
Data.....**

BOX 210 MOUNTAIN STREET  
HALIBURTON, ONTARIO K0M 1S0  
CANADA



RANDY ROSSETTO  
33 LADYKIRK AVE.  
TORONTO, ONT.  
M4L 3K8