

NOTES: UNLESS OTHERWISE SPECIFIED:

① THESE DRAWINGS DESCRIBE THE LOGIC OF THE VAQUERRD IC, SPECIFIED IN TI. PART NO. 1049723.

REVISIONS		
REV	DESCRIPTION	DATE

INPUTS

<u>ALPHANUM</u>	<u>LOGICAL ADDRESS BIT</u>	<u>FUNCTION</u>	<u>0 (MSB)</u>	<u>1 (LSB)</u>	<u>PIN #</u>	<u>NAME</u>
A0			1	15	2	SF
A1			2		25	SC
A2			3		26	VD
A3			4		27	VD
A4			5		28	SP
A5			6		22	SF
A6			7		36	SC
A7			8		37	TS
A8			9		38	RB
A9			10		32	RB
A10			11		33	RA
A11					34	NA
A15					35	LA
CLKOUT	TMS9995	CLOCK OUT (.3725µs T)			30	
MEMENK	"	MEMORY ENABLE CONTROL			29	
DBINK	"	DATA BUS DIRECTION CONTROL			24	
WE/CAUCLK*	"	WRITE ENABLE/CAU CLOCK CONTROL			23	
CRUS	LAS	MEMORY MAPPED DEVICE LOCATION CONTROL			19	
SGRY	SYSTEM	GRDM LIBRARY "READY" OUTPUT			6	GNL
TSGRY	TEXT-TO-SPEECH	GRDM LIBRARY "READY" OUTPUT			7	VCC
RBGRY	PCODE 8 CHIP	"			11	GNL
P3GRY	" 3	"			14	VCC
CRUSGL	GRDM	LIBRARY DISABLE			3	VCC

(23 INPUTS, TOTAL)

* DENOTES
Ø DENOTES

DIMENSION IDENT. NO.	
USED	

8 7 6 5

OUTPUTS

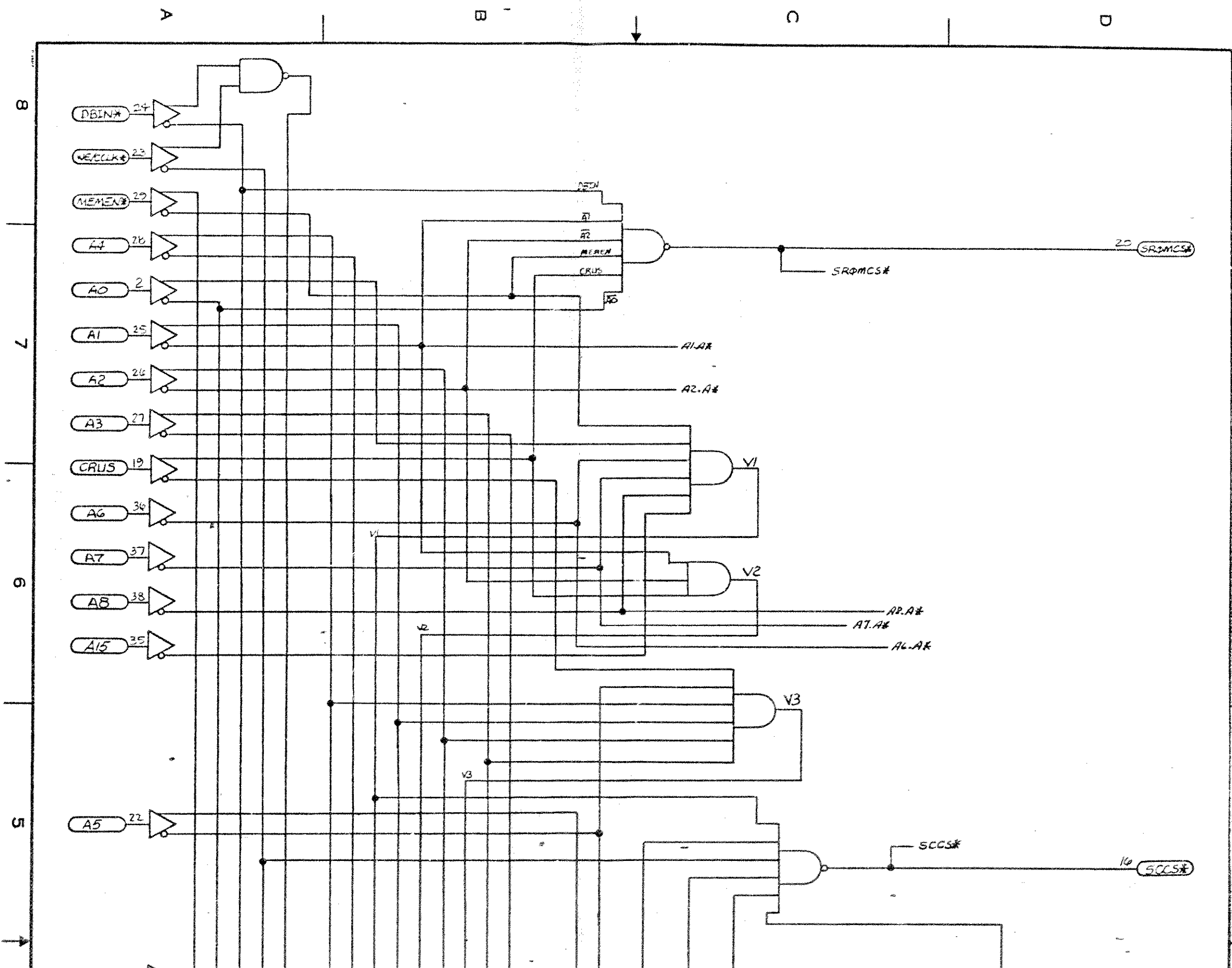
#	MNEMONIC	FUNCTION	PIN #
	SRΦMCS*	SYSTEM RΦM CHIP SELECT	20
	SCCS*	SOUND GENERATOR CHIP SELECT	16
	VDP RD*	VDP "READ" CHIP SELECT	39
	VDP WT*	VDP "WRITE" "	1
	SPRD*	SPEECH SYNTH. "READ" CHIP SELECT	17
	SPWT*	SPEECH SYNTH. "WRITE" "	18
	SΦCS*	SYSTEM GRΦM LIBRARY "	8
	TSGCS*	TEXT-TΦ-SPEECH GRΦM LIBRARY CHIP SELECT	9
	RBGCS*	R-CODE B GRΦM LIBRARY CHIP SELECT	12
	RBGCS*	R-CODE 3 " "	13
	NNOICS*	9901 CHIP SELECT	15
8	SRY	TRISTATE OUTPUT, SYSTEM READY STATUS	5
	LASRΦD*	LOGICAL ADDRESS CHIP SELECT ACTIVE	4

(13 OUTPUTS, TOTAL)

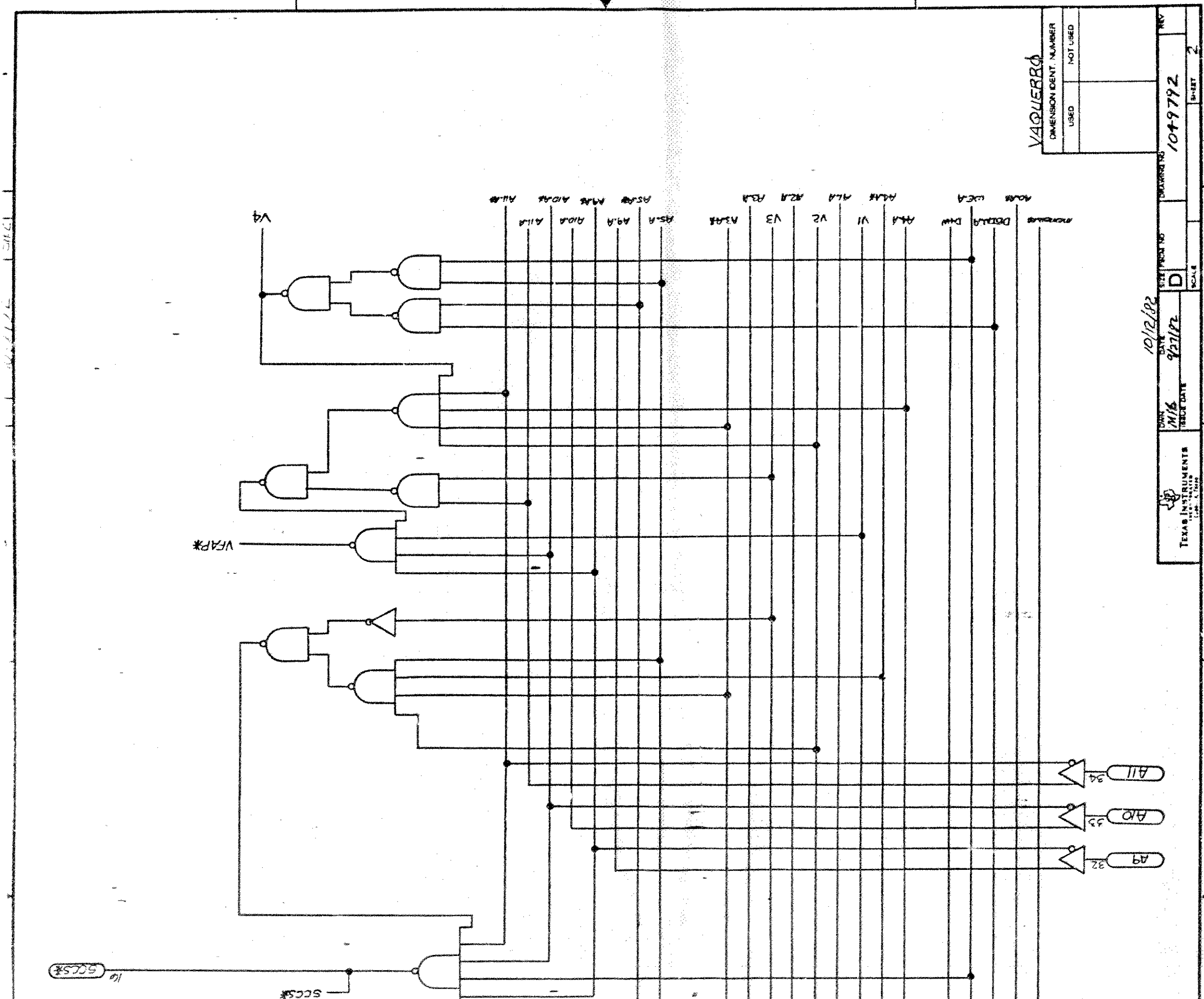
- GND
- VCC
- GND
- VCC

* DENOTES AN ACTIVE LOW SIGNAL
 8 DENOTES A TRI-STATE OUTPUT

ITEM NO.	PART NUMBER	DESCRIPTION	MATERIAL	REMARKS
		UNLESS OTHERWISE SPECIFIED * DIMENSIONS ARE IN MILLIMETERS † TOLERANCES ANGLES & 1° ‡ PLACE DECIMALS & MM § PLACE DECIMALS & MM ¶ DIMENSIONS IN ACCORDANCE WITH ANSI Y 14.5		
			10/12/82	
			TEXAS INSTRUMENTS INCORPORATED GROUP CORP. DALLAS, TEXAS	
			LOGIC DIAGRAM (VAQUERRØ) TAL004 GATE ARRAY CF40063	
			REV. PART DATE D	1049792
			DATE	1 OF 5
			2	40
			3	
			4	
			5	



D C B A



VALUES

USED	NOT USED

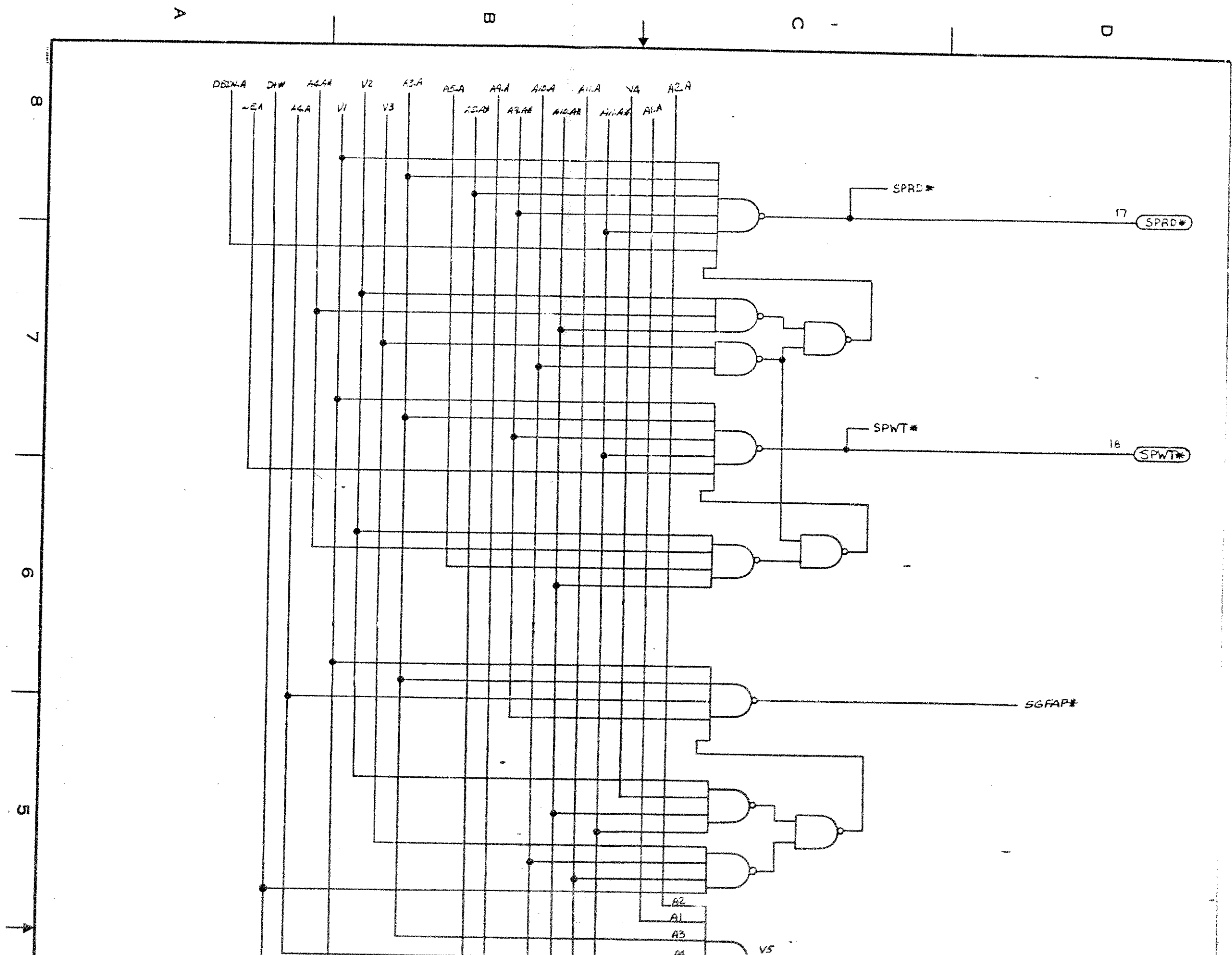
DIMENSION IDENT. NUMBER

DATE	10/12/82
DATE	9/27/82
DATE	9/27/82
SCALE	D
NO.	2
SHEET	1

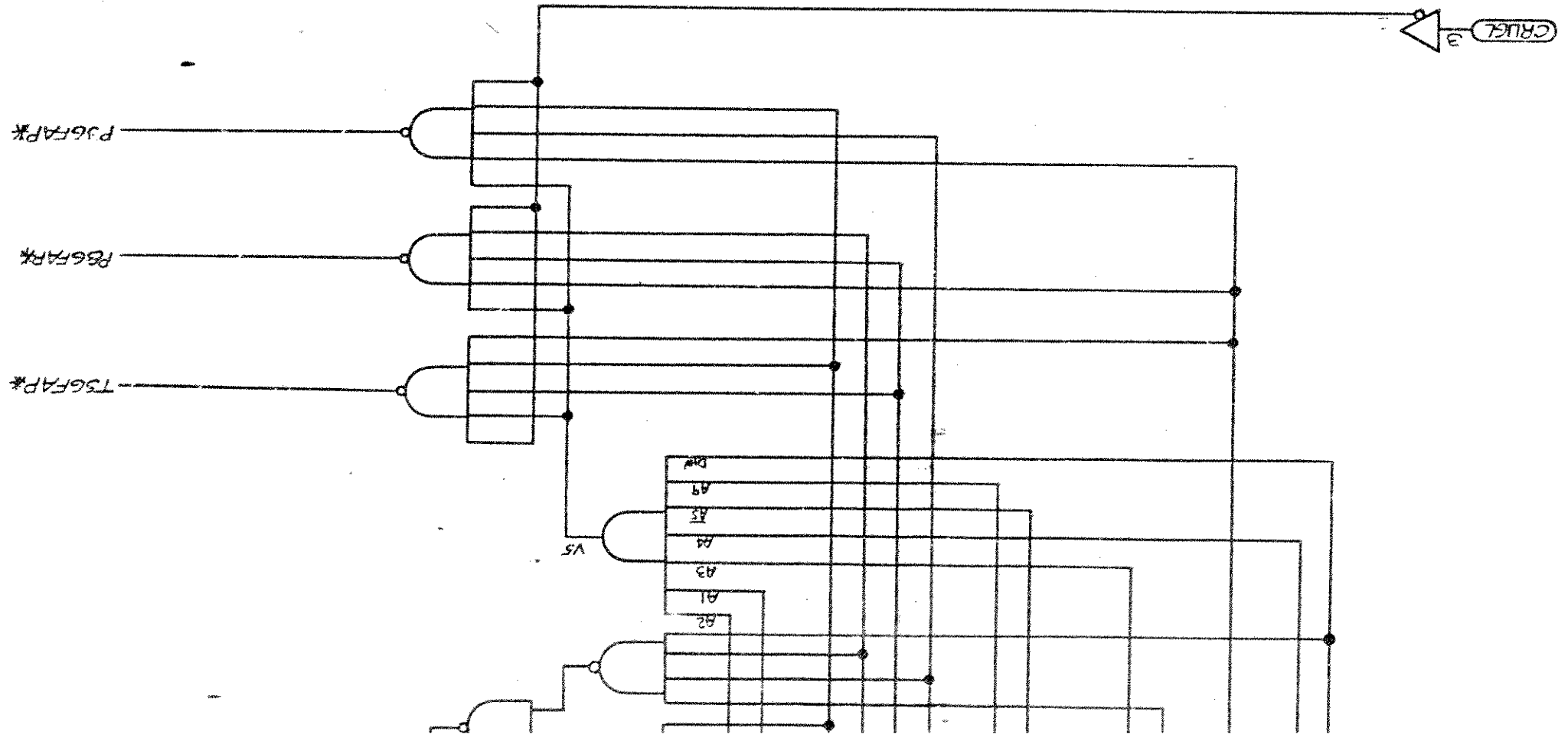
1049792

TEXAS INSTRUMENTS
 SEMICONDUCTOR DIVISION
 LICKING, TEXAS

SCCS* 10



4.2126 5H3



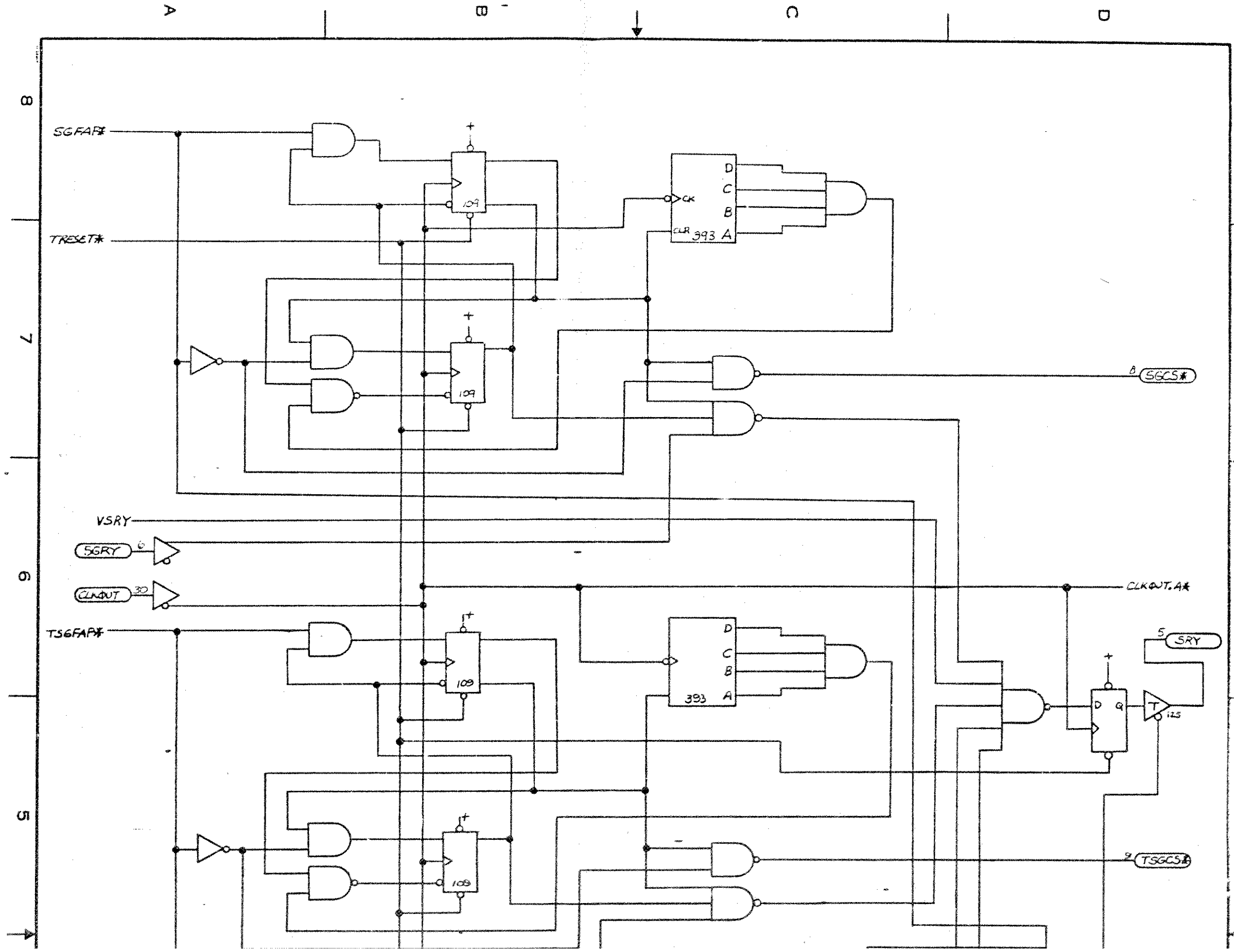
D C B A

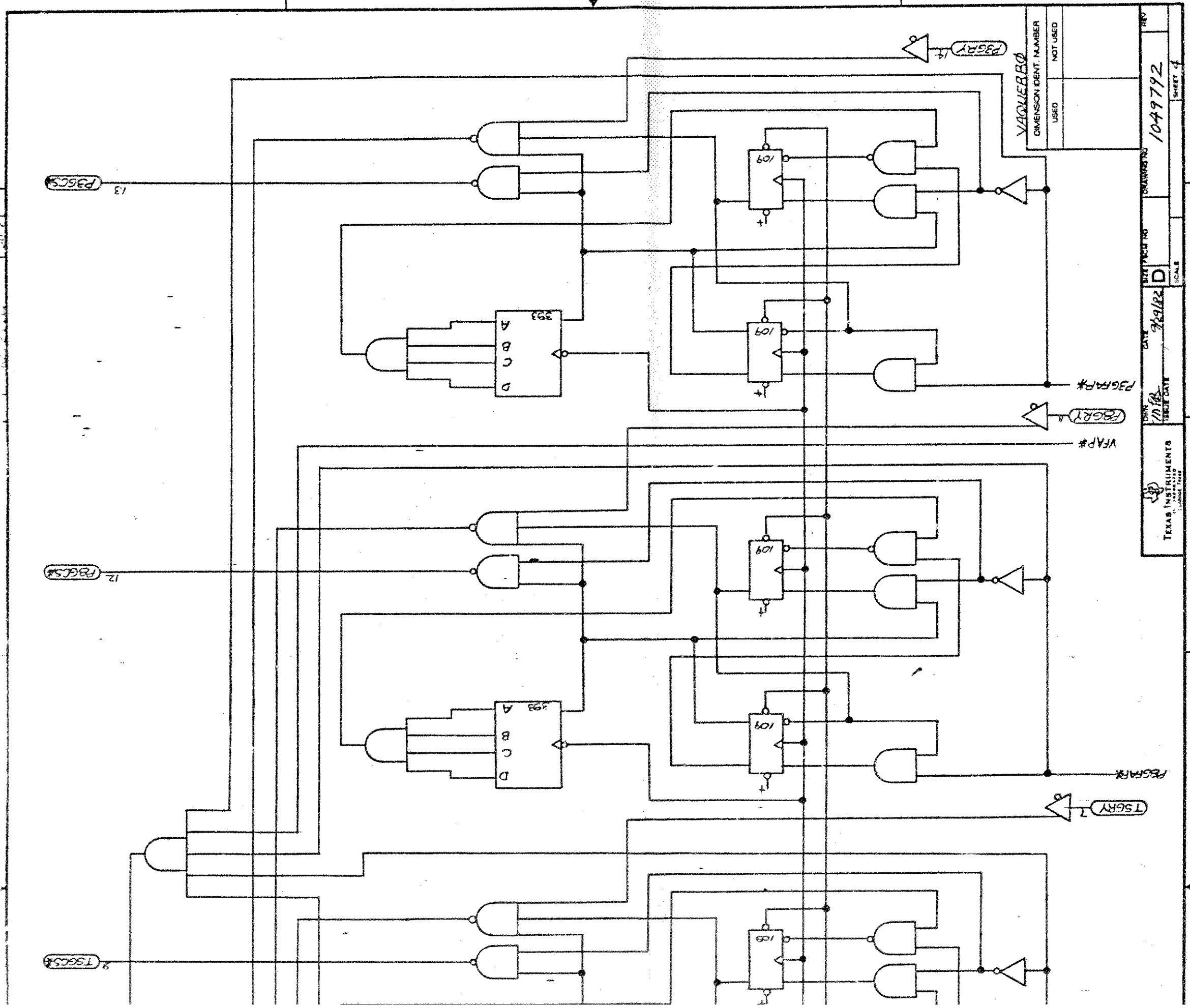
VACQUIER

DIMENSION IDENT. NUMBER	
USED	NOT USED
DRAWN BY	
DATE	SCALE
10/2/82	D
7/15	9/28/82
ISSUE DATE	REV
10-9792	1
SHEET 1	

TEXAS INSTRUMENTS
DALLAS, TEXAS, U.S.A.

1 2 3 4





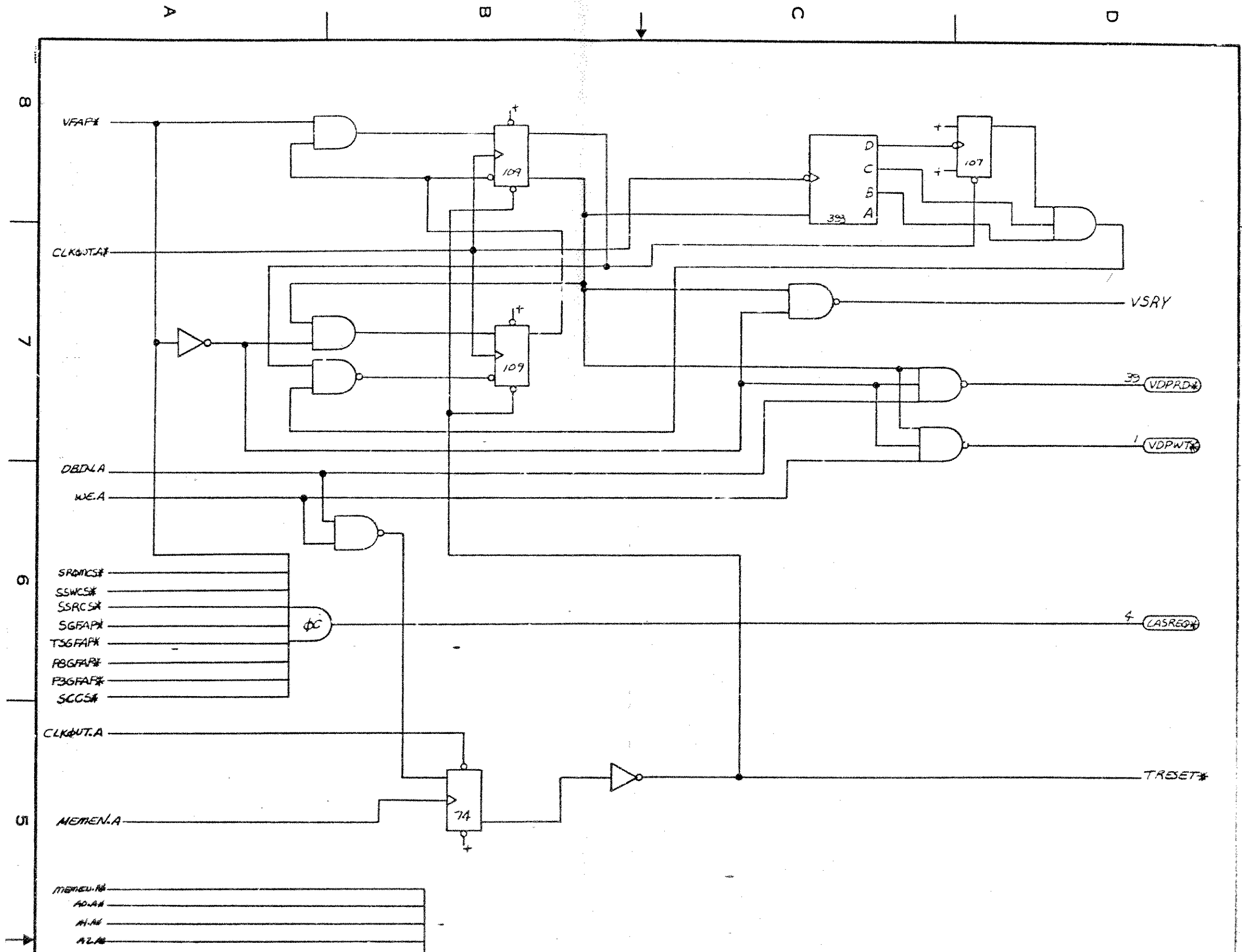
1

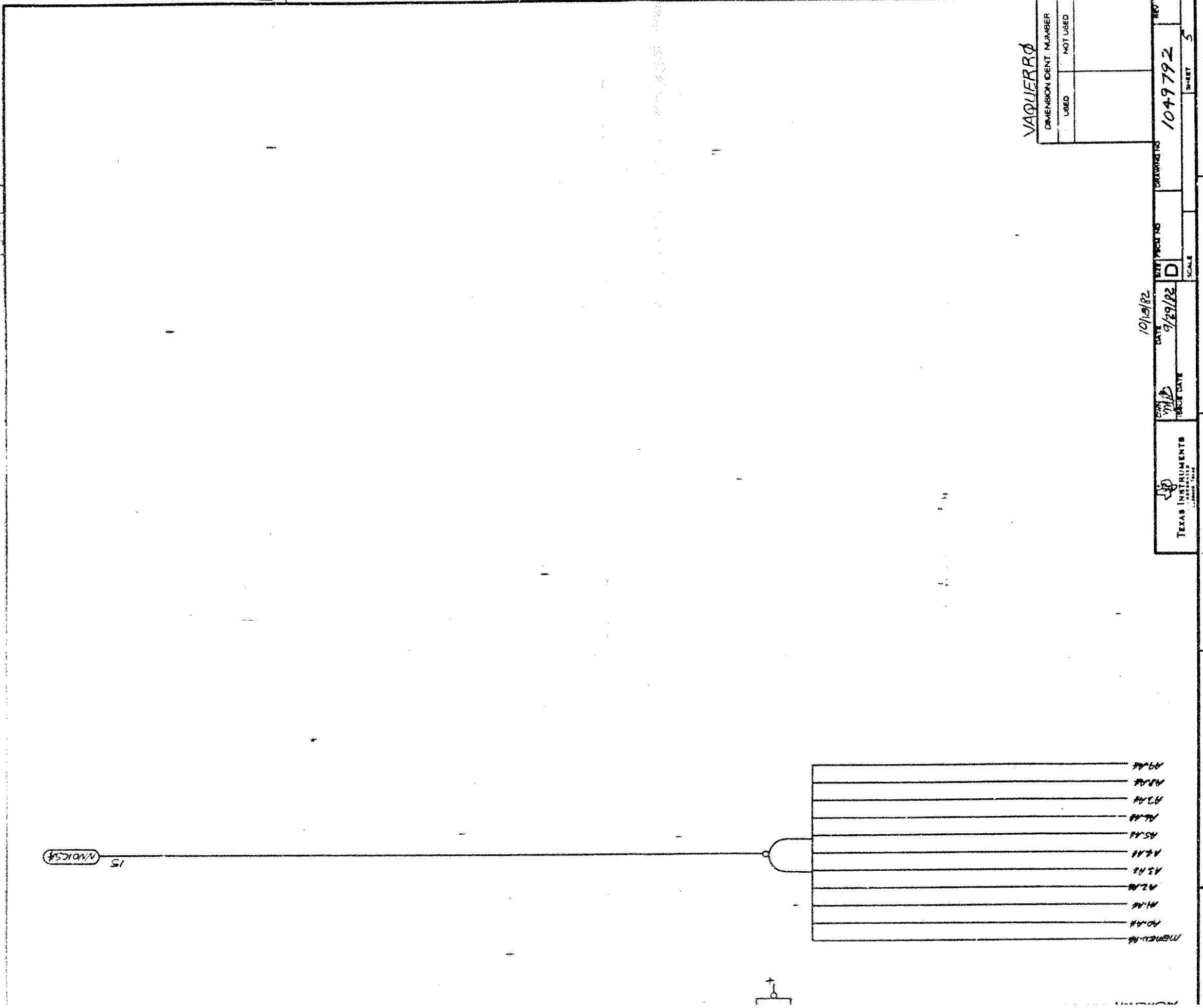
2

3

4

5





VAQUERRO

DIMENSION IDENT. NUMBER	
USED	NOT USED

DATE	10/13/12	SCALE	D	SHEET	5
DATE	9/29/12	SCALE			
TEXAS INSTRUMENTS					

- MEMBRAN
- 10.00
- 11.00
- 12.00
- 13.00
- 14.00
- 15.00
- 16.00
- 17.00
- 18.00
- 19.00

15 VW01CS4

