

15 Bits of
HEAD Rm = 7MIX

DIMENSION IDENT. NUMBER	
USED	NOT USED

TEXAS INSTRUMENTS
CORPORATION
DALLAS, TEXAS

DATE: 11/27/62
DRAWN BY: [Signature]
CHECKED BY: [Signature]

DESIGN NO: 1049790
SHEET 2

PDBNA

C8EN

Tri-state Control

CDB5
CDB5A#

CDB4
CDB4A#

CDB3
CDB3A#

ACS-A 6D7

XDR5# 5D6

WEN# 6D5

EDS# 5D3

ADDR# 5D7

XDR# 5D7

BAV# 6D5

SBAY# 5D4

LSNS 4D5

ADDR# 5D8

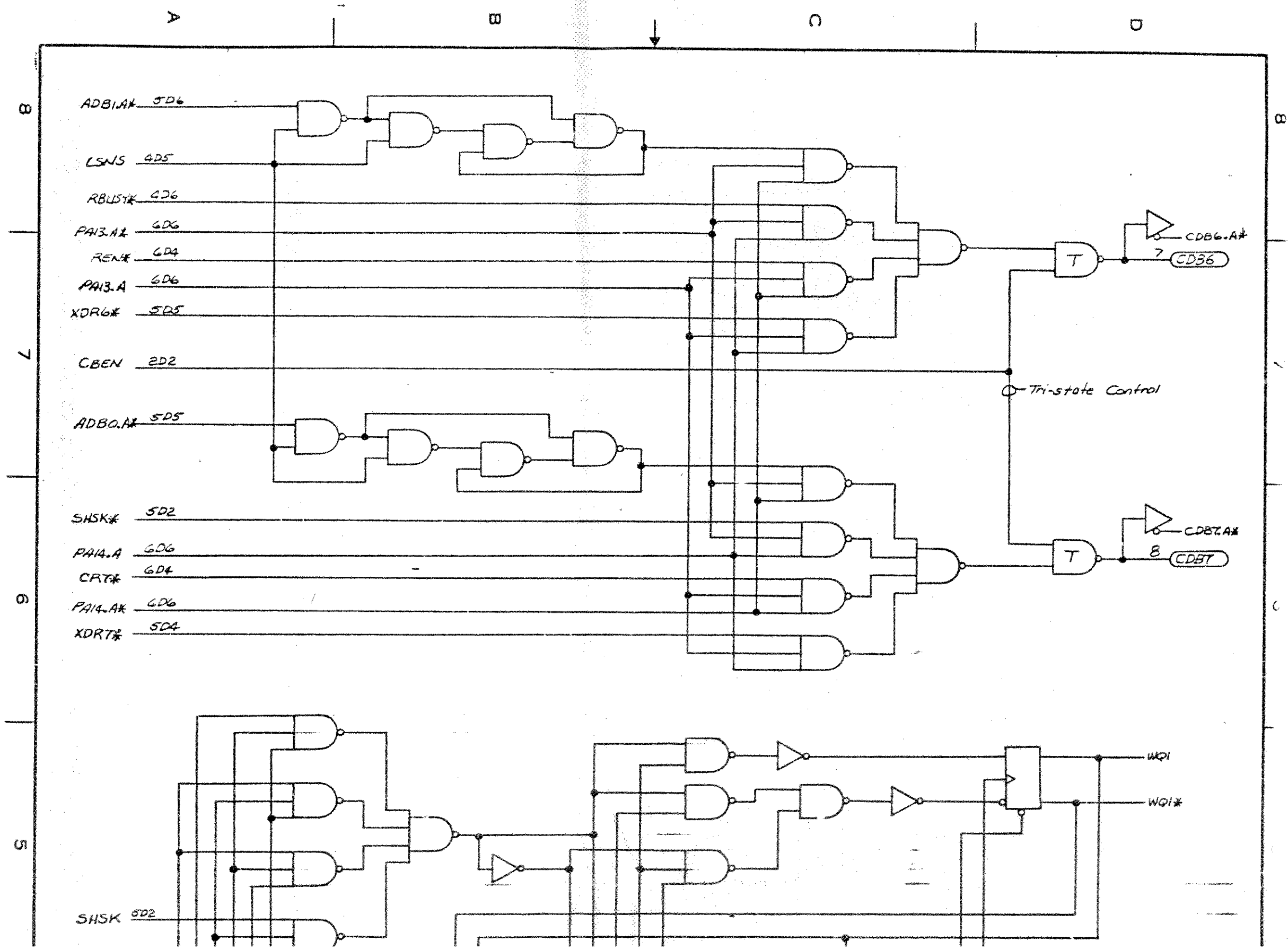
XDR3# 5D5

BAV15# 6D6

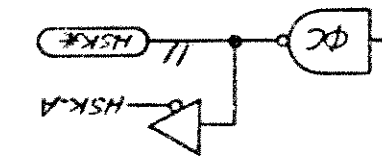
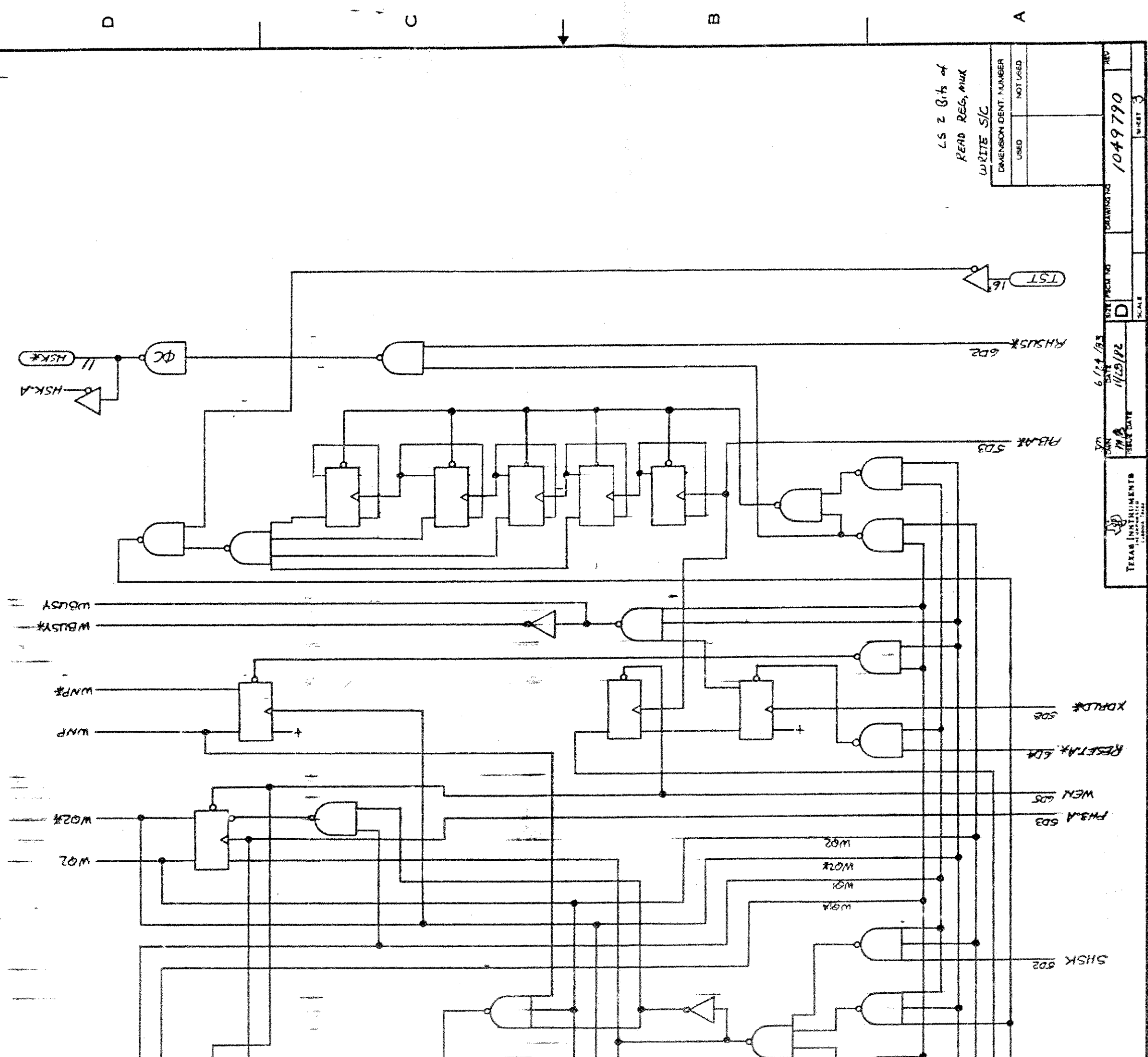
BAV15# 4D2

ADDR# 5D5

XDR2# 5D6



SH-3



LS 2 Bits of
READ REG, MAX
WRITE S/C

DIMENSION IDENT. NUMBER	
USED	NOT USED

DATE	6/24/83
BY	MA
ISSUE DATE	11/29/82
SCALE	D
DRAWING NO.	1049790
SHEET	3
REV	1

TEXAS INSTRUMENTS
LABORATORY 11400 N. 171ST ST. DALLAS, TEXAS 75244

TST 16

RHSUSK 6D2

PEAK 5D3

XDRLK 5D6

RESLTK 6D4

WEN 6D5

PBA 5D3

W02

W01

W00

SHSK 6D2

WBUSY

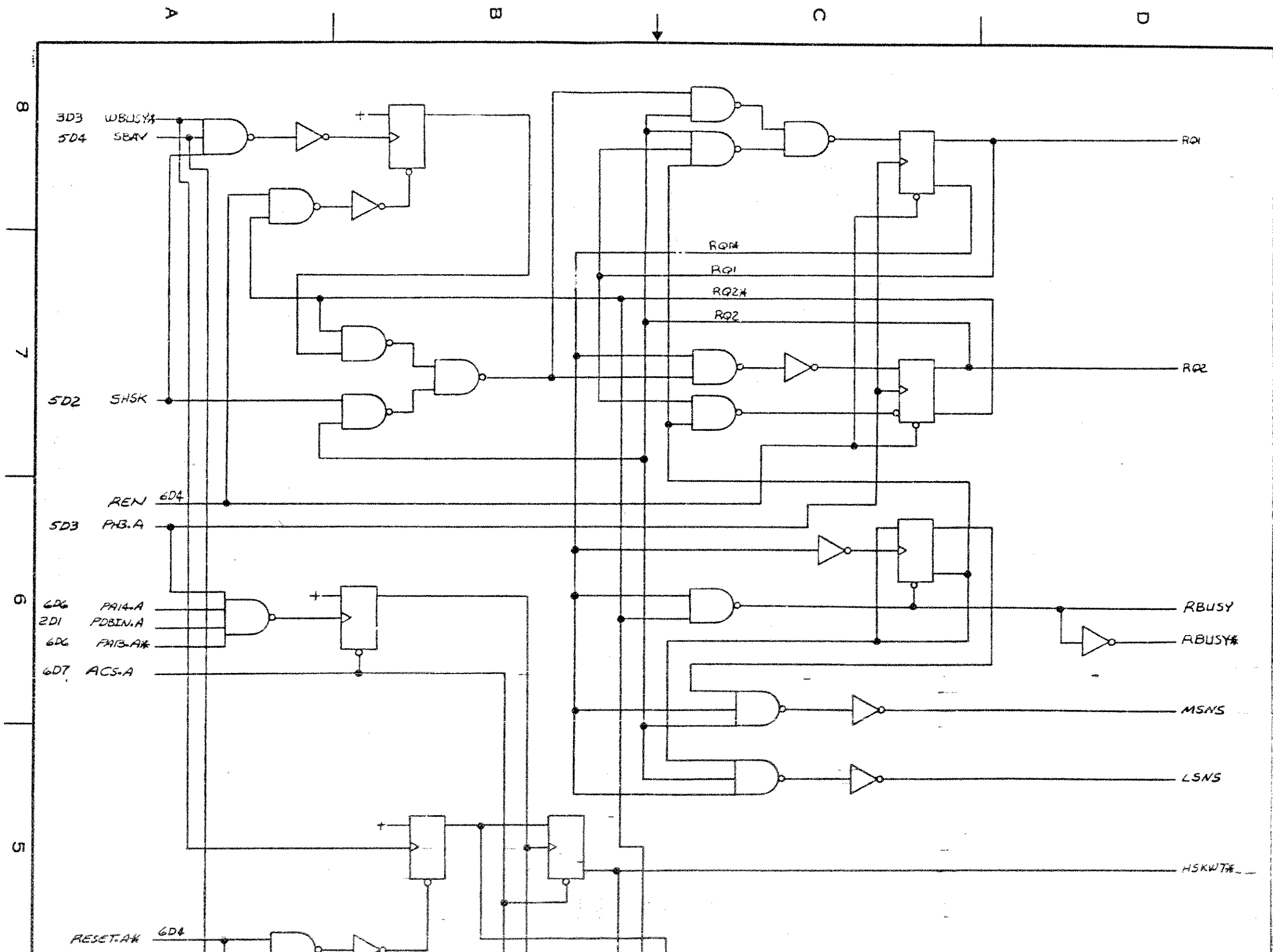
WBSY*

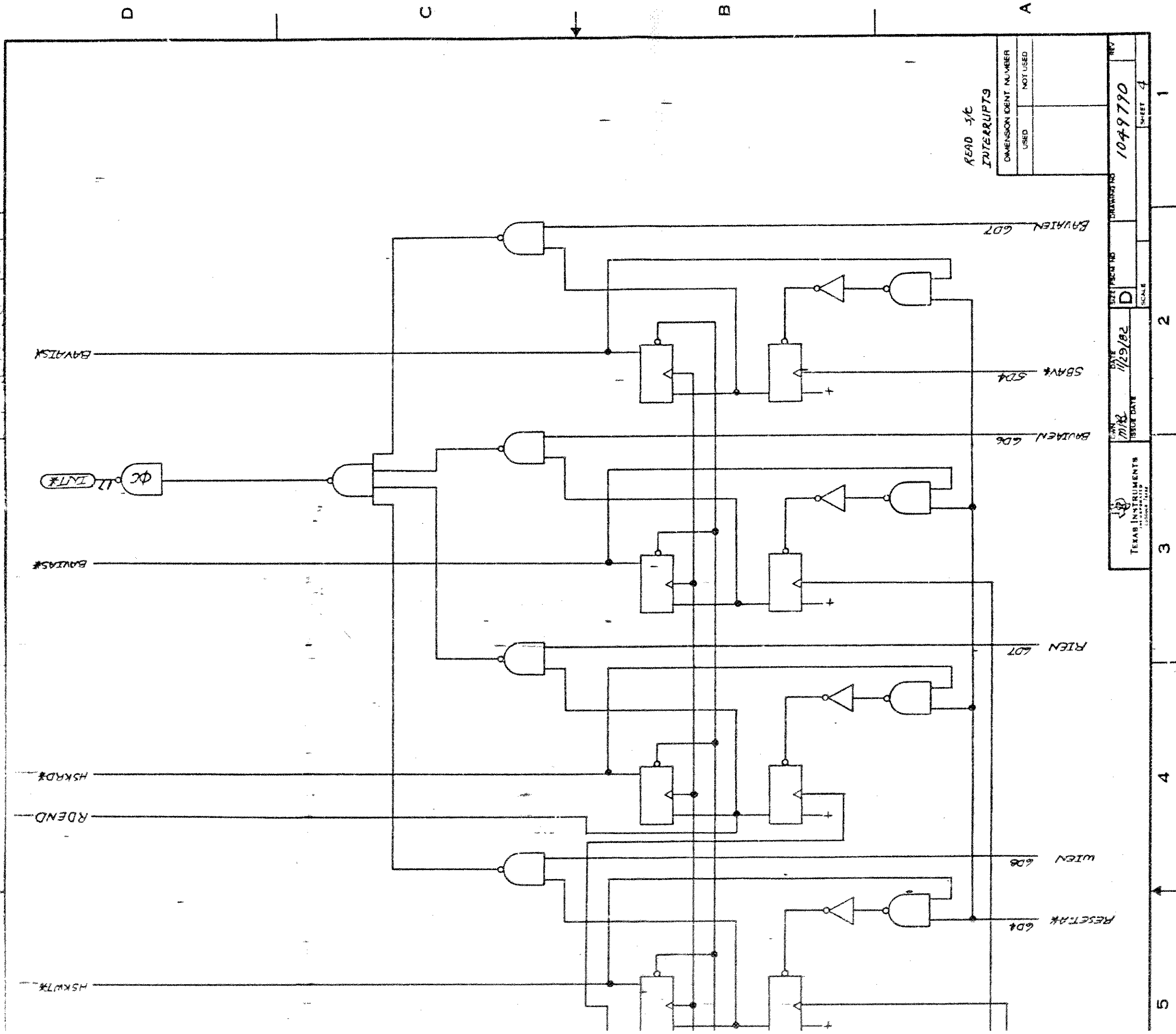
WNP*

WNP

W02*

W02

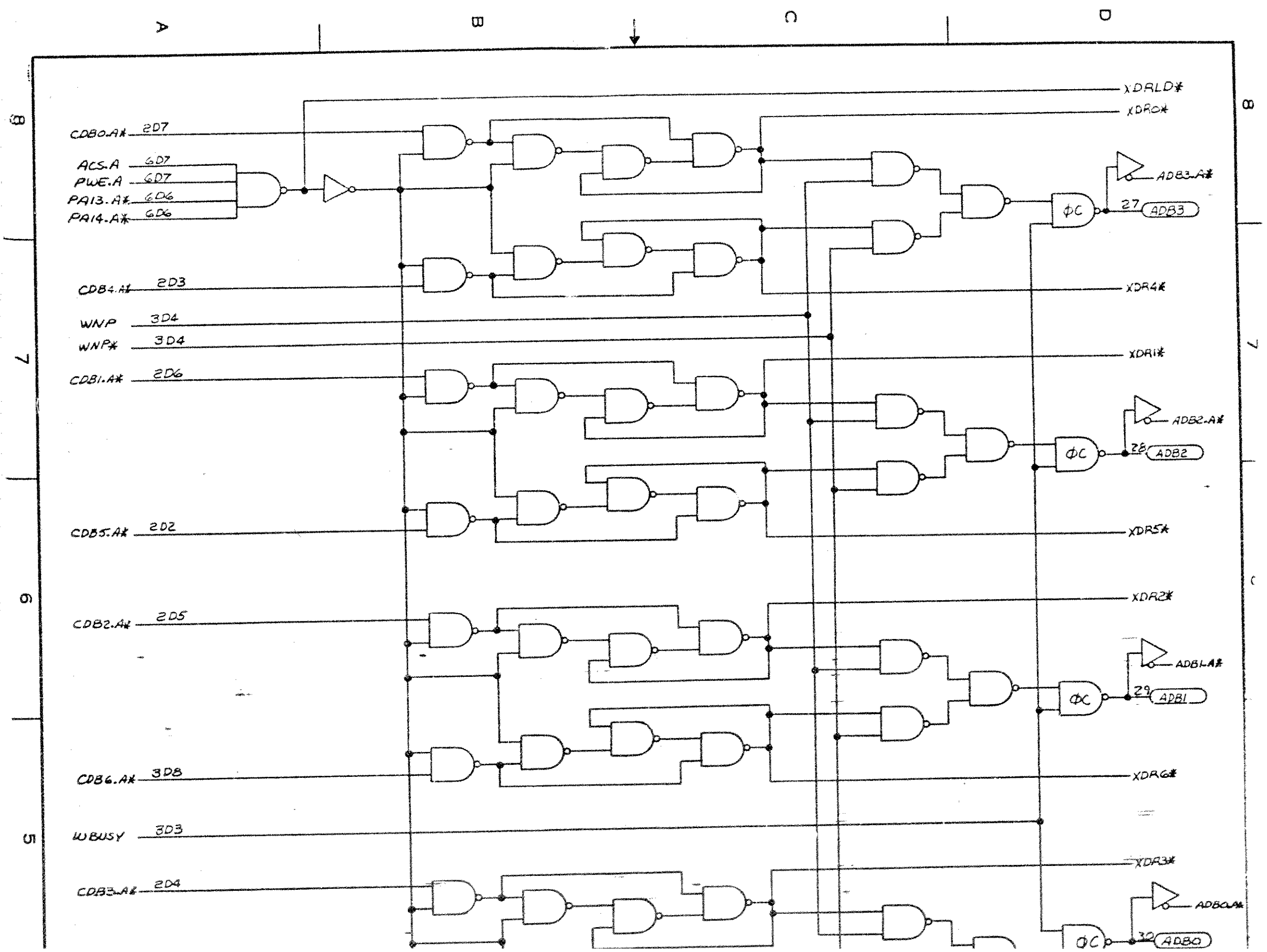


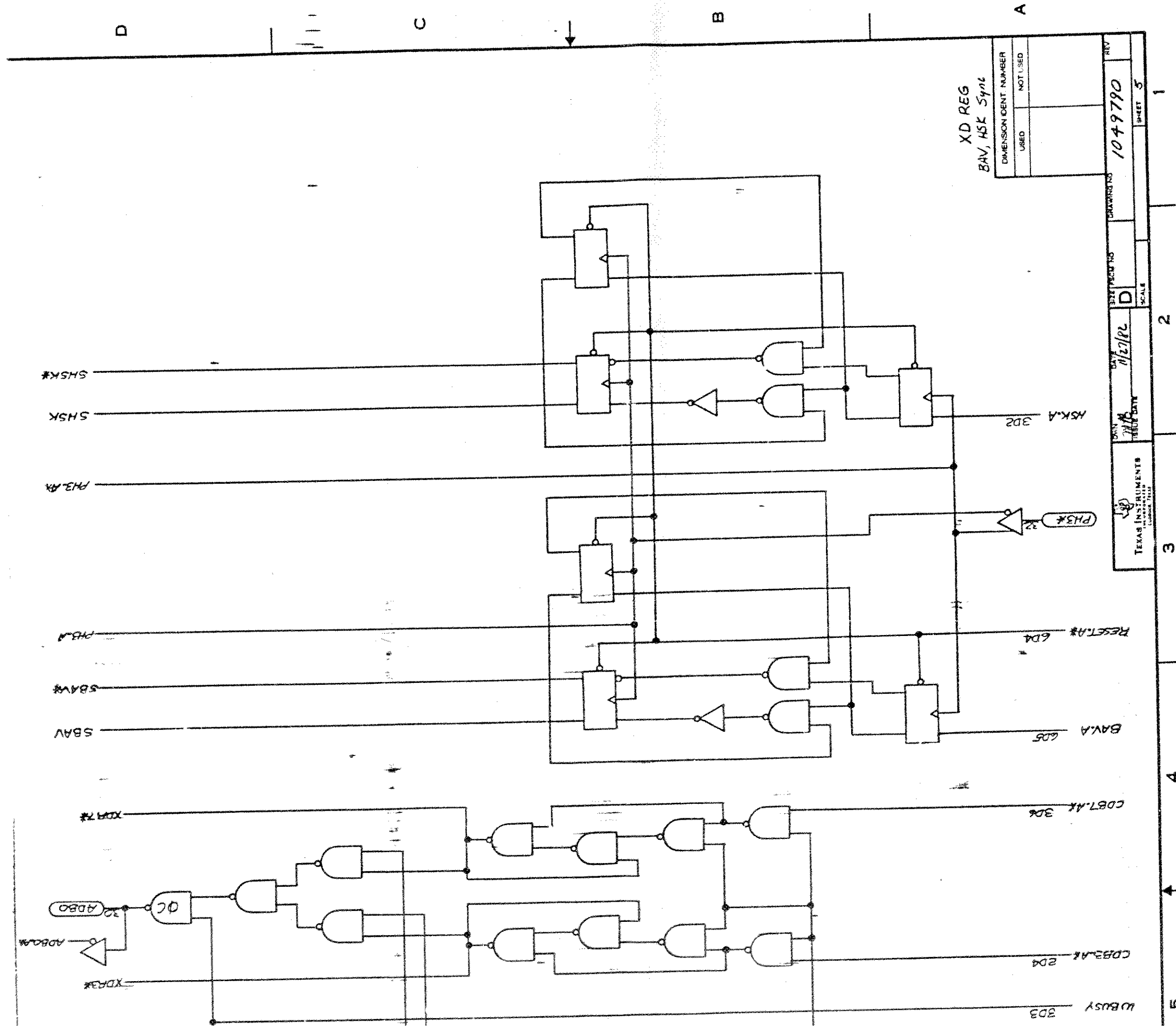


READ 3/4 INTERRUPTS

DIMENSION IDENT. NUMBER	
USED	NOT USED

DATE	11/29/82	DRAWING NO.	1049790	REV.	1
SCALE	D	SHEET	4		
 TEXAS INSTRUMENTS DALLAS, TEXAS					



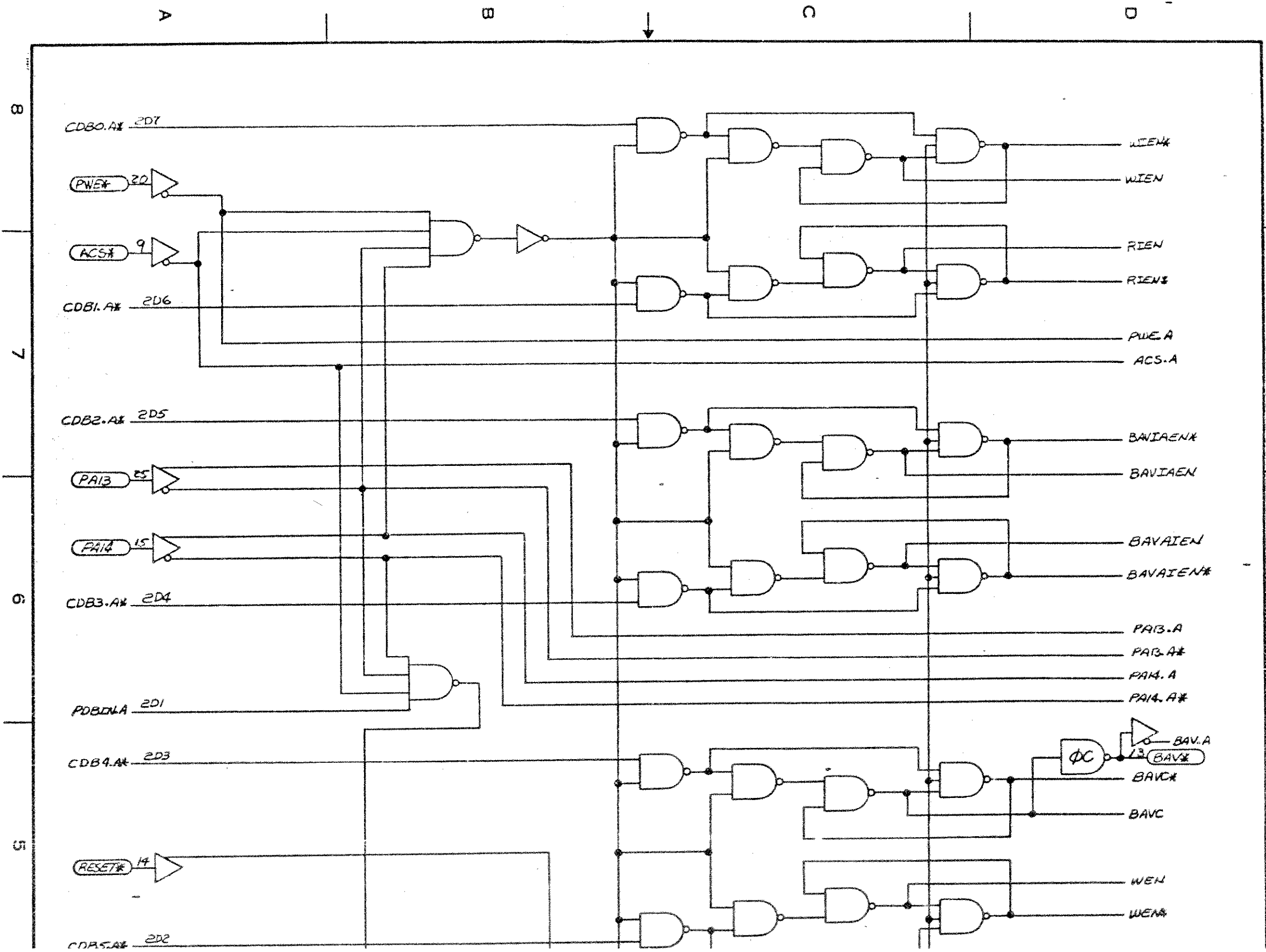


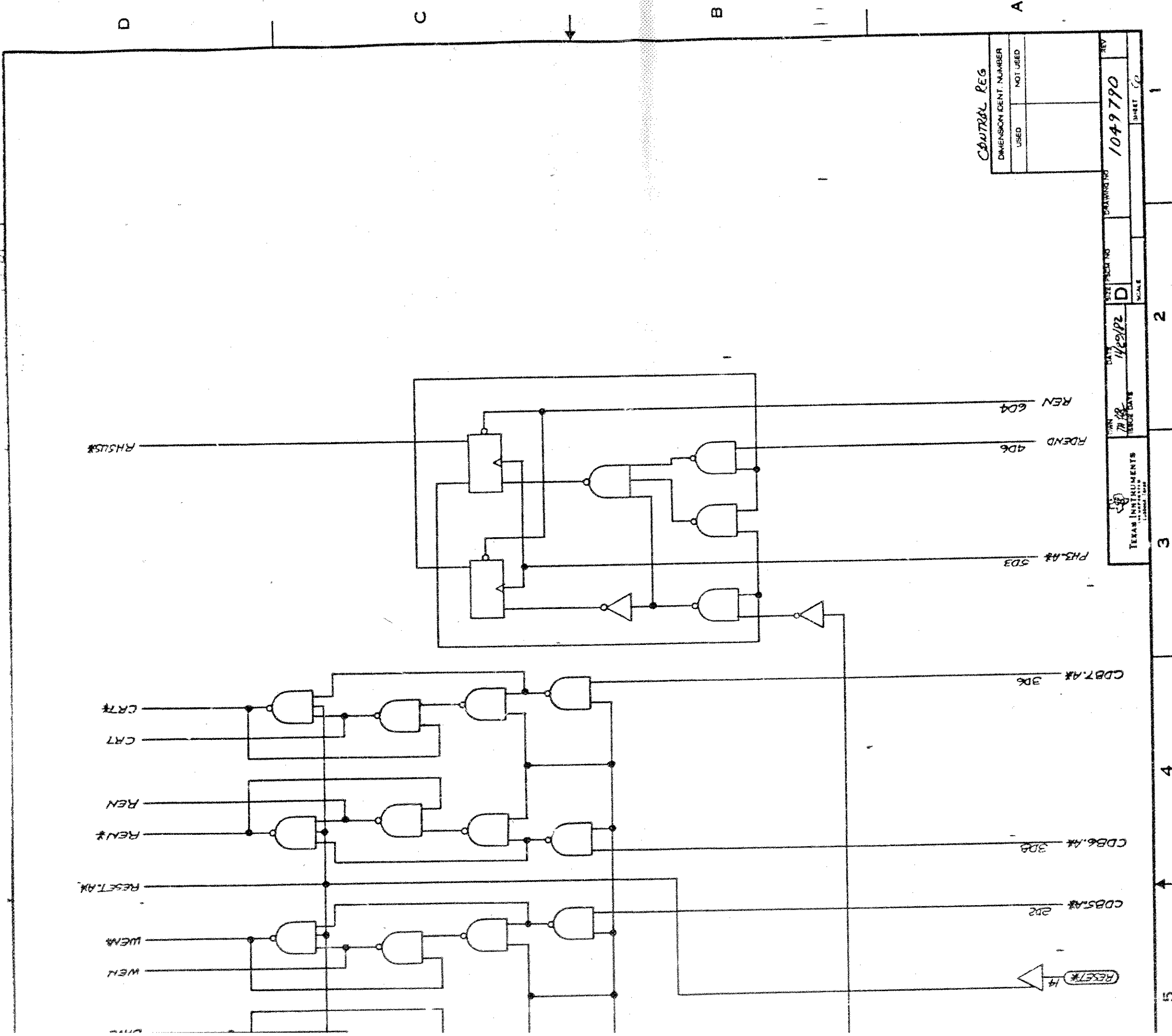
XD REG
BAV, HSK Sync

DIMENSION IDENT NUMBER	
USED	NOT USED

DATE	11/27/72	SCALE	D
DESIGNED BY	PH	DRAWING NO	1049790
TESTED DATE		REV	
TEXAS INSTRUMENTS			SHEET 5

5 ABUSY 3D3 4 COB3, AK 2D4 3 COB7, AK 3D4 2 PH3K 32 1 ASK.A 3D2





CONTROL REG

DIMENSION IDENT. NUMBER	
USED	NOT USED

DATE	1/22/72	SCALE	D
DESIGNER	7/1/72	DATE	
PROJECT NO.		DRAWING NO.	1049790
			SHEET 00



1 2 3 4 5