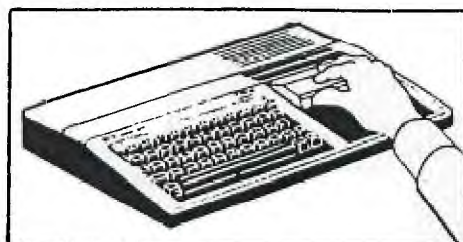


MILWAUKEE Home Computer



MARCH
1985
EDITION

M I C R O

REPORT

SPECIAL ISSUE
CONSTRUCTION

A BI-MONTHLY PUBLICATION OF THE MILWAUKEE AREA 99/4A USERS GROUP

USER GROUP NEWS

MEETINGS, STORIES, AND MORE . . .

In this issue of MICRO REPORT, we will attempt to give all of you electrical experimenters some projects for peripherals on your TI.

But first, we need to give you a quick review of all of the happenings at the January and February Milwaukee Area TI 99/4A User meetings (particularly for those of you that had to miss them).

In January, the Group got their chance to use their new TI system for the first time. Two demonstrations were given- First, Gene Olig gave a lengthy "show and tell" presentation on the use and creation of sprites. His demo included a good handout, handy for future programming reference. Next-George Kasica gave an informative look at the world of modems, and in particular, how to utilize a database. George "logged on" to CompuServe and gave a quick run through some of the menus on the system. Attendance at this meeting, and a large turnout for membership renewals seemed to show that interest in our TI computer is very high. It was also quite obvious that having demonstrations at our meetings perks the interest of the majority of the Group. Our System looks like a wise investment on behalf of everyone.

At the meeting, the Group also elected new officers, of which a new list of names and phone numbers are printed here in the Milwaukee Micro Report.

The February meeting included a discussion of the policies surrounding the usage of disks and cartridges from our Library. Membership cards will be held, along with a small deposit, for members who wish to use the Group's cartridges. A very small copying fee was instituted for the Disk Library programs. In addition, Peter Radike gave a demonstration of a Tax Deduction Filer program that originated from Home Computer Magazine.

Newly elected President Jerry Trinkl presided over the February meeting, and advised members that we intend to keep up the demonstrations at all of our meetings, but in order

to do this, we will need people to continue to volunteer and sign up on our "demo sheet". It has become quite obvious to everyone that these types of presentations are very popular, and draw a great interest in our meetings. CONSIDER SHARING YOUR EXPERIENCES ON A PIECE OF HARDWARE OR SOFTWARE WITH THE OTHER GROUP MEMBERS.

COMP-U-SERVE TUTORIAL

CompuServe:
Consumer Information Service

USING THE HOME SERVICES SECTION

By
George Kasica

In this second installment of the series on CompuServe, I will describe some of the features of the Home Services Section. In this section there are many useful and interesting areas to look at.

In order to get to the Home Services Section you must type 60 HOM-1 at any ! prompt. There will be a short pause and then you will see a menu similar to the one in Figure 1. It may be slightly different since the network is constantly changing and expanding in all areas. Well, now to the menu and what it offers for you.

In the first area you can see News/Weather/Sports as a choice. In this option you get to another menu that will allow you to access several daily papers from around the country, as well as the AP Videotex News wire, and AP Sports Wire. These two wire services are updated hourly with the very latest news from all sources, both national and international. Also in this area you will find the NOAA(National Oceanic and Atmospheric Administration)Weather Wire. In this sub-menu you are able to access any of over 700 weather service stations around the country and in other foreign cities like San Juan Puerto Rico. These stations are identified by three letter codes for the specific forecasts(for example Milwaukee is identified by the three letters MKE), and for just a state or area forecast you can type the two letter postal abbreviation for the state(for Wisconsin you would type WI). These forecasts are put out

CONTINUED ON PAGE 2

MILWAUKEE HOME COMPUTER MICRO REPORT

Milwaukee Home Computer MICRO REPORT is published bi-monthly by the Milwaukee Area 99/4A Users Group, located at 2607 N 71ST Street, Wauwatosa, WI 53213. The Milwaukee Area 99/4A Users Group is an association of individuals with the same interest in using, programming, and enjoying their Texas Instruments 99/4A Home Computers. This Users Group is not affiliated with Texas Instruments, nor any other commercial companies or organizations.

Opinions expressed by authors of articles, reviews, or columns do not necessarily reflect those of Milwaukee Home Computer MICRO REPORT. The Editors of this publication reserve all rights to edit or change the original content of articles, columns, reviews, advertisements, endorsements, or other material printed within Milwaukee Home Computer Micro REPORT. ALL the items submitted (except tapes or diskettes) will become full property of this publication. The Milwaukee Micro Report is not responsible for the accuracy of information contained in these pages.

MEMBERSHIP INFORMATION

Membership to the Milwaukee Area 99/4A Users Group is open to anyone who is interested in using and/or programming the Texas Instruments 99/4A Home Computer, and is willing to share his/her fellowship with other members. Annual dues for Individuals - \$10.00, Family membership - \$15.00. This fee helps to defray the expense of the publication of this newsletter and provide a library to members for their enjoyment.

MEETING INFORMATION

Meetings of the Milwaukee Area 99/4A Users Group are held on the SECOND SATURDAY each month in the lower level of Wauwatosa Savings and Loan, located at 7500 W. State Street in Wauwatosa, Wisconsin. Meeting times are from about 1:00 PM to 4:00 PM, depending on the content of the meeting for each particular month. Users are encouraged to bring their computers and/or related hardware and software to any of the meetings to assist members in utilizing their own equipment.

USER GROUP OFFICERS:

PRESIDENT - Jerry Trinkl (327-0170)

VICE-PRESIDENT - Milton Giessen (251-2864)

TREASURER - George Kasica (321-7558)

CORRESPONDENCE SECRETARY - Gene Hitz (453-0499)

RECORDING SECRETARY - Jim Steinhart (475-9028)

GROUP LIBRARIANS (DISK) - Steve Sanders (274-4793)
(4PM-11PM)
(CASS) - Fred Pabian (327-3618)

NEWSLETTER

CO-EDITORS - Peter Radike (282-2158)
Gary Pichler (355-2251)

CONTINUED FROM PAGE 1.

usually 4 times daily. There are also features for other types of weather (sports, skiing, severe storms, etc.) that could prove to be useful if you are travelling or going to be skiing.

The second section is called the Reference Library, and it contains an on-line encyclopedia where you can look up anyone of over 15,000 separate articles. This section is constantly

changing, so no procedure can be given. There are however numerous help menus that can be gotten in most parts of the CIS network just by typing H at any prompt.

The third section of CompuServe, Communications, contains the EasyPlex electronic mail system which has just been in use since January 22. It replaces the old EMAIL system. In EasyPlex, you can send mail to anyone as long as you know their user ID number. As an added feature for those of us with poor memories, (or that loose those important little scraps of paper) the EasyPlex system has an Address-book feature where you can store the names and ID numbers of the people you most frequently write to. Also in this section is the famous CIS CB Network. On this network, you can carry on real time conversations by typing back and forth with others on the system all over the country (just like chatting with a SYSOP on one of the local boards). In the CB section you can pick your own handle, and also one of over 40 channels on either CB Band A or CB Band B.

The fourth section, Home Shopping/Banking, is the area where you can conduct on-line shopping through any one of over 200 different stores including Sears, Penny's, Waldenbooks, B. Dalton Books, numerous computer software dealers, record companies for your favorite record labels, and hundreds of other stores. Also here you can do electronic banking if you belong to some of the larger banks in the country. That list is currently being updated so there is no current information.

FIGURE 1

[1:1H[2JCompuServe[1:70HPage HOM-1

[5:1HHOME SERVICES

- 1 News/Weather/Sports
- 2 Reference Library
- 3 Communications
- 4 Home Shopping/Banking
- 5 Discussion Forums
- 6 Games
- 7 Education
- 8 Home Management
- 9 Travel
- 10 Entertainment

[19:1H[JLast menu page. Key digit or M for previous menu. [19:30H!

The fifth section, the Discussion Forums section is an area that offers the users of CIS a place to discuss their interests or hobbies with others. In it you can find areas of discussion and debate ranging from Cooking to Politics. Currently there are over 600 discussion topics available, so there should be no trouble finding one or more that suit your interests or hobbies.

The sixth section, Games, is just what it appears to be, numerous on-line games such as an interactive game played with others on-line. One of the most popular is called Mega-Wars-III. Also here are the entire Scott Adams adventure series, and many others. Also there are on-line chess games both against another player or the computer. Role-playing games are also popular and constantly being added to the section.

Section number seven, Education, is an area where you can look up information in Grolier's Academic American Encyclopedia, or take the College Board Exam. You can also use interactive programs like a personality analysis or biorhythm program in the Multiple Choice area. There are also

CONTINUED ON PAGE 3

CONTINUED FROM PAGE 2

sections there for deaf users, and a section to use the PILOT language to write simple programs for education.

In the eighth section, Home Management, you are able to do many things that are useful to people who own homes, or just those in need of simple but useful finance oriented programs. Here you can find a loan amortization program, a net worth program, or a checkbook balancing program. Also there is the IDS Financial Service, newly on-line as of January 22, 1985.

The ninth section is of interest to all those who travel, either around the country or just around the Midwest. Here you can find on-line air schedules for all major carriers, State Department travel advisories for those travelling abroad, a unique section that allows you to make your own reservations at many hotels or even get the best price on airfares and make the reservation immediately. The entire section is menu driven so it is quite easy to use.

The last section, Entertainment, gives you the latest Hollywood news, movie reviews, or video tape information. It also has a section that gives the up-to-the-minute Showtime pay service movie listing.

All in all the Home Services Section has many excellent features to offer the CIS subscriber, and at an excellent value for the information returned.

READING ABOUT TI

The following is a list of publications, their addresses, and a brief description of their contents. All service the TI 99/4A computer owner to one degree or another.

Home Computer Magazine 10 ISSUES PER YEAR
Emerald Valley Publishing Co.
P.O. Box 5537
Eugene, OR 97405

1 Yr. Subscription--\$25.00 (\$38.00 for 10 mo. on Disk or Tape)
2 Yr. Subscription--\$45.00 (\$45.00 for 12 mo. on Disk or Tape)
3 Yr. Subscription--\$63.00

This is the original (formerly 99er Magazine) TI support magazine. It has a history of erratic publication, but has a great track record for quality programs, articles, and reviews on TI products over the past 4 years. Has a supplement for ads.

Family Computing Magazine 12 ISSUES PER YEAR
Scholastic Publications
P.O. Box 2512
Boulder, CO 80321

1 Yr. Subscription--\$19.97

A newer magazine, which services TI, Apple, Commodore, Atari, IBM, and TRS-80. It is more for the beginner, and has only easy and primitive programs. Some reviews and articles will surprise you with their quality (once in a while).

Compute Magazine 12 ISSUE PER YEAR
ABC Compute Publications, Inc.
P.O. Box 914
Farmingdale, NY 11737

1 Yr. Subscription--\$24.00
2 Yr. Subscription--\$45.00

An established magazine, covering the TI, Apple, Commodore, IBM, and ADAM. This one, however, seems to be decreasing in its support of TI users. There used to be an average of 3-4 articles for TI programs in every issue, and now there is usually only 1. The December, 1983 issue has an excellent word processor program for TI, but it's been all downhill from there.

Computer Shopper 12 ISSUES PER YEAR
407 S. Washington Ave.
P.O. BOX F
Titusville, FL 32781-9990

1 Yr. Subscription--\$15.00
2 Yr. Subscription--\$24.00

This newspaper/magazine services almost all brands of home computers, with special sections dedicated to various brands-including TI. Randy Holcomb is the resident TI writer, and has done various articles on TI hardware and software. He appears to be up to date on the latest developments for our computer. The majority of this publication is advertisements for all sorts of hardware and software-including those for the TI. A good value at this price!

MICROpendium 12 ISSUES PER YEAR
P.O. BOX 1343
Round Rock, TX 78680

1 Yr. Subscription--\$18.50 (1st Class Mailing)

This newspaper/magazine premiered in January, 1984, and covers all TI 99/4A products. It is dedicated only to the TI, and has a full assortment of reviews, programs, news product info, and other useful material.

While there are other publications that occasionally have TI related material in them, the ones listed here support our machine on a regular basis. In addition to these magazines, several quality newsletter-type magazines are printed, such as Millers Graphics Newsletter. This one is for advanced programmers in particular, by dealing in Fort and Assembly Language information. Subscriptions are \$12.50 per year, and can be ordered from:

Millers Graphics
1475 W. Cypress Ave.
San Dimas, CA 91773

There are currently 76 Milwaukee Area 99/4A Users Group members that have paid 1985 dues. The 1985 dues prices are now ---- \$10.00 per individual and \$15.00 for the family membership. ONLY PAID DUES MEMBERS can receive the newsletter of the User Group - the Milwaukee Home Computer Micro Report, as well as borrow tapes or disks from the Group Library.

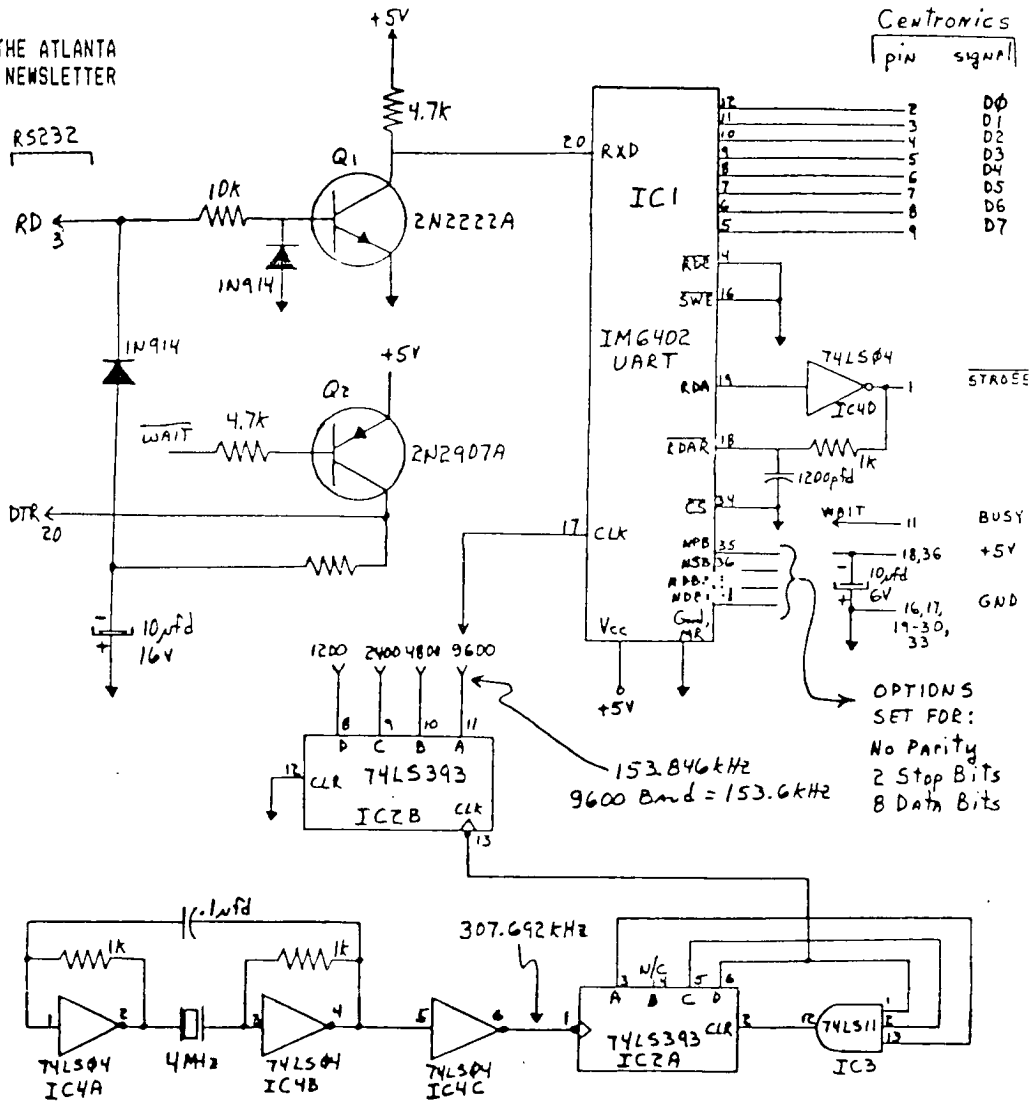
Currently, there are 400 programs in the Library for the use of members. These program tapes and disks may be obtained at User Group meetings by means of presentation of a membership card and fee or deposit (Disk copies are \$1.00 if user provides a disk, \$3.00 if Group provides one).

The Milwaukee Area 99/4A User Group dues are maintained in the treasury for printing a newsletter and library upkeep.

As of this newsletter publication date, the treasurer is reporting an account balance of \$470.00. The treasury is replenished by annual dues payment and RENEWALS. All paid members receive an annual membership card.

Here is a nifty project for the experimenter. Do you have a lot of software that is configured for RS232 yet you have a parallel printer? Well, this little gizmo will output on the serial port making the computer think it is talking to the RS232 and then on this external circuit all the data is converted to parallel for the parallel printer requirements. This circuit produces a CENTRONICS compatible interface. Good Luck.

-REPRINTED FROM THE ATLANTA 99/4A USER GROUP NEWSLETTER

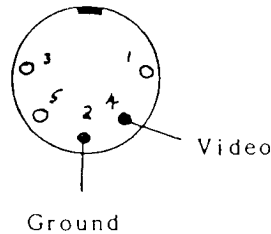


-REPRINTED FROM SOFTEX, THE AUSTRALIA 99/4A NEWSLETTER

USING a BLACK and WHITE MONITOR.

The TI Video output is a color signal but an acceptable B&W monitor picture can be obtained by taking the 2 signals shown below to the monitor input.

Use shielded cable with shielding braid connected to the Ground pin.



Video connector facing back of computer.

Use what ever plug mates with monitor.

DISK LIBRARY LISTINGS

DSK2.-DISKNAME= 00001
 AVAILABLE= 12 USED= 346
 FILENAME SIZ TYPE P

BATTLESTAR 21 PROGRAM
 DARTS 29 PROGRAM
 FTBALLTEAM 25 PROGRAM
 HOTDOG 16 PROGRAM
 LOAD 4 PROGRAM
 POKER 21 PROGRAM
 SPACECMD 38 PROGRAM
 SPACEGEM 11 PROGRAM
 SPACEPILOT 15 PROGRAM
 SPACPATROL 21 PROGRAM
 SPORTS 12 PROGRAM
 STARTREK 29 PROGRAM
 TICTCTOE3D 37 PROGRAM
 TITAN 29 PROGRAM
 ZANQUEST 38 PROGRAM

DSK2.-DISKNAME= 00002
 AVAILABLE= 16 USED= 342
 FILENAME SIZ TYPE P

BEELINE 27 PROGRAM
 CROSSFIRE 19 PROGRAM
 CYBERDICE 31 PROGRAM
 FORCEONE 32 PROGRAM
 GOLF 35 PROGRAM
 HELICOPTER 36 PROGRAM
 INVADER 14 PROGRAM
 JACKPOT 39 PROGRAM
 LOAD 4 PROGRAM
 MICROJAWS 7 PROGRAM
 SMILEY 17 PROGRAM
 TICTACTOE 36 PROGRAM
 TRAPSHOOT 15 PROGRAM
 UPSCOPE 30 PROGRAM

DSK2.-DISKNAME= 00003
 AVAILABLE= 255 USED= 103
 FILENAME SIZ TYPE P

BOMB 14 PROGRAM
 DUMP 11 DIS/FIX80
 LOAD 6 PROGRAM
 LOADBOMB 9 DIS/FIX80
 LOADMAZE 9 DIS/FIX80
 LOADMOUS 9 DIS/FIX80
 MAZE 11 PROGRAM
 MOUS 13 PROGRAM
 XREF 21 DIS/FIX80

DSK2.-DISKNAME= 00004
 AVAILABLE= 194 USED= 164
 FILENAME SIZ TYPE P

CASTLE 21 PROGRAM
 CASTLEOBJ 39 DIS/FIX80
 KING 28 DIS/FIX80
 KINGOBJ 55 DIS/FIX80
 LOAD 2 PROGRAM
 TAPEMAP 19 DIS/FIX80

DSK2.-DISKNAME= 00005
 AVAILABLE= 61 USED= 297
 FILENAME SIZ TYPE P

AMERICA 38 PROGRAM Y
 BEEHIVE 29 PROGRAM
 CASHFLOW 30 PROGRAM
 ESCAPE 41 PROGRAM
 JUNGLEJIM 35 PROGRAM
 LOAD 4 PROGRAM
 RACKO 9 PROGRAM
 ROBOCHASE 6 PROGRAM
 SFORM 42 PROGRAM
 SFORMDATA 9 INT/FIX192
 SFORMSUPP 10 PROGRAM
 TARTOT 44 PROGRAM

DSK2.-DISKNAME= 00006
 AVAILABLE= 8 USED= 350
 FILENAME SIZ TYPE P

AIRDEFENCE 18 PROGRAM
 ALIENATTAK 45 PROGRAM
 BATTLEARTH 28 PROGRAM
 BATTLESEA 46 PROGRAM
 BLOCKADE 42 PROGRAM
 LOAD 4 PROGRAM
 ROCKETS 13 PROGRAM
 SP/JUNKET 23 PROGRAM
 STAR-CORPS 14 PROGRAM
 STARGUARD 37 PROGRAM
 SURVIVAL 40 PROGRAM
 TITREK 40 PROGRAM

DSK2.-DISKNAME= 00007
 AVAILABLE= 36 USED= 322
 FILENAME SIZ TYPE P

BATTLEIAP 46 PROGRAM
 BLACKJACK 19 PROGRAM
 CHECKERS 38 PROGRAM
 DEALER 33 PROGRAM
 INDIAN 26 PROGRAM
 LOAD 4 PROGRAM
 MINER 39 PROGRAM
 QUINTUS 24 PROGRAM
 RUBIK-CUBE 20 PROGRAM
 TEX-THELLO 30 PROGRAM
 YAHTZEE 43 PROGRAM

DSK2.-DISKNAME= 00008
 AVAILABLE= 3 USED= 355
 FILENAME SIZ TYPE P

ANTIAR 27 PROGRAM
 ASTROSTORM 12 PROGRAM
 BOAALLEY 17 PROGRAM
 LOAD 4 PROGRAM
 MASTERMIND 20 PROGRAM
 MAZERACE 20 PROGRAM
 MINER 26 PROGRAM
 MISSION 39 PROGRAM
 SIMON 44 PROGRAM
 SPACECOUT 38 PROGRAM
 SPACEWAR 49 PROGRAM
 STATBASKET 18 PROGRAM
 TUNLVISION 41 PROGRAM

DSK2.-DISKNAME= 00009
 AVAILABLE= 218 USED= 140
 FILENAME SIZ TYPE P

LOAD 4 PROGRAM
 OZ 88 INT/VAR254
 OZDATA1 5 INT/FIX40
 OZDATA2 8 INT/FIX20
 OZFILE1 8 PROGRAM
 OZFILE2 11 PROGRAM
 RAINBOW 16 PROGRAM

DSK2.-DISKNAME= 00010
 AVAILABLE= 0 USED= 358
 FILENAME SIZ TYPE P

FRTHGAMES1 358 DIS/FIX128

DSK2.-DISKNAME= 00011
 AVAILABLE= 0 USED= 358
 FILENAME SIZ TYPE P

FRTHGAMES2 358 DIS/FIX128

DSK2.-DISKNAME= 00012
 AVAILABLE= 24 USED= 334
 FILENAME SIZ TYPE P

BOING 13 PROGRAM
 BRAIN 35 PROGRAM
 CADETTE 14 PROGRAM
 CATALOG 5 PROGRAM
 DARKTHINGS 27 PROGRAM
 DEVASTATOR 18 PROGRAM
 DIALAWORD 5 PROGRAM
 FLAK/ATT 17 PROGRAM
 GRISLY 34 PROGRAM
 JUMPER 34 PROGRAM
 LOAD 5 PROGRAM
 MUSIC 5 PROGRAM
 NERMWORM 26 PROGRAM
 PENTOMINOS 13 PROGRAM
 QUATRIN 26 PROGRAM
 THE/FLY 10 PROGRAM
 WALLSTREET 27 PROGRAM
 WILD/K 20 PROGRAM

DSK2.-DISKNAME= 00013
 AVAILABLE= 61 USED= 297
 FILENAME SIZ TYPE P

ALPHABLAST 10 PROGRAM
 BALOONPOP 8 PROGRAM
 BIRDBRAIN 33 PROGRAM
 BLACK/TUNN 14 PROGRAM
 CANNIBALS 22 PROGRAM
 CIRCUS 18 PROGRAM
 CRAZYCLIMB 17 PROGRAM
 HOMEBOUND 46 PROGRAM
 LOAD 5 PROGRAM
 METEORESCU 27 PROGRAM
 PARATROOP 19 PROGRAM
 RABID 10 PROGRAM
 RUNWAY 24 PROGRAM
 SP/DODGE 7 PROGRAM
 TACOMAN 22 PROGRAM
 THRUSTER 15 PROGRAM

DSK2.-DISKNAME= 00026
 AVAILABLE= 3 USED= 355
 FILENAME SIZ TYPE P

 AMERICA 15 PROGRAM
 CANON 8 PROGRAM
 DOREMESONG 25 PROGRAM
 GLENDYBURK 46 PROGRAM
 GREEN/V&F 69 INT/VAR254
 LOAD 19 PROGRAM
 PUFF/FILE 12 INT/VAR80
 PUFFDRAGON 63 INT/VAR254
 TRAINLOVER 55 INT/VAR254
 YESTERDAY 43 PROGRAM

DSK2.-DISKNAME= 00027
 AVAILABLE= 67 USED= 291
 FILENAME SIZ TYPE P

 BOAT-SONG 27 PROGRAM
 DUSTINWIND 14 PROGRAM
 LOAD 3 PROGRAM
 LONG&WROAD 19 PROGRAM
 MAINSCREEN 17 PROGRAM
 ORGAN 38 PROGRAM
 PUPPY-TOWN 34 PROGRAM
 R-BOOGIE 17 PROGRAM
 THRILLER 70 INT/VAR254
 VENUS 26 PROGRAM
 W-BOOGIE 26 PROGRAM

DSK2.-DISKNAME= 00028
 AVAILABLE= 313 USED= 45
 FILENAME SIZ TYPE P

 MUSIC 6 DIS/FIX80
 MUSICSAVE 39 PROGRAM

DSK2.-DISKNAME= 00029
 AVAILABLE= 44 USED= 314
 FILENAME SIZ TYPE P

 ANTHEM 14 PROGRAM Y
 BESTFILE 12 DIS/VAR80
 BISMARCK 12 PROGRAM Y
 BUTYOUKNOW 22 PROGRAM Y
 CANT/HELP 12 PROGRAM Y
 COOL/WATER 16 PROGRAM Y
 COULD/1 22 PROGRAM Y
 DOVE 20 PROGRAM
 ENDING 6 PROGRAM Y
 GREEN 14 PROGRAM Y
 HALLELUJAH 20 PROGRAM Y
 HOUSTON 29 PROGRAM Y
 LOAD 12 PROGRAM Y
 LOOKN4LOVE 35 PROGRAM Y
 MANDY 14 PROGRAM Y
 PRAYER 34 PROGRAM Y
 WED/SONG 20 PROGRAM Y

DSK2.-DISKNAME= 00030
 AVAILABLE= 24 USED= 334
 FILENAME SIZ TYPE P

 ABIDE 9 PROGRAM Y
 ASSURANCE 12 PROGRAM Y
 CHILDREN 14 PROGRAM Y
 CLOSERWALK 10 PROGRAM Y
 COMMENTS 8 PROGRAM Y

ET/FATHER 9 PROGRAM Y
 FINALE 8 PROGRAM Y
 HOLY/HOLY 11 PROGRAM Y
 J/SAVES 10 PROGRAM Y
 JUST 9 PROGRAM Y
 JUSTFILE 11 INT/VAR80
 LOAD 14 PROGRAM Y
 LORDPRAYER 34 PROGRAM Y
 LOVE/LIFT 13 PROGRAM Y
 NEED/THEE 15 PROGRAM Y
 OLD-TIME 14 PROGRAM Y
 OLD/CROSS 15 PROGRAM Y
 ROCK/AGES 9 PROGRAM Y
 SOFTLY 14 PROGRAM Y
 TELLSTORY 10 PROGRAM Y
 WHERE/HE 8 PROGRAM Y
 WHY/ME 23 PROGRAM Y
 WILDWOOD 18 PROGRAM Y
 XMASMEDLEY 36 PROGRAM Y

DSK2.-DISKNAME= 00031
 AVAILABLE= 20 USED= 338
 FILENAME SIZ TYPE P

 BARTENDER 43 PROGRAM
 COOKIEFILE 28 PROGRAM
 FORM-GEN 28 PROGRAM
 GOLD 4 PROGRAM
 GRAPHMS6 40 PROGRAM
 LIBRARIAN 16 PF==AM
 LOAD 4 PF==AM
 MAILINGLST 26 PROGRAM
 RECORD 24 PROGRAM
 RULEOF78 24 PROGRAM
 SECRETARY 37 PROGRAM
 SPEAKSPELL 6 PROGRAM
 SPEECH 13 PROGRAM
 SPEECHSUF 8 PROGRAM
 TYPING 9 PROGRAM
 WORDPROC 28 PROGRAM

DSK2.-DISKNAME= 00032
 AVAILABLE= 7 USED= 351
 FILENAME SIZ TYPE P

 DIAG/PART2 16 DIS/VAR80
 DIAGNOS/1 60 DIS/FIX80
 DIAGNOS/2 15 DIS/FIX80
 DIAGNOSTIC 80 DIS/VAR80
 DISKO 49 DIS/FIX80
 EXPBOX 5 PROGRAM
 LOAD 4 PROGRAM
 MEMEX 9 DIS/FIX80
 P/CODE 14 DIS/FIX80
 PRINTER 7 PROGRAM
 PRINTER#2 9 PROGRAM
 RS232 12 PROGRAM
 RS232/2 22 DIS/FIX80
 RS232/SOU 30 DIS/VAR80
 SPEECH 16 PROGRAM
 TP 3 PROGRAM

DSK2.-DISKNAME= 00033
 AVAILABLE= 14 USED= 344
 FILENAME SIZ TYPE P

 BIT2 6 DIS/FIX80
 BITMAP 14 DIS/VAR80
 PROG 1 DIS/FIX80

TE3/DOC 10 DIS/VAR80
 TE30 54 DIS/FIX80
 TE3S 9 DIS/VAR80
 TE3S1 76 DIS/VAR80
 TE3S2 35 DIS/VAR80
 TE3S3 35 DIS/VAR80
 TERMEX 32 DIS/FIX80
 TERMEXDOCS 23 DIS/VAR80
 WINDOW 14 DIS/VAR80

DSK2.-DISKNAME= 00034
 AVAILABLE= 0 USED= 358
 FILENAME SIZ TYPE P

 FRTHCOPIER 358 DIS/FIX128

DSK2.-DISKNAME= 00035
 AVAILABLE= 25 USED= 333
 FILENAME SIZ TYPE P

 80-READER 5 PROGRAM
 CALENDAR 11 PROGRAM
 DEFTABLE 15 PROGRAM
 DISASSM/S 80 DIS/VAR80
 DISKMAP 22 DIS/VAR80
 E/ADIS 20 DIS/FIX80
 LOAD 15 PROGRAM
 MINIMEM 14 PROGRAM
 MMDIS 20 DIS/FIX80
 TI*DSKFIXR 49 DIS/FIX80 Y
 TIMER 7 DIS/FIX80
 TIMER/S 35 DIS/VAR80
 XBDIS 40 DIS/FIX80

DSK2.-DISKNAME= 00036
 AVAILABLE= 3 USED= 355
 FILENAME SIZ TYPE P

 DEMO/PLDMP 6 PROGRAM
 DSRLNK 7 DIS/FIX80
 DSRSOURCE 12 DIS/VAR80
 OUMP 10 DIS/FIX80
 DUMPSOURCE 32 DIS/VAR80
 JUSTFY 6 DIS/FIX80
 JUSTFYSRCE 24 DIS/VAR80
 LOAD 4 PROGRAM
 LOGO 10 DIS/FIX80
 LOGOSOURCE 26 DIS/VAR80
 PLOT 9 DIS/FIX80
 PLOTSOURCE 40 DIS/VAR80
 QUICKSRC. 15 DIS/VAR80
 RECSCR 5 DIS/FIX80
 RECSCR/S 15 DIS/VAR80
 SAVSCR 6 DIS/FIX80
 SAVSCR/S 15 DIS/VAR80
 SCREENS 3 PROGRAM
 SCROLL 9 DIS/FIX80
 SCROLLDEMO 8 PROGRAM
 SCROLLSRCE 32 DIS/VAR80
 SORT 9 DIS/FIX80
 SORTDEMO 5 PROGRAM
 TEXTJUSTFY 4 PROGRAM
 TIME 10 PROGRAM
 VDP 6 DIS/FIX80
 VOPDEMO 7 PROGRAM
 VOPSOURCE 10 DIS/VAR80
 VENUS 10 PROGRAM

DSK2.-DISKNAME= 00037
 AVAILABLE= 78 USED= 290
 FILENAME SIZ TYPE P

LOAD	6	PROGRAM	
LOAD2	22	PROGRAM	
LOAD3	12	DIS/FIX80	
SBUS	97	DIS/FIX80	
SBUSC	45	DIS/FIX80	
SBUGHELP	59	DIS/VAR80	
TIWORDPROC	39	PROGRAM	

DSK2.-DISKNAME= 00038
 AVAILABLE= 31 USED= 327
 FILENAME SIZ TYPE P

CARDFILE	50	INT/VAR254	
COLORALIGN	33	PROGRAM	
DIRECTORY	4	PROGRAM	
LOAD	3	PROGRAM	
MASSCOPY	17	DIS/FIX80	
RX-KINETIC	58	INT/VAR254	
SNAPCALC	31	PROGRAM	
SPRITER	22	PROGRAM	
SUPERGRAPH	22	PROGRAM	
TAXDEDUCTS	23	PROGRAM	
TINYPLAN	41	PROGRAM	
VERBOSE	13	PROGRAM	

DSK2.-DISKNAME= 00040
 AVAILABLE= 0 USED= 358
 FILENAME SIZ TYPE P

DEFAULT	9	DIS/FIX80	
DRIVE#	5	PROGRAM	
LDSRLNK	8	DIS/VAR80	
LINIT	17	DIS/VAR80	
LIST/TXT	4	DIS/VAR80	
LISTOBJ	23	INT/FIX255	
LKEY	13	DIS/VAR80	
LNOVBUF	10	DIS/VAR80	
LPARAM	35	DIS/VAR80	
LPRINT	25	DIS/VAR80	
LREF	55	DIS/VAR80	
LTABLES	25	DIS/VAR80	
MAINLIST	43	DIS/VAR80	
NEATDOC	72	DIS/VAR80	
NEATDOCBAS	3	PROGRAM	
NEATLIST	11	DIS/FIX80	

DSK2.-DISKNAME= 00041
 AVAILABLE= 172 USED= 186
 FILENAME SIZ TYPE P

BLOCKLET	28	PROGRAM	
DIRECTORY	4	PROGRAM	
FACTOR-FOE	35	PROGRAM	
HANGMAN	26	PROGRAM	
HEBREWTYPE	20	PROGRAM	
M4P	37	PROGRAM	
SPELL TE2	15	PROGRAM	
STATES	21	PROGRAM	

DSK2.-DISKNAME= 00046
 AVAILABLE= 9 USED= 349
 FILENAME SIZ TYPE P

ALPHABET	21	PROGRAM	
AMERICA	38	PROGRAM	
CANADA	39	PROGRAM	

DIRECTORY 4 PROGRAM
 MYSTRYSPEL 42 PROGRAM
 OUTLINER 32 PROGRAM
 QUIZMAP 31 PROGRAM
 SAY&SPELL 44 PROGRAM
 WISCOUNTYS 56 INT/VAR254
 WORD-WORLD 42 PROGRAM

DSK2.-DISKNAME= 00047
 AVAILABLE= 94 USED= 264
 FILENAME SIZ TYPE P

BANKING	32	PROGRAM	
LOAD	4	PROGRAM	
STK/SAMPLE	168	INT/FIX80	Y
STOCK	21	PROGRAM	
STOCKPART2	39	PROGRAM	

DSK2.-DISKNAME= 00051
 AVAILABLE= 0 USED= 358
 FILENAME SIZ TYPE P

FORTH	6	DIS/FIX80	Y
FORTHSAVE	39	PROGRAM	Y
SYS-SCRNS	313	DIS/FIX128	Y

DSK2.-DISKNAME= 00052
 AVAILABLE= 108 USED= 250
 FILENAME SIZ TYPE P

ASMSRC	2	DIS/VAR80	
ASMSRC1	58	DIS/VAR80	
ASMSRC2	73	DIS/VAR80	
ASMSRC3	64	DIS/VAR80	
FORTH2	53	DIS/FIX80	

DSK2.-DISKNAME= 00053
 AVAILABLE= 178 USED= 180
 FILENAME SIZ TYPE P

BOOT	21	DIS/VAR80	
BOOTBJ	6	DIS/FIX80	
DRIVER	98	DIS/VAR80	
UTILEQU	3	DIS/VAR80	
UTILRAM	4	DIS/VAR80	
UTILROM	48	DIS/VAR80	

DSK2.-DISKNAME= 00056
 AVAILABLE= 0 USED= 358
 FILENAME SIZ TYPE P

P1EDIT-FIL 358 DIS/FIX128

DSK2.-DISKNAME= 00057
 AVAILABLE= 0 USED= 358
 FILENAME SIZ TYPE P

P1ASM-LINK 358 DIS/FIX128

DSK2.-DISKNAME= 00058
 AVAILABLE= 0 USED= 358
 FILENAME SIZ TYPE P

P1COMPILER 358 DIS/FIX128

DSK2.-DISKNAME= 00059
 AVAILABLE= 0 USED= 358
 FILENAME SIZ TYPE P

P1UTILITY 358 DIS/FIX128

DSK2.-DISKNAME= 00061
 AVAILABLE= 27 USED= 331
 FILENAME SIZ TYPE P

1-PRINTART	5	PROGRAM	
84CALENDAR	15	DIS/VAR80	
ANDY/CAPP	20	DIS/VAR80	
CBROWN/CAL	50	DIS/VAR80	
CHAR/BROWN	35	DIS/VAR80	
DAVID	44	DIS/VAR80	
DAWG	41	DIS/VAR80	
FLYING/ACE	29	DIS/VAR80	
HOLLHOBBIE	30	DIS/VAR80	
KIRK	27	DIS/VAR80	
LINUS	30	DIS/VAR80	
LOAD	5	PROGRAM	

DSK2.-DISKNAME= 00062
 AVAILABLE= 15 USED= 343
 FILENAME SIZ TYPE P

2-PRINTART	5	PROGRAM	
DAWG	1	DIS/VAR80	
LOAD	19	PROGRAM	
MICKEY/MSE	17	DIS/VAR80	
MICKEYMSE	1	DIS/VAR80	
PAC-MAN	18	DIS/VAR80	
PHANTOMJET	19	DIS/VAR80	
PINKPANTHR	18	DIS/VAR80	
PLUTO	22	DIS/VAR80	
RETURN/PP	32	DIS/VAR80	
SCHRODER	15	DIS/VAR80	
SNOOPYBLAH	18	DIS/VAR80	
SPOCK	28	DIS/VAR80	
TWEETIE	32	DIS/VAR80	
VALENTINE	44	DIS/VAR80	
WARM/PUPPY	54	DIS/VAR80	

DSK2.-DISKNAME= 00063
 AVAILABLE= 2 USED= 356
 FILENAME SIZ TYPE P

BEAU	45	DIS/FIX80	
CASSY	38	DIS/FIX80	
JANE	49	DIS/FIX80	
LOAD	4	PROGRAM	
MAKEYMARK	37	PROGRAM	
MORG	43	DIS/FIX80	
PLAY	47	DIS/FIX80	
ROXA	49	DIS/FIX80	
SENDDATA	4	PROGRAM	
TANYA	40	DIS/FIX80	

DSK2.-DISKNAME= 00064
 AVAILABLE= 46 USED= 312
 FILENAME SIZ TYPE P

FINALE	18	PROGRAM	
LOAD	2	PROGRAM	
R	4	PROGRAM	
SH/1	35	PROGRAM	
SH/2	52	INT/VAR254	
SHUTTLE	87	INT/VAR254	
ST	36	PROGRAM	
STAR	27	DIS/VAR163	
STAR*	19	PROGRAM	
TITLE	32	PROGRAM	

DSK2.-DISKNAME= 00065
 AVAILABLE= 173 USED= 185
 FILENAME SIZ TYPE P

```

-----
BOAT1      5 PROGRAM
BOAT2      5 PROGRAM
CIRCLE     2 PROGRAM
COPYRIGHT1 3 PROGRAM
COPYRIGHT2 3 PROGRAM
COPYRIGHT3 4 PROGRAM
DIR        4 PROGRAM
EZPRINT   16 PROGRAM
FONTSTYLES 8 PROGRAM
GRAPHICS   7 PROGRAM
LOAD       6 PROGRAM
MACRO      3 PROGRAM
MAP        2 PROGRAM
NAMEWAVE   3 PROGRAM
PARAGRAPH  3 PROGRAM
PRINTMAZE  21 PROGRAM
PRINTSOFT  46 PROGRAM      Y
SMILE      3 PROGRAM
TILDE      2 PROGRAM
VERTSPACE  3 PROGRAM
WRDSRCH1   11 PROGRAM
WRDSRCH2   20 PROGRAM
WYOMING    5 PROGRAM
    
```

DSK2.-DISKNAME= 00066
 AVAILABLE= 57 USED= 301
 FILENAME SIZ TYPE P

```

-----
DOC/BAS    3 PROGRAM
DUMPCB     13 DIS/FIX80
DUMPDOC    60 DIS/VAR80
DUMPIXB    28 DIS/FIX80
DUMPIXB/TXT 121 DIS/VAR80
LINPUT     6 PROGRAM
LOAD       4 PROGRAM
UTILITY    9 PROGRAM
dorint     57 DIS/FIX80
    
```

DSK2.-DISKNAME= 00071
 AVAILABLE= 67 USED= 291
 FILENAME SIZ TYPE P

```

-----
CHARA1     9 PROGRAM
EDITA1     33 PROGRAM
EDITA2     6 PROGRAM
FORMA1     33 PROGRAM
FORMA2     15 PROGRAM
FORMA4800A 33 PROGRAM
FORMA4800B 15 PROGRAM
MPBASE     41 PROGRAM
MPCHAR     9 PROGRAM
MPDATA     33 PROGRAM
MPINTR     33 PROGRAM
OVERLAY    31 INT/FIX128
    
```

DSK2.-DISKNAME= 00075
 AVAILABLE= 16 USED= 342
 FILENAME SIZ TYPE P

```

-----
AUG99     46 DIS/VAR80
AUG99/2   84 DIS/VAR80
AUG99/3   73 DIS/VAR80
AUG99/4   67 DIS/VAR80
AUG99/5   72 DIS/VAR80
    
```

DSK2.-DISKNAME= 00076
 AVAILABLE= 155 USED= 203
 FILENAME SIZ TYPE P

```

-----
BBS_NO'S  17 DIS/VAR80
CALL_LOADS 15 DIS/VAR80
CURSEA     4 DIS/VAR80
DEFSTATE   10 PROGRAM
DISK_INFO  31 DIS/VAR80
FORTH_TIPS 9 DIS/VAR80
GEMINI 10X 6 PROGRAM
SUBA-08J   9 DIS/FIX80
SUBDEMO    20 PROGRAM
SUBFILE-A  36 DIS/VAR80
    
```

TEXT TRANS 3 PROGRAM
 TIBBS_NO'S 19 DIS/VAR80
 TRANSLATE2 17 PROGRAM
 WRITERINFO 7 DIS/VAR80

DSK2.-DISKNAME= 00077
 AVAILABLE= 0 USED= 358
 FILENAME SIZ TYPE P

 FORTHTIPS 358 DIS/FIX128

 ! SECTORS: 2636 AVAILABLE, 14190 USED !

 ! TOTALS: 47 DISKS, 474 PROGRAMS !

FORTH INFORMATION CENTER

The latest word is that with our groups preoccupation and expertise with TI-FORTH, we have been designated as the National TI-FORTH Information Center. Sounds like more mail for Gene Hitz to answer.

PASCAL SIG GROUP FORMED

Jim Steinhart, our Secretary, who claims that he had a small reason for a Pascal SIG, and Gary Feltz, who

just got his hands on a card last month, have started a Pascal SIG. Next meeting will be at Gary's house April 13 following the regular club meeting. Anyone who knows anything about the TI implementation of Pascal is asked to pass along some of their wisdom. Especially needed is advise on how to convert the standard TI Display/Vac 80 files to something that can be read in Pascal.

FORTH National Clearing House
 2007 N. 71 St.
 Wauwatosa WI 53213

Tutorials	UG source	Pages
Beginning	NSP	3
Customizing	Edmonton	2
Disk Fixer	Edmonton	2
Loops	NewHorizon	1
Parameters	Dimensions	1
FileTranV80	Milwaukee	1
Arrays	Milwaukee	3
DS-DD	Milwaukee	2

Public Domain Disks

- TI FORTH System
- TI FORTH Source A
- TI FORTH Source B
- TI Graphics/Sound Demo
- Data I John Volk R1 B291 VanBuren Ark 72956
- Data II " " " " "
- Data III National Clearing House

XB forth loader

To cover costs of Disks Mailers Postage & Xerox
 Tutorials \$.10 / page
 Disks \$ 3.00
 FORTH Manuals \$20.00

Data I	Data II	Data III
Number guess	Disk-init	DiskInit SSSD
Moire pattern	Disk/screen	DiskInit DSSD
Sprite demo	Screen/disk	FastCopy 1/2 dr
Poem	Clone2/3drive	DiskCataloger
Real time clock	Disass	Kibbit
Airplane shoot	XB-Forth	Shoot S99M game
Battlestar	PrinterCommands	Number Race(2-P)
Diamond draw	Game of life	DiskFixer
Dots & lines	SpeechRes	DSR Peeker
Crazy quilts	Circle	-EDITOR auto/rpt
Move a block	Aquarium	& more coming
Suicide Ships	Breakforth	<i>auto-decimal screen commands</i>
Nuke attack	ISR Clock	<i>64 support debug</i>
1 drive copier	Micro-Jaws	<i>sound interface</i>
MiniForthWriter	3 pass copyer	<i>file transfer</i>
ForthCopyWord	ScreenDump	<i>graphics</i>
MostUsedWords	Disk/list	
	& more	

*data IV
 also almost
 full already*

We welcome any public domain submissions

Milwaukee Area 99-4 Users Group
2007 N. 71
Wauwatosa, WI 53213



Edmonton 99 06
bx 11983
Edmonton Alberta
Canada T5J-3L1