



**p.o. box 11983
Edmonton, Alberta
Canada T5J 3L1**

99'er on line... is the newsletter of the Edmonton 99'er Computer User's Society published ten times a year. Unless otherwise stated, all articles may be republished in other Newsletters provided that source and author are identified. We will in turn credit authors quoted in 99'er ON LINE.

NEWSLETTER CORRESPONDENCE: Editor: John Harbour, 13857-114st. Edmonton, Alberta, Canada. TSX 481 (403) 456-0862.

OFFICERS: President Yves Chevalier; Vice President Ken Godbeer; Treasurer Dennis Miller; Secretary Roxanne Appelt.
OFFICERS AT LARGE: Paul Helwig Newsletter Library; Gordon Bradlee Book Library; Win Appelt Disk Library; Ron Hohmann Module & Cassette Library; Tom Hall Sysop, Club Bulletin Board 424-3258, 300/1200Baud.

DISCLAIMER: Information published in this Newsletter is created by and for amateurs, therefore, we cannot guarantee the accuracy or use of presented information.

REGULAR MEETINGS: of the Edmonton 99'er Computer User's Society are held on the second Tuesday of each month in room 849 of the General Service Building of the University of Alberta from 7:00 till 10:00PM, and are open to all members in good standing. Non-members may attend their first meeting free of charge.

ADVERTISEMENTS: Commercial space is available in this Newsletter at the following rates: Full page \$20.00, Half page \$15.00, 1/4 page \$10.00. Discuss your needs with John, at (403) 456-0862, or the next meeting, alternatively send "photo ready" copies to him. Members may advertise their personal computer related items for free but are asked to limit their ads to about 50 words. Mail your ads., to the Editors address or hand it to him at the General Meeting; Newsletter deadline 3'rd Monday of the month.

MEMBERSHIP FEES: Family; 12 months \$20.00, 6 months \$15.00. Students; 12 months \$15.00, 6 months \$10.00. New member initiation; \$20.00.

OFFHAN COMPUTER



**EDMONTON
RED DEER
CALGARY**



Car Pool

14 MAY 1988. COUNTRY LODGE INNISFAIL

(15 MIs from Red Deer)

Entry Fee: \$3.00/person.

0900Hrs/1600Hrs.

(9.00AM/4.00PM).

Tables provided.

Volunteer MEMBER.....

**Participation at this
SHOP/Meet appreciated.**

TIMES APPROXIMATE...



CONTACT:

Win Appelt

Edm.Co-ordinator

(403)939-3826

NEXT MEETING.

The next meeting will be on April 12th. at 7:15 PM. General Service Building, U of A Campus room 849.

------(News Letter)-----

LAST MEETING.

by: Roxanne Appet.

General Meeting called to order at 7:30 PM

Points discussed:

The upcoming TI Meet between Edmonton, Red Deer & Calgary groups to be held on Saturday May 14 in (mississ). Plans for Group Barbeque in June.

The treasurer reported a current balance of \$385.51

It was noted that the TI-Writer SIG is going real well, also the Hardware SIG's are to resume soon.

Our President Yves gave us a good run-down on the latest TI happenings at the Ottawa TI-Fest, displaying some new software that he picked up from there.

Ron Hohmann reported a new addition to the Module Library. It's a Centipede module that he has generously donated.

Bob Chapman gave us an informative demo on the workings of Multiplan.

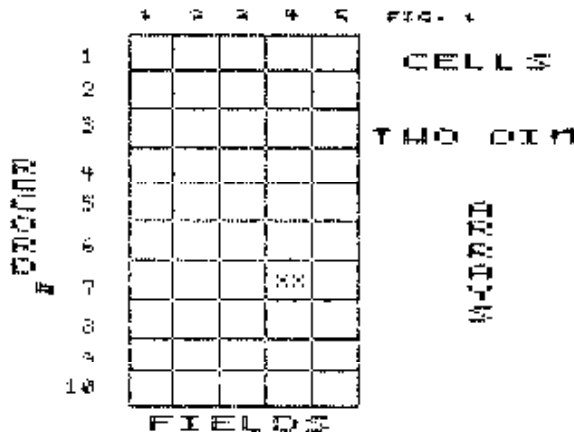
Paul Helwig gave us an interesting demo on the uses of a CRT Terminal connected to the RS232 port.

------(News Letter)-----

TWO DIMENSIONAL ARRAYS.

by: John.

The real power of Arrays becomes more apparent in the handling of tabular data. This arrangement can be visualised like our original row of boxes but now additional rows have been placed under the first. The diagram below, Fig.1, of the Array, "CELLS" illustrates this concept:



Notice now, however, that the diagram has numbered rows (records) and columns (fields). Each element in "CELLS" can be referenced by a pair of numbers. For example, the element marked "X" can be loaded by using the Array name CELLS(7,4). The first number always selects the row and the second, the column.

For this example, it would not be necessary to DIMension the Array. The computer automatically reserves space for 11X11=121 elements in memory when it encounters the first program reference to this Array. But notice that only 10X5=50 elements are required! This is most wasteful of memory, particularly if the Array has to contain numbers, as the computer must reserve 8 Bytes for each number. The Array can be DIMensioned with the statement:

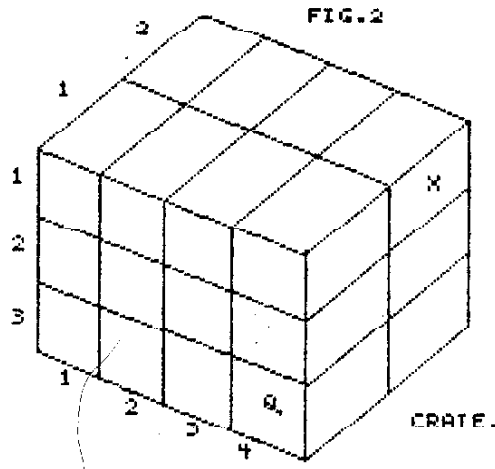
```
DIM CELLS(10,5)
```

In this case, it usually a good idea to keep element zero(0); these areas can be used to store column and row headers or data items such as record lengths which could be used by your program in file manipulations.

The elements of a two dimensional Array are easily handled with nested loops. The following program fills the Array "CELLS" with sequential numbers 1 through 50 by rows:

```
100 A=1
110 FOR ROW=1 TO 10
120 FOR COL=1 TO 5
130 CELLS(ROW,COL)=A
140 A=A+1
150 NEXT COL
160 NEXT ROW
```

So far we have discussed one and two dimensional Arrays. TI Basic allows up to three dimensions; to visualize this, refer to the following Array, Fig.2. "CRATE":



You can imagine that "CRATE" is filled with boxes that contain data items. The element marked "X" can be accessed with "CRATE(1,4,2)" while element "Q" is "CRATE(3,4,1)". Three dimensional Arrays consume memory at a prodigious rate. It is essential that they are dimensioned. For this example DIM CRATE(3,4,2) would do the job.

Some computers will allow even more dimensions. That's when things get to be more confusing! About the only analogy you could draw is one of boxes, in cartons, in crates, in trucks -----.

b.p. 84/03/01.

ELECTIONS.

by: Yves Chevalier President.

The June General Meeting is coming fast and with it the call for elections. All positions are open for challengers and every member in good standing has the right and duty to offer his services to the better of the society. At the April General Meeting, a Nominating Committee Chairman will be appointed by the Executive to conduct an Election of Officers in accordance with our bylaws. Please make sure to attend the next few meetings to assert your rights.....Yves.

JUST A WORD.

by: The President.

It is amazingly the speed at which tasks accumulate when you are away for a month. It will take me a while to assign priorities and sort them through.

I am sure glad to be back in Alberta. Strange things are happening in Ontario. The Highway Patrol there could put to shame a certain Police Force from WWII. One officer was fired for not bringing in his "quota" of contraventions. Just imagine the poor officer in a law abiding community; he will have to use entrapment to fill his quota. Talk about serving a community!!!The joys of living in a Democratic environment.....Ed.

This year I had the pleasure to attend the National TI-FEST in Ottawa. It was very interesting and I had the opportunity to meet some super TI Minded people. The Eastern part (East of Alberta) was well represented and a few dealers from the USA were also on hand to give it a flair of Authenticity. (Big words for the Orphan).

I must give special thanks to Bob Boone for helping make it such an enjoyable visit. While chatting with Jane Laflamme I learned that our planned visit with the Calgary and Red Deer groups, in Red Deer, was on for Saturday May 14th, and she is planning to attend. I sure hope to meet her again. On the Red Deer meet, anyone with items to swap/sell and is unable to attend please contact Win as to possible arrangements with club members who plan to attend.

The spring BBQ at Gordon Bradlee is on for the month of June as hinted in the March 99'er ONLINE. There might be some small modifications but the general idea remains the same. More details will be given at the April meeting.

While at the National TI-FEST in Ottawa I acquired a light pen, nifty little stick which inter-acts with specially designated areas of the screen to activate selections in a program. I see it as very useful to young ones and anyone who has difficulty using the keyboard. "Some special software needed here!"

Our group fosters the free flow of software within the TI community but also supports the principle that the author of the software is entitled to some form of reward for his labour. It for everyone of us who use it to see that praise (\$) is given where it is due.

COMPUSERVE/NEWSLETTERS.

Jim Horn, Compuserve sysop for the TI section, discussed the need to ensure a larger readership of newsletters. In his opinion this can best be achieved by uploading (FREE) our newsletter files onto Compuserve. When a newsletter is sent to a Club, it is read by the Librarian and sometimes a few other members. In some Clubs some articles are reproduced. On compuserve your newsletter is available to a larger readership who is more interested in the activities of the TI community in general. But that (uploading to Compuserve) is not to replace the mailing of newsletters but to increase the number of readersYves

------(News Letter)-----

CLUB EXECUTIVE APPOINTMENT.

by: Yves Chevalier (President).

It is a pleasure for me to announce the appointment of Executive Treasurer to Dennis Miller. Along with this new position he will continue to handle the printing and mailing of the newsletter, and also keep the membership/mailling list updated, so avoiding confusion by this passing through too many hands.

I would like to take this opportunity to thank Jim Mulligan for all his efforts and the high caliber in which he executed the arduous task of Treasurer with this and the previous Executive. Jim is planning other activities, as time consuming as the position he is vacating.....

Thanks Jim, on behalf of all the Club Members.....

DISK CATALOGUE.

by: Win Appelt.

These are the library's additions for April:

TELCO - an excellent new terminal emulator program. This program has a built-in auto dialer that lets you store 99 entries, with auto-redialing of up to 15 selections.

BEAX - this disk will be real handy for people that don't own an Editor/Assembler module. It is basically the E/A module on disk.

MAX-RLE - is a program for viewing digitized pictures and for preparing pictures to send to other systems. The program supports four different formats - TI-Artist, GRAPHX, Display/Variable 80 and Display/Fixed 128. Program also supports a screen dump.

*N.B. BEAX & MAX-RLE have been around for quite awhile, but were never added to the Club's library. If anybody has any 'old' programs, such as these, that they feel are worthy of spreading around, please bring a copy to the next meeting.

Thanks. Win

!------(News Letter)-----!

EXECUTIVE MEETING.

by: Roxanne Appelt.

Details of the upcoming Red Deer Event were discussed and are as follows:

Our presentations, which will possibly consist of a demo of Yves's home designed, and built modems, and a talk on 'C'.

Other Groups Presentations.

Arranging of car pools.

Discussing details on exact location, admission costs etc.

Disk exchanges with other groups were DISCUSSED, also the regular uploading of our Newsletters to CompuServe.

Gord Bradlee has graciously offered to let us hold our 1st Annual Group Barbeque at his place. Paul will be getting the tickets printed up and the price will be approx. 7.50/person, a bargain at this price, don't forget to get your tickets, this event will be taking place on the 11th of June.

Due to a lack of TI users, the future of the group's BBS was discussed.

It was suggested that the readers of the newsletters please make a note of the better articles, so we can create a 'Best Of' Index to be included in our newsletters.

It was also suggested that we go through our old membership lists to see how many of these people still have their TI's. Possibly we can revive some interest.

!------(News Letter)-----!

NEW MEMBER.

by: Yves Chevalier President.

I would like to extend a warm welcome to Garry Goebel from Cold Lake, AB., to our ranks. Garry has a fully expanded system and an extensive library of disks and modules. Although Garry and his family are planning to move to Ontario in the summer, he has decided to take advantage of what we have to offer. Garry can be reached at 594-6292.....Yves.

TECHNICAL SIG REPORT.

by: Yves.

After a long delay due to my absence from the city, we (Paul, Jim, Ron and Dennis) have met for another highly technical discussion on the fate of our individual 99 consoles. Our first idea of placing multiple modules within the console was discarded for the moment, due to the complexity of the XB module. (the prime reason for the project) would involve designing a board to accommodate its separate components. The idea is not dead but we will concentrate on relocating the XB module for now.

I experienced something that was described to me a long time ago. With the E/A module in use, the console locked up and when I regained (I think) control there was a menu of nine selections on the screen. Mind you only two were labeled (#1 basic and #2 Editor assembler) but imagine if I could duplicate that at will!!! It would make possible the kind of super BRON board we are thinking about.

At the next TS we will put our plans into action with the XB module and any of the small mods (reset, video, AL switch and load interrupt) that we can squeeze-in, in the time we have. That is all for now. If you have any questions on technical subjects please do not hesitate to call me.....Yves.

SUGGESTIONS.

If you use a program regularly, why don't you let me know along with some information (ie..basic module, 32K memory, Dve"N" etc) on how you load this program, it could be just what other members are looking for. I hear lots of members have programs that they cannot use because they cannot figure out how to load them, to pass on this information is an asset to the Club Membership, you may be the one, looking for this self same thingthankyou Ed.

------(ADVERTISEMENTS)-----

nova computerware
 52 AIRPORT ROAD EDMONTON ALBERTA T5G 0W7
 (403) 452-0372



CLEARANCE SALE CONTINUES...10% OFF EVERYTHING!
 CARTRIDGE EXPANDER: LOWEST PRICE EVER! \$24.95
 SELECTED GAMES, EDUC. & ADVENTURES....3/\$49.95
 *NOTE: DURING THE SUMMER MONTHS NOVA WILL NOT
 BE OPEN EVERY DAY. PHONE & MAIL ORDERS WELCOME

 **Texas Instruments
Home Computer**

PROFESSIONAL REPRODUCTION

PROFESSIONAL COPYING & DUCATATING

✓Reports	✓Specifications	✓Price Lists
✓Briefs	✓Proposals	✓Directories
✓Manuals	✓Address Labels	✓Newsletters
✓Flyers	✓Transparencies	✓Resumes

Prices

1 - 1009 / Copy
11 - 2407 / Copy
25 - 4906 / Copy
50 - 9905 / Copy
100 - 24904 / Copy
250 - 499036 / Copy
500 - 999032 / Copy
1000 - 249903 / Copy
2500 - 4999028 / Copy
5000 - Up026 / Copy

PRICES PER ONE ORIGINAL
ALL ORDERS SUBJECT TO FEDERAL SALES TAX

Services

Retail • Office Supplies • Office Furniture • Business Machines • Typewriter Rentals • Machine Repairs • Rubber Stamps	Print Shop • Professional Duplicating • Custom Printing • Laminating • Cerlox Binding • Folding / Cutting • Stapling / Padding
---	---

HOURS: 9:00 a.m. - 5:30 p.m. Monday to Friday - 10:00 a.m. - 4:00 p.m. Saturday

**broadmoor
tationers LTD.** 165 ATHABASCAN AVENUE SHERWOOD PARK, ALBERTA **464-4343**