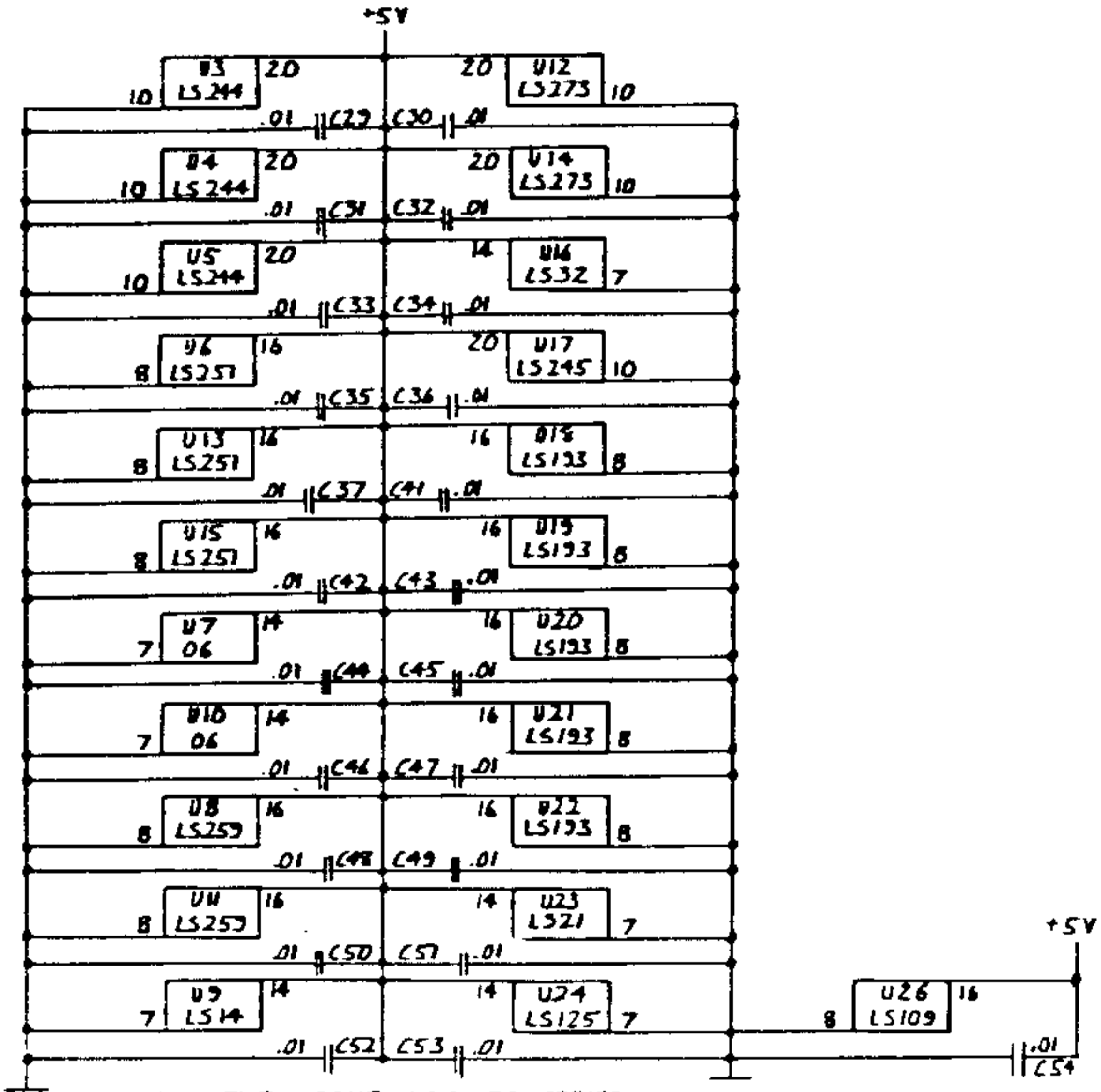
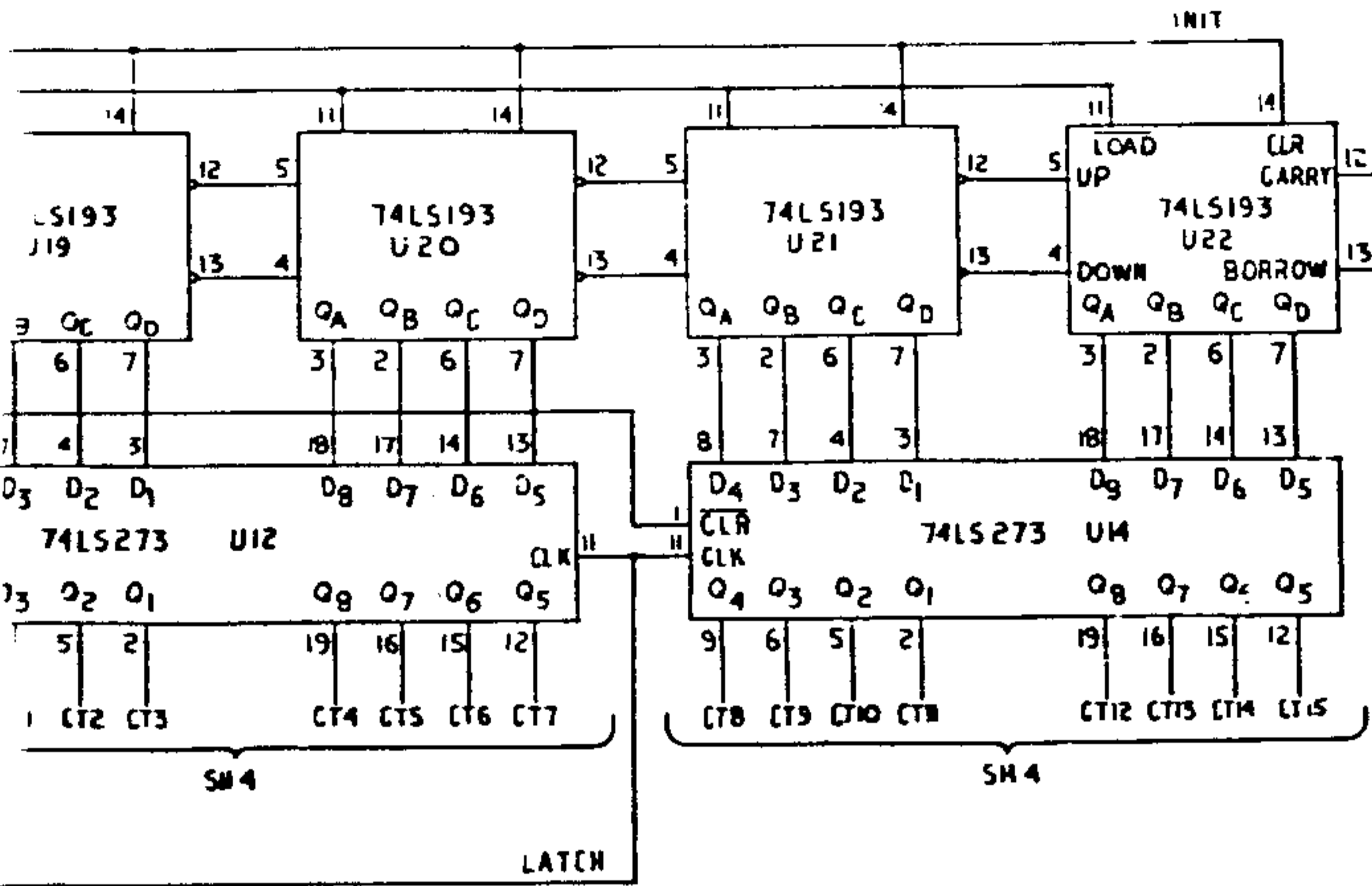


1050238

SCHEMATIC, PCB, VIDEO CONNECTOR RELAY BOX



ALL THE ABOVE ARE 74 SERIES TTL.

DIMENSION IDENT. NUMBER	
USED	NOT USED

8

7

6

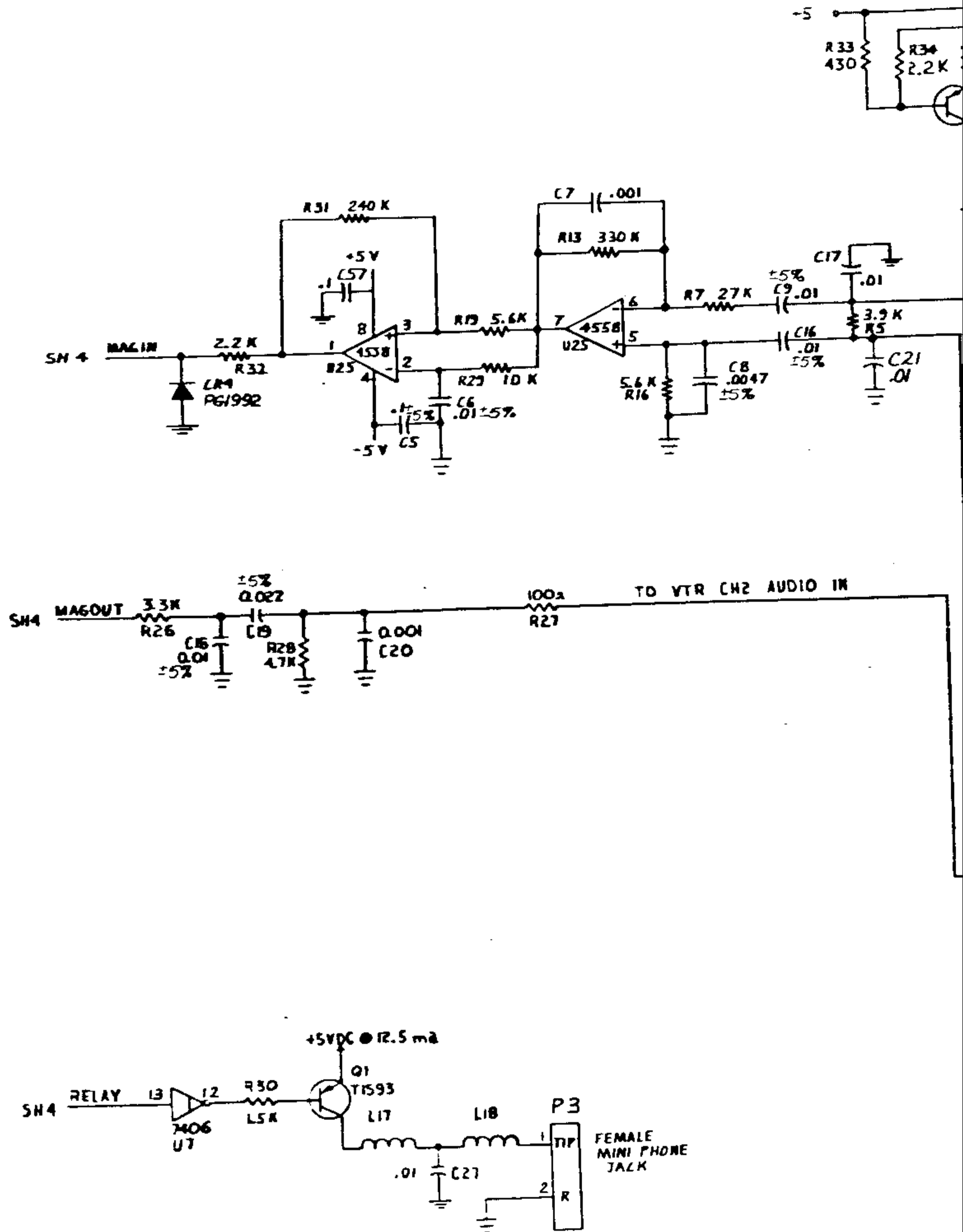
5

D

C

B

A

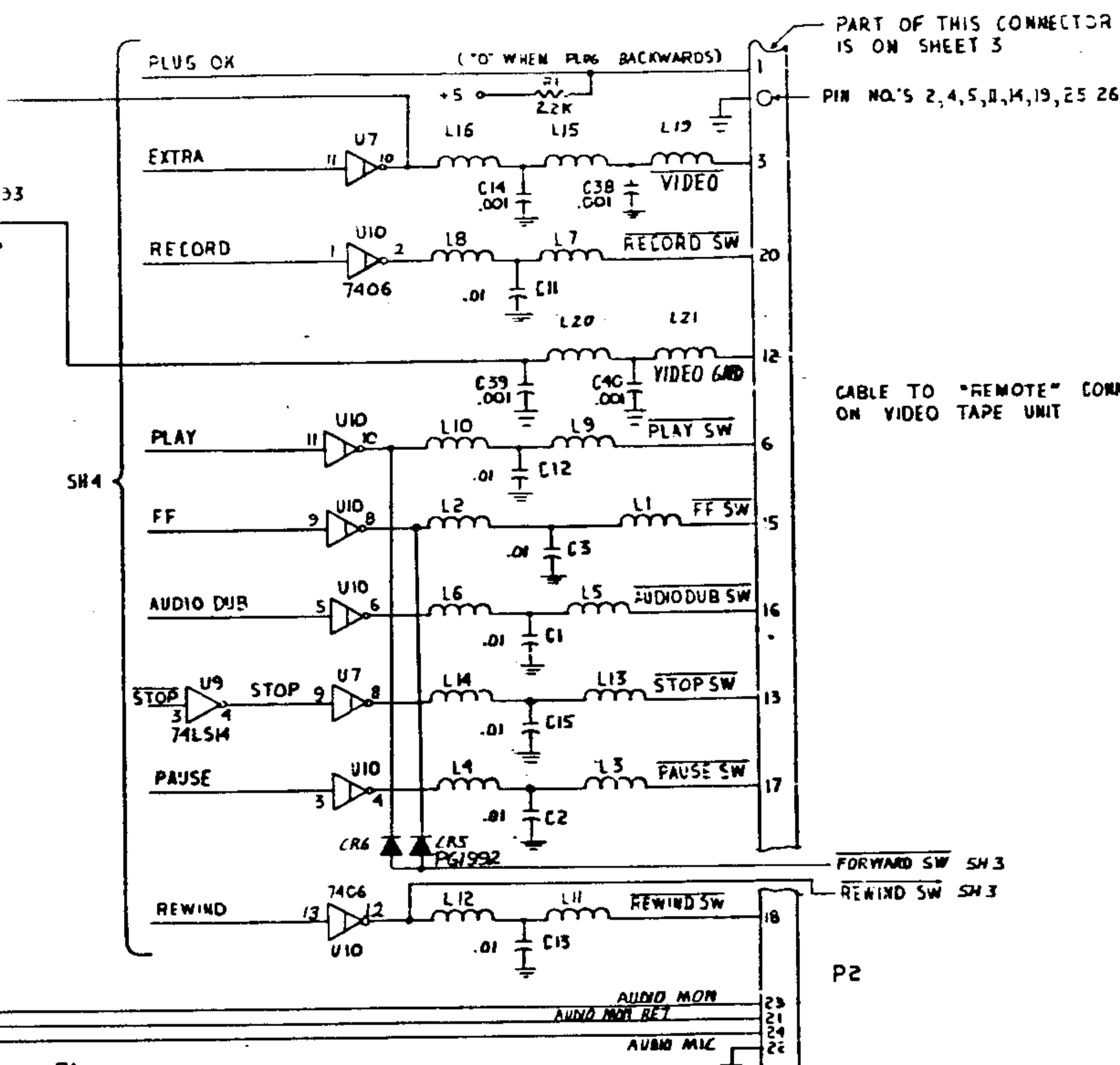


8

7

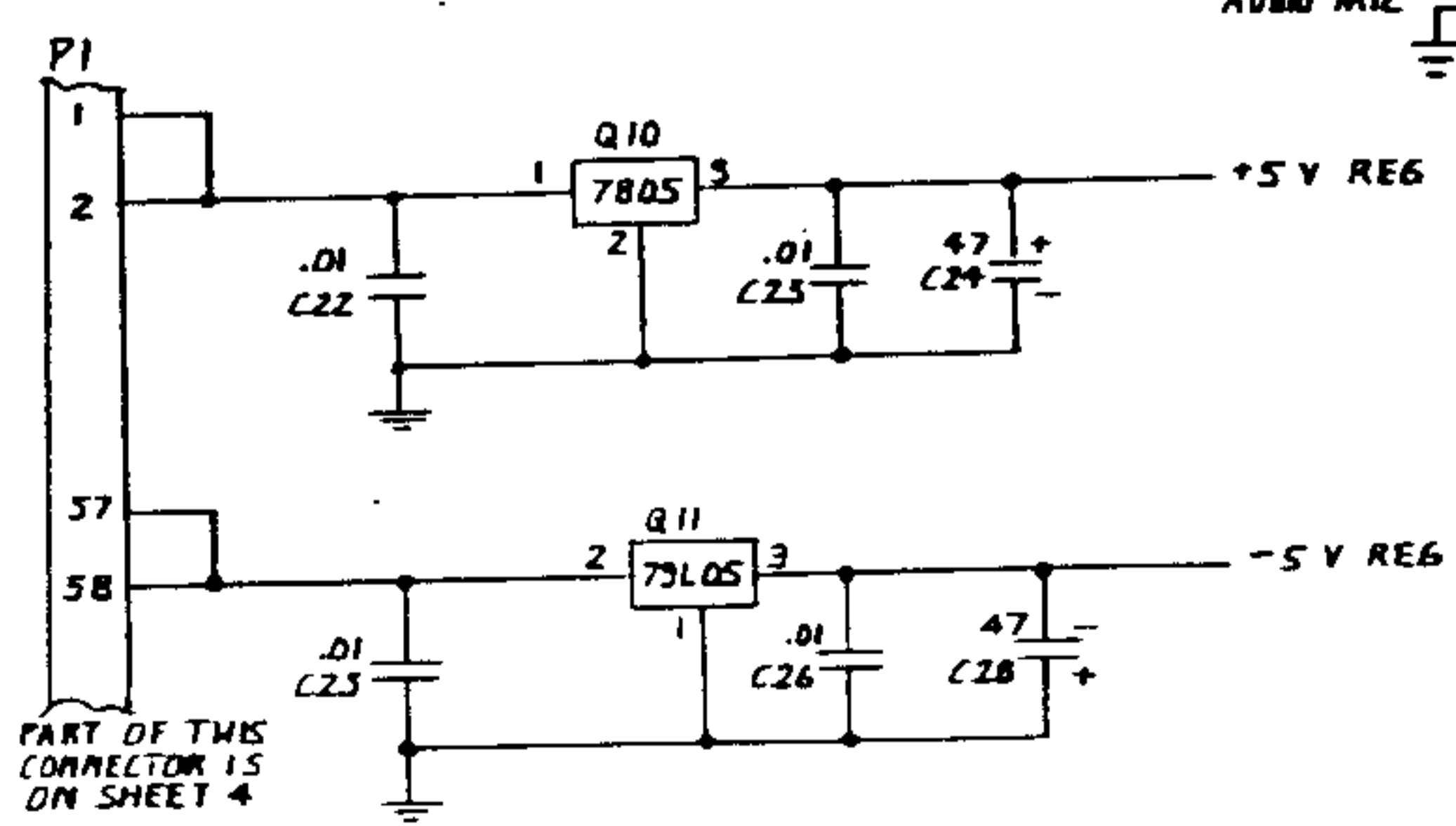
6

5



PART OF THIS CONNECTOR IS ON SHEET 3

CABLE TO "REMOTE" CONNECTOR ON VIDEO TAPE UNIT



DIMENSION IDENT. NUMBER	
USED	NOT USED

NOTES: UNLESS OTHERWISE SPECIFIED:

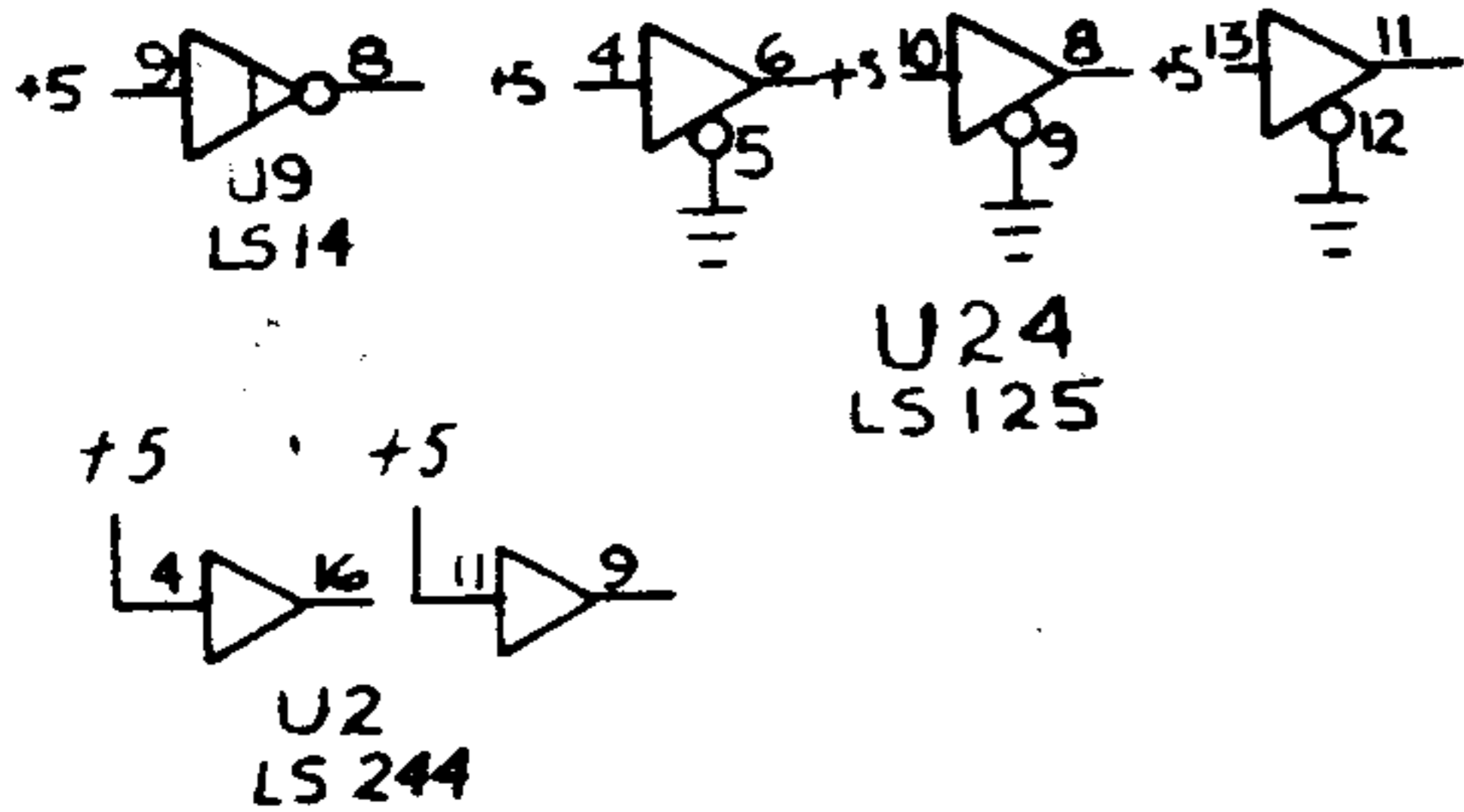
REV		REVISIONS	DATE	AP
		DESCRIPTION		

1. VIDEO CONTROLLER 12L6 PAL/NTSC CODING

PIN#	SIGNAL	PIN#	SIGNAL
1	/V1	11	/CRUCLK B
2	A01. B	12	DBIN. B
3	A10. B	13	/OUT0
4	A11. B	14	/OUT1
5	/V3	15	/IND
6	A03. B	16	/IN1
7	V2	17	/IN2
8	V4	18	/DSR
9	/MEHEN. B	19	VTRPG
10	OND	20	+5V

$OUT0 = V1 \cdot /A01. B + V2 + V3 + V4 \cdot /MEHEN. B + /A10. B + /A11. B + CRUCLK. B$
 $OUT1 = V1 \cdot /A01. B + V2 + V3 + V4 \cdot /MEHEN. B + /A10. B + /A11. B + CRUCLK. B$
 $IND = V1 \cdot /A01. B + V2 + V3 + V4 \cdot /MEHEN. B + /A10. B + /A11. B + CRUCLK. B$
 $IN1 = V1 \cdot /A01. B + V2 + V3 + V4 \cdot /MEHEN. B + /A10. B + /A11. B + CRUCLK. B$
 $IN2 = V1 \cdot /A01. B + V2 + V3 + V4 \cdot /MEHEN. B + /A10. B + /A11. B + CRUCLK. B$
 $DSR = V1 \cdot A01. B + /A03. B + V4 + MEHEN. B + DBIN. B + VTRPG$

2. UNUSED GATES ARE:



3. RESISTANCE VALUES ARE IN OHMS.

4. CAPACITANCE VALUES ARE IN MICROFARADS.

DIMENSION ID
USED

8

7

6

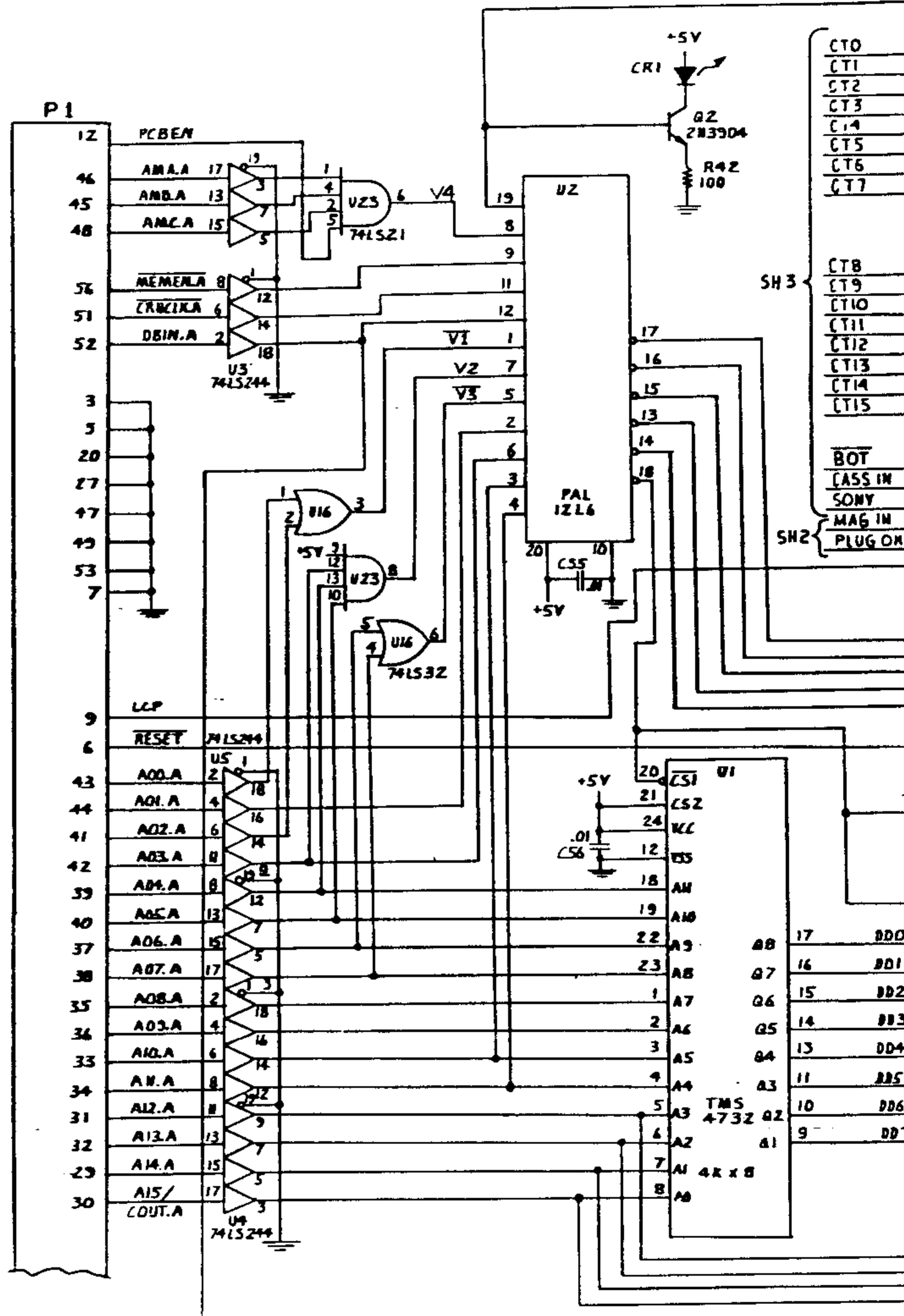
5

D

C

B

A



- CT0
- CT1
- CT2
- CT3
- CT4
- CT5
- CT6
- CT7

- SH3
- CT8
- CT9
- CT10
- CT11
- CT12
- CT13
- CT14
- CT15

- BOT
- CASS IN
- SONY
- MA6 IN
- PLUG ON

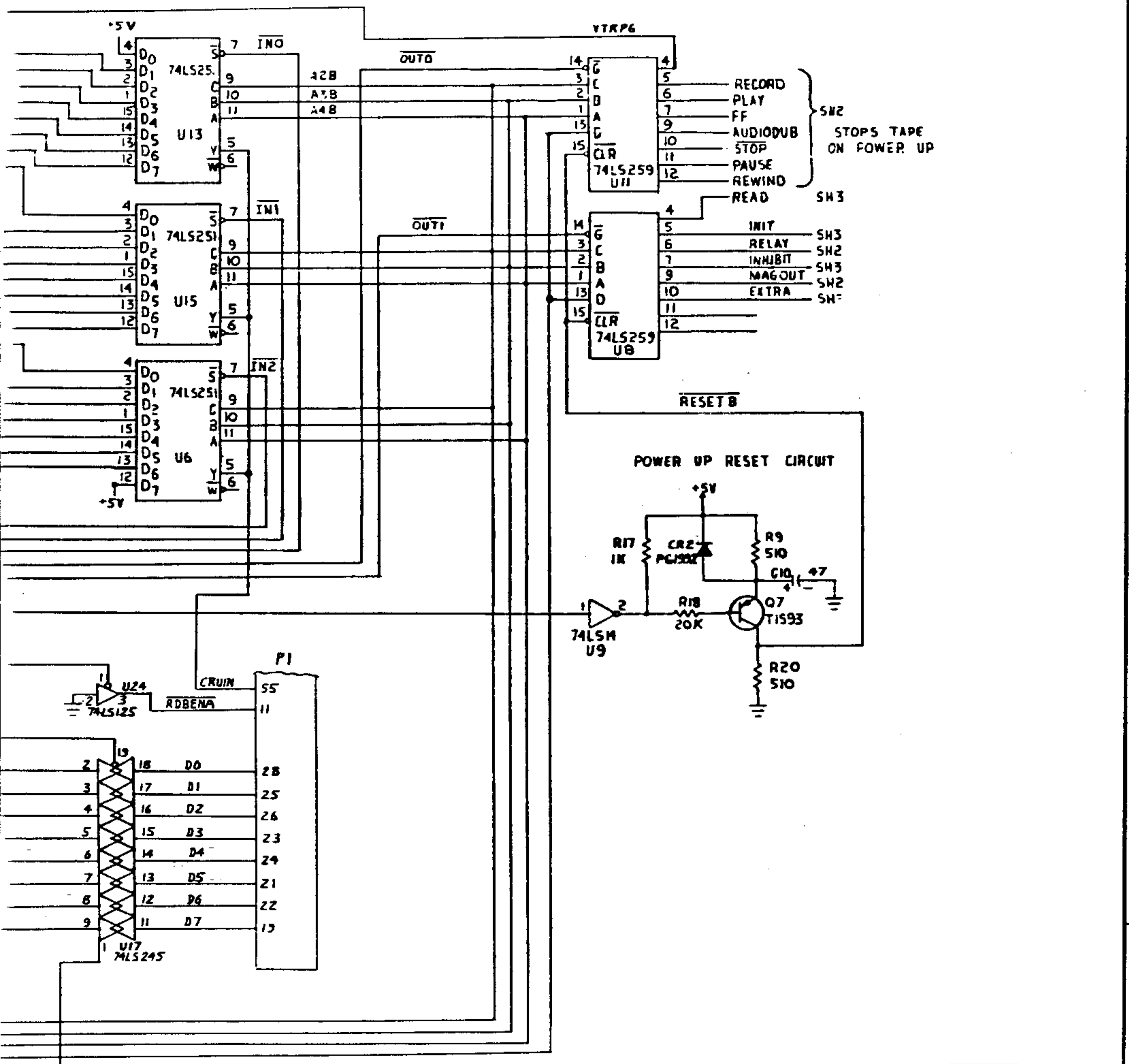
- 17 DD0
- 16 DD1
- 15 DD2
- 14 DD3
- 13 DD4
- 11 DD5
- 10 DD6
- 9 DD7

8

7

6

5



DIMENSION IDENT. NUMBER	
USED	NOT USED