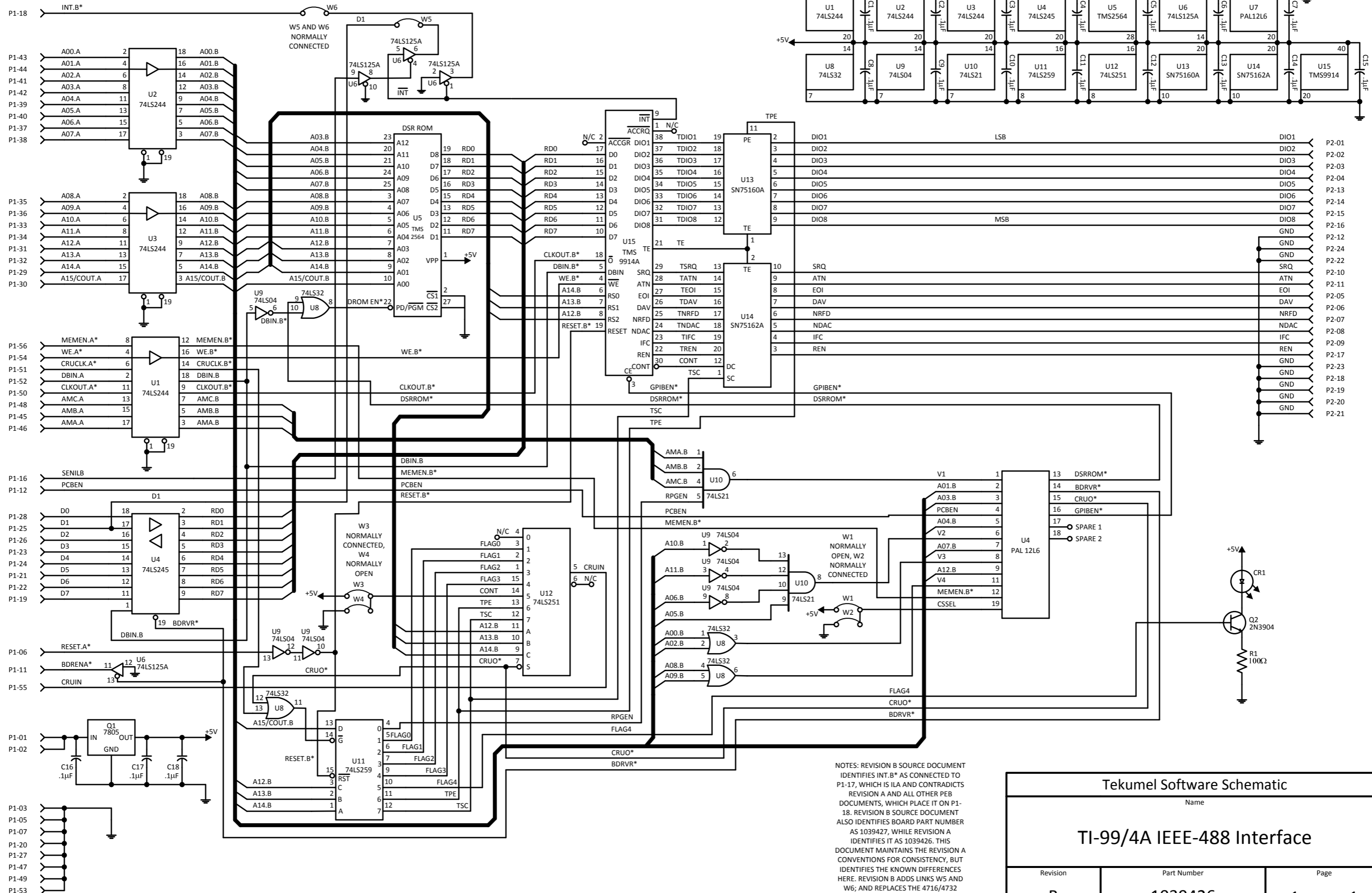


NOTES: UNLESS OTHERWISE SPECIFIED



NOTES: REVISION B SOURCE DOCUMENT IDENTIFIES INT.B* AS CONNECTED TO P1-17, WHICH IS ILA AND CONTRADICTS REVISION A AND ALL OTHER PEB DOCUMENTS, WHICH PLACE IT ON P1-18. REVISION B SOURCE DOCUMENT ALSO IDENTIFIES BOARD PART NUMBER AS 1039427, WHILE REVISION A IDENTIFIES IT AS 1039426. THIS DOCUMENT MAINTAINS THE REVISION A CONVENTIONS FOR CONSISTENCY, BUT IDENTIFIES THE KNOWN DIFFERENCES HERE. REVISION B ADDS LINKS W5 AND W6; AND REPLACES THE 4716/4732 EPROM WITH A TMS2564 EPROM.

| | | |
|-----------------------------|-------------|--------|
| Tekumel Software Schematic | | |
| Name | | |
| TI-99/4A IEEE-488 Interface | | |
| Revision | Part Number | Page |
| B | 1039426 | 1 of 1 |