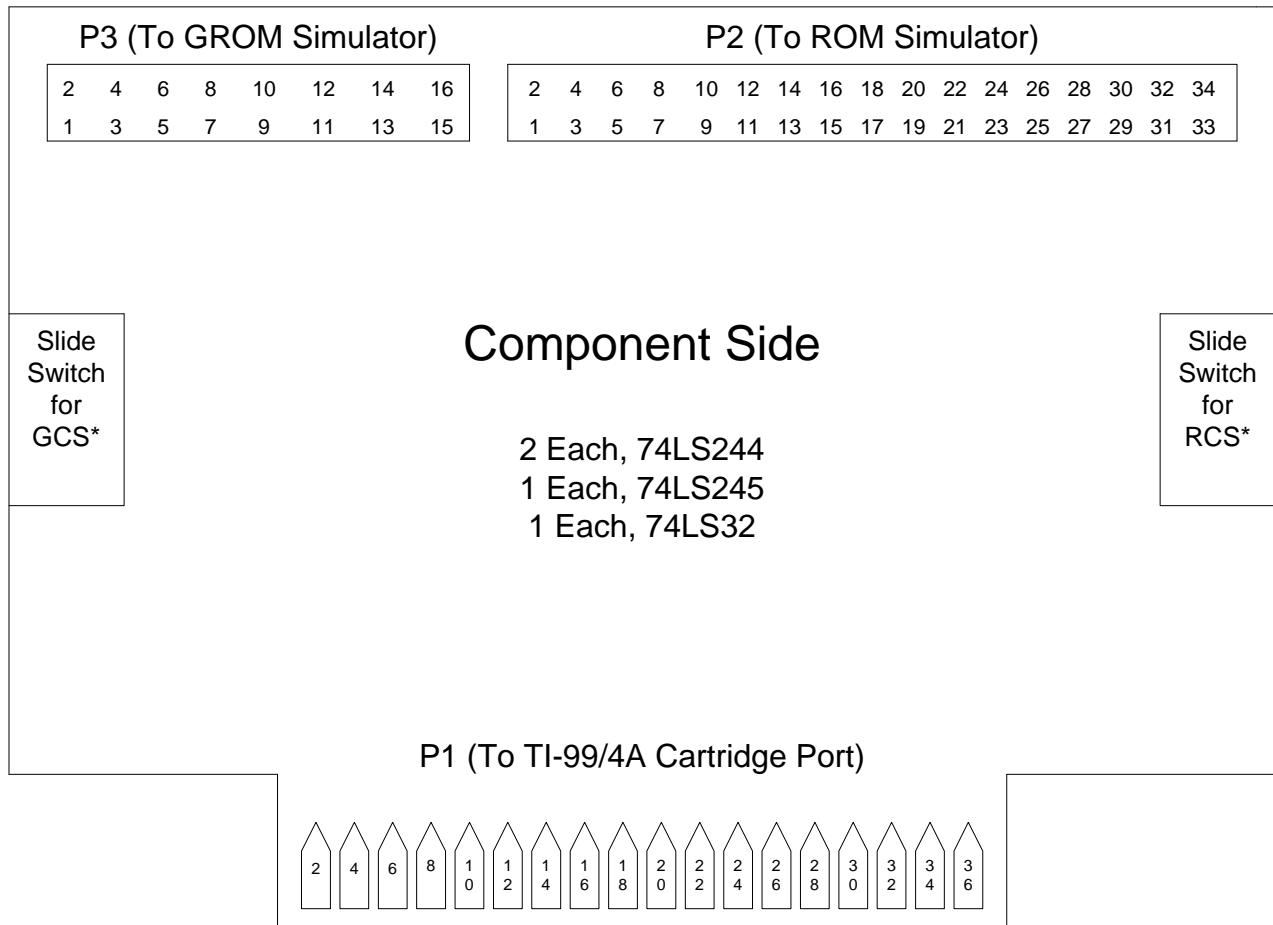


Jerry, this is the correct one.
Jeff

3/23



ROM/GROM Simulator Cable/Connector Definition

P-1

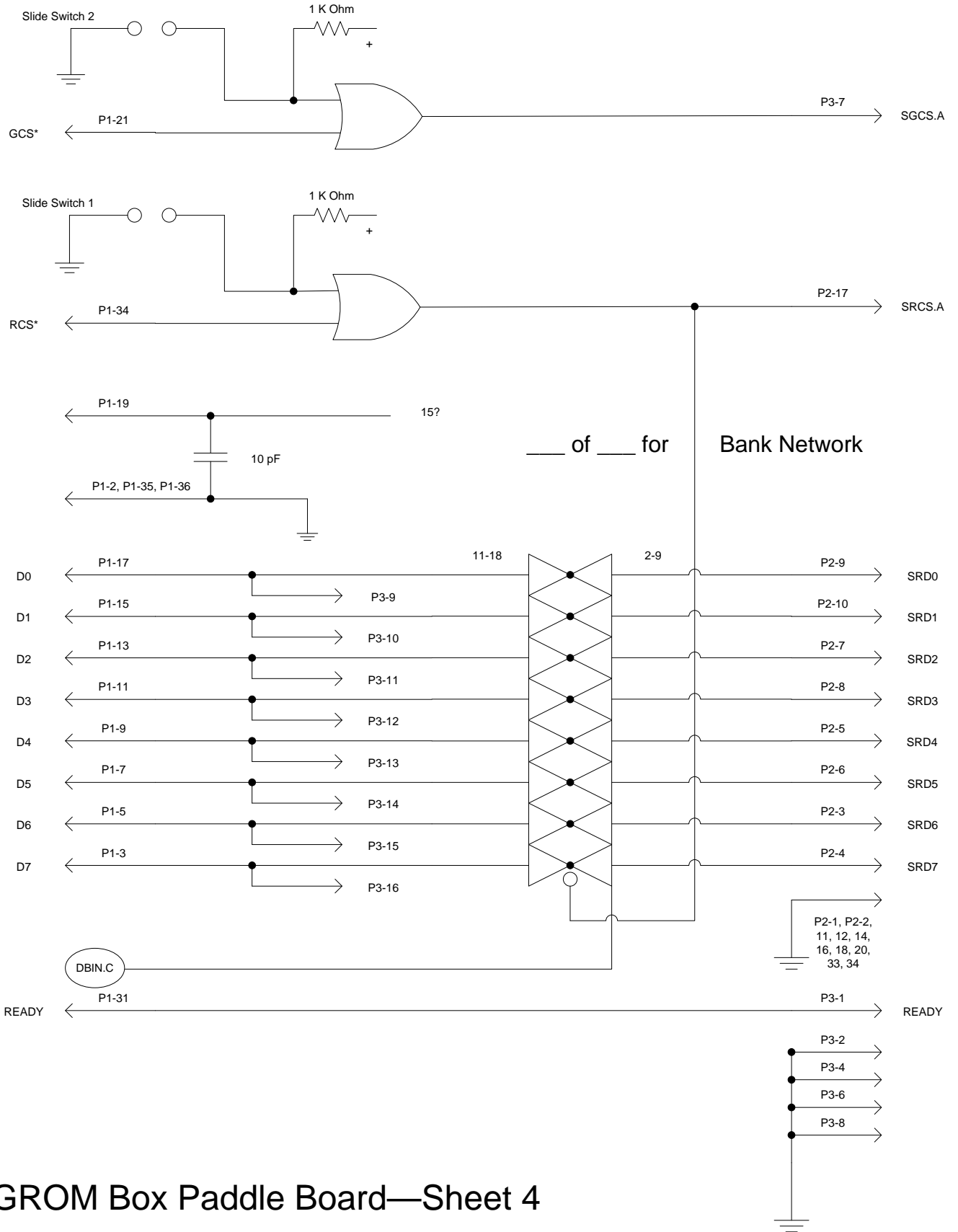
1	RESET (Active High)	13	D2	25	DBIN
2	GND	14	A11	26	A6
3	D7	15	D1	27	GCLK
4	CRUCLK* (From 99/4A)	16	A10	28	A5
5	D6	17	D0	29	VDD (-5VDC)
6	CRUIN (To 99/4A)	18	A9	30	A4
7	D5	19	VCC (+5VDC)	31	READY
8	A15/COUT	20	A8	32	WE*
9	D4	21	GCS*	33	VSS
10	A13	22	A7	34	RCS*
11	D3	23	A14	35	GND
12	A12	24	A3	36	GND

P-2

1	GND	13	WE.A*	25	A10.A
2	GND	14	GND	26	A9.A
3	SRD6	15	DBIN.A	27	A8.A
4	SRD7	16	GND	28	A7.A
5	SRD4	17	SRCS.A	29	A6.A
6	SRD5	18	GND	30	A5.A
7	SRD2	19	A15/COUT	31	A4.A
8	SRD3	20	GND	32	A3.A
9	SRD0	21	A14.A	33	GND
10	SRD1	22	A13.A	34	GND
11	GND	23	A12.A		
12	GND	24	A11.A		

P-3

1	READY	9	D0
2	GND	10	D1
3	DBIN.C	11	D2
4	GND	12	D3
5	A14	13	D4
6	GND	14	D5
7	SGCS.A	15	D6
8	GND	16	D7



GROM Box Paddle Board—Sheet 4