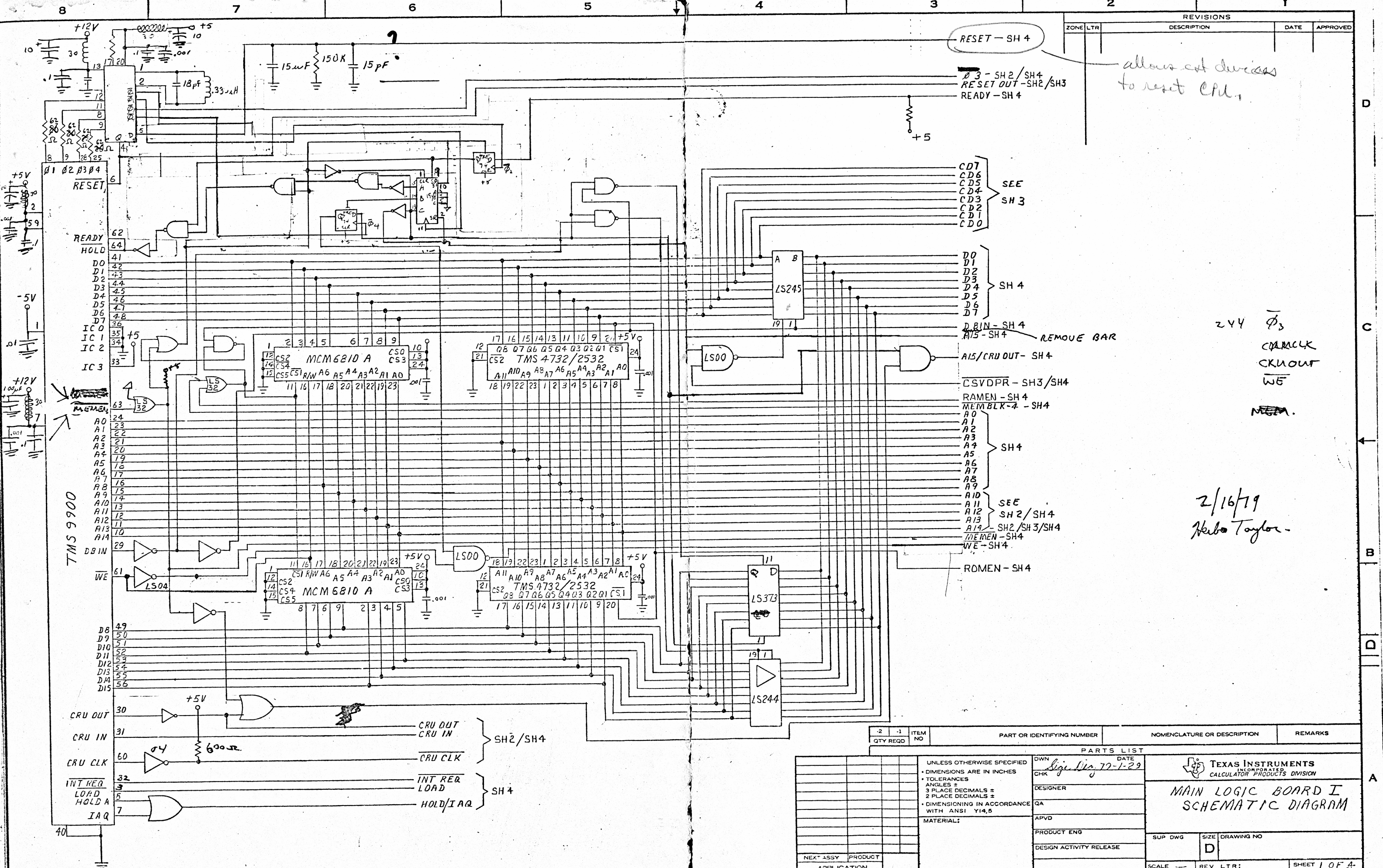


REVISIONS				
ZONE	LTR	DESCRIPTION	DATE	APPROVED



244  $\bar{\phi}_3$   
 CLK  
 CKOUT  
 WE  
 MEMA.

2/16/79  
 Herb Taylor

QTY REQD	ITEM NO	PART OR IDENTIFYING NUMBER	NOMENCLATURE OR DESCRIPTION	REMARKS

PARTS LIST		DATE
UNLESS OTHERWISE SPECIFIED	DWN	79-1-29
• DIMENSIONS ARE IN INCHES	CHK	
• TOLERANCES		
ANGLES ±		
3 PLACE DECIMALS ±		
2 PLACE DECIMALS ±		
• DIMENSIONING IN ACCORDANCE WITH ANSI Y14.5		
MATERIAL:		

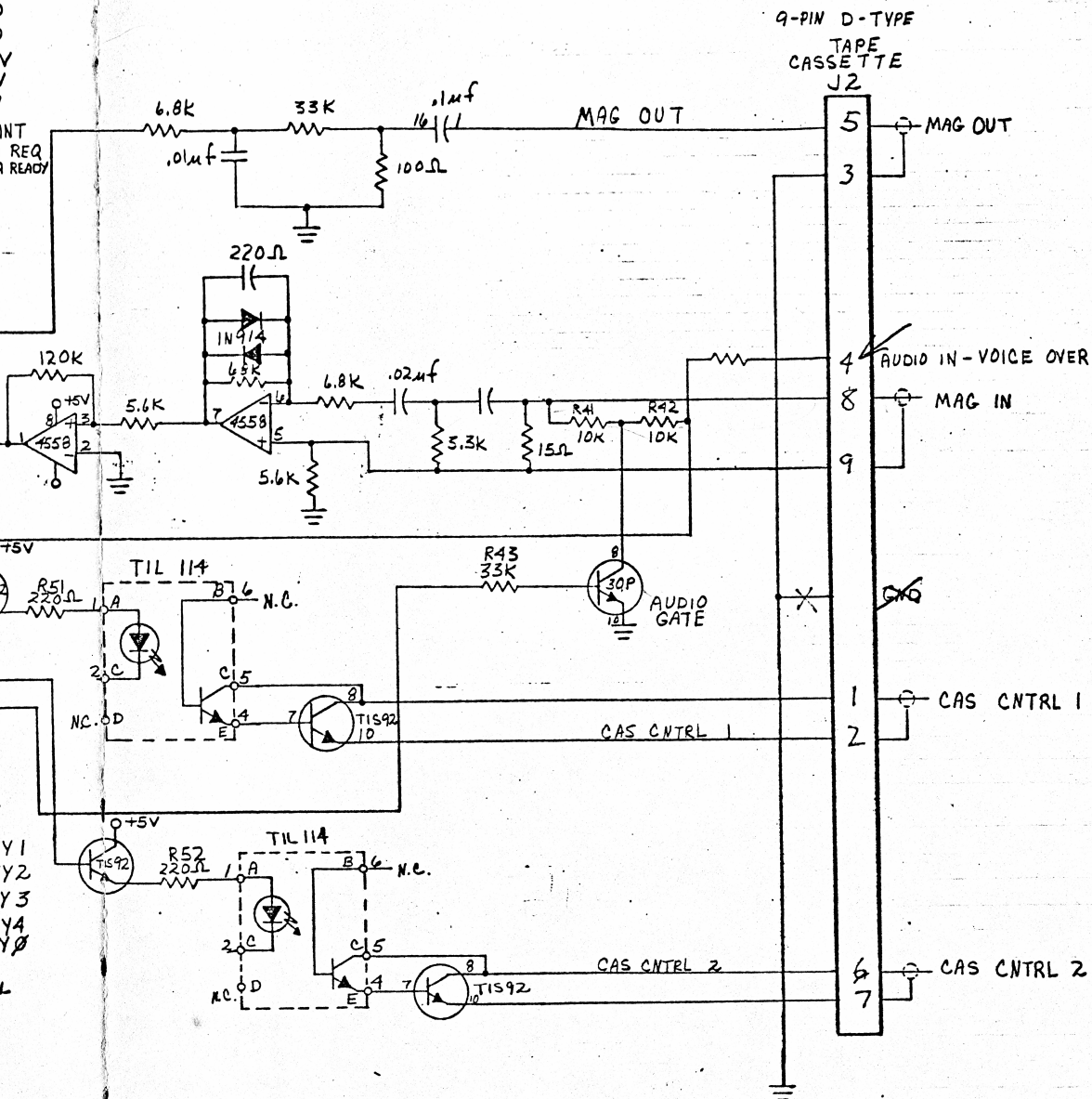
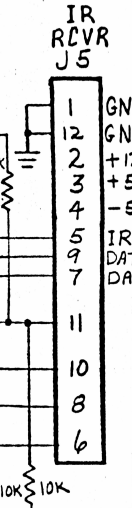
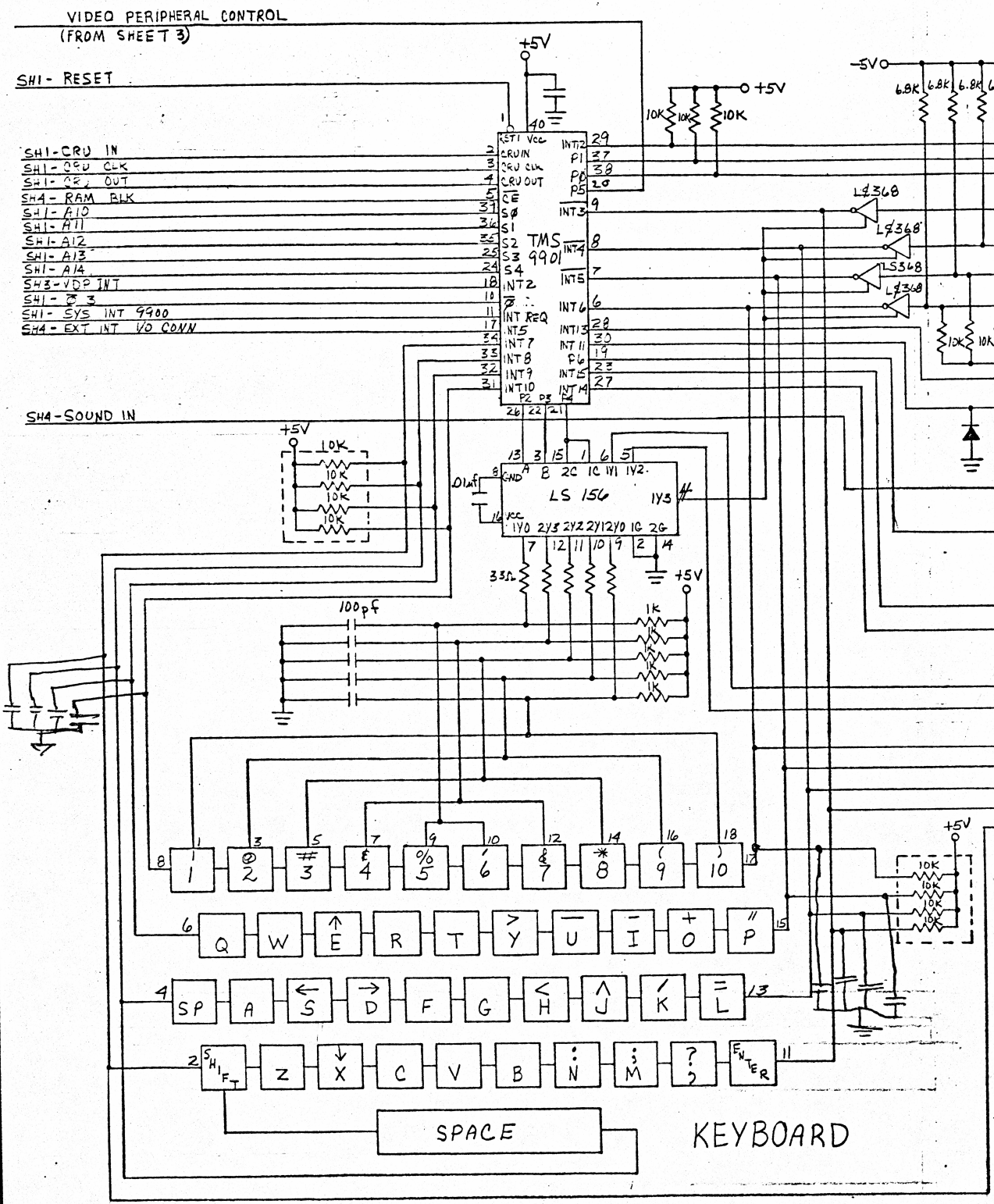
DESIGNER	
QA	
APVD	
PRODUCT ENG	
DESIGN ACTIVITY RELEASE	

SUP DWG		SIZE	DRAWING NO
		D	
SCALE		REV LTR:	SHEET 1 OF 4

CLASS CODE:

REVISIONS				
ZONE	LTR	DESCRIPTION	DATE	APPROVED

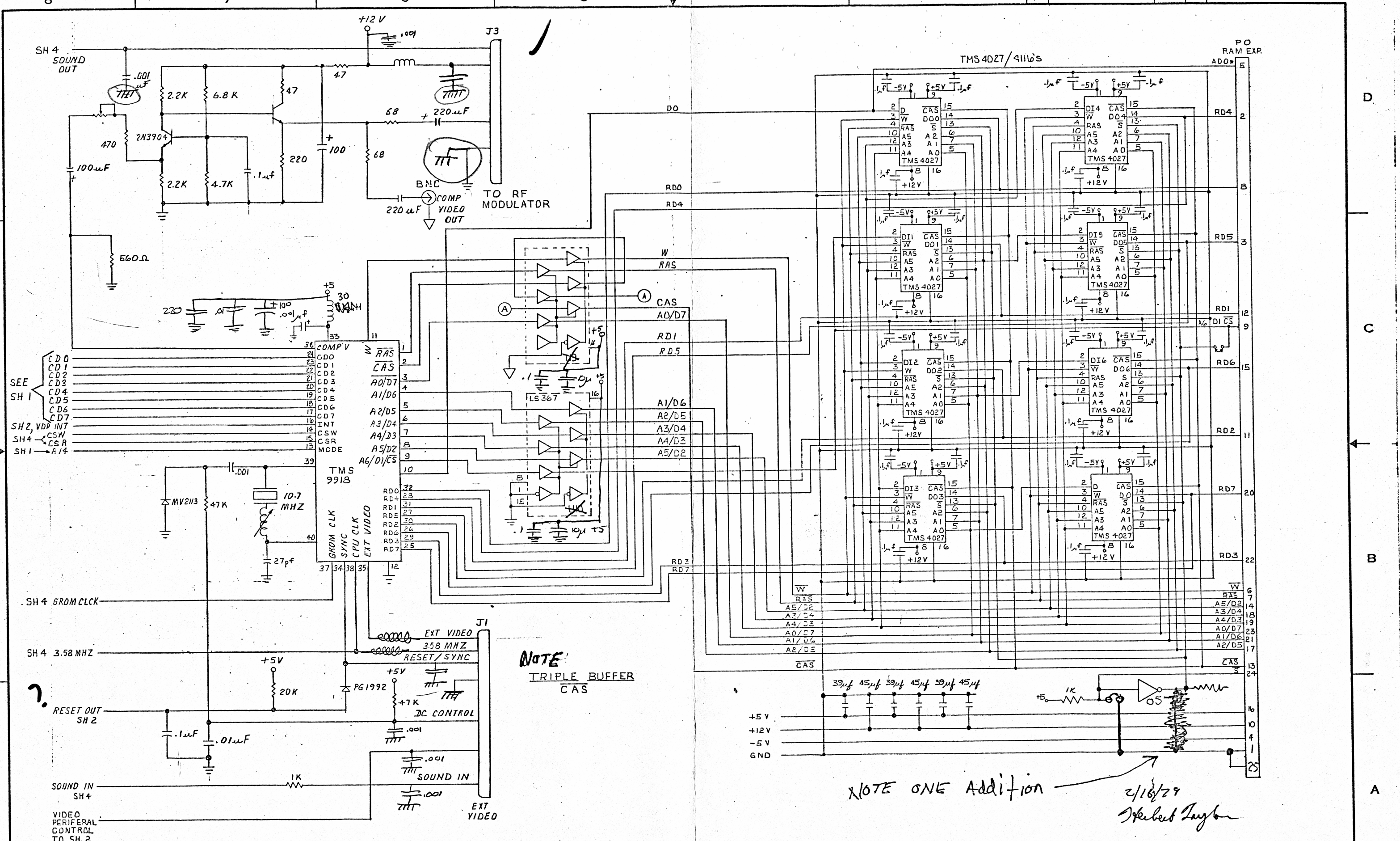


2/16/79  
Paul Taylor

QTY	REQD	ITEM NO	PART OR IDENTIFYING NUMBER	NOMENCLATURE OR DESCRIPTION	REMARKS
156					
500					

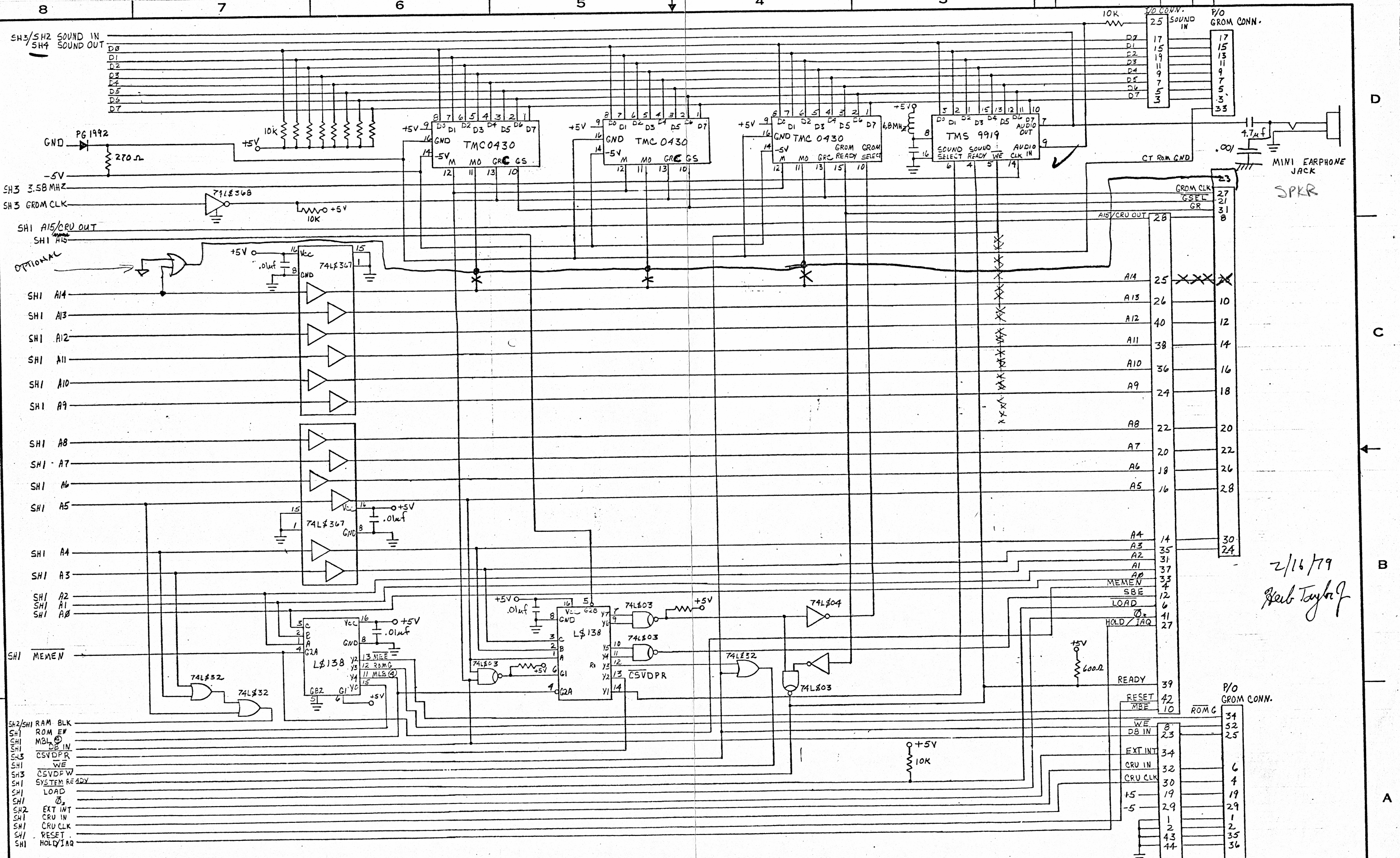
  

UNLESS OTHERWISE SPECIFIED • DIMENSIONS ARE IN INCHES • TOLERANCES ARE ANGLES = 3 PLACE DECIMALS ± 2 PLACE DECIMALS ± • DIMENSIONING IN ACCORDANCE WITH ANSI Y14.5 MATERIAL:	DWN CHK DESIGNER QA APVD PRODUCT ENG DESIGN ACTIVITY RELEASE	DATE 1/21/79	<p>TEXAS INSTRUMENTS INCORPORATED CALCULATOR PRODUCTS DIVISION</p> <p>ELECTRONIC SCHEMATIC DIAGRAM MAIN LOGIC BOARD PRODUCT 156</p>
NEXT ASSY APPLICATION	SCALE	REV LTR: D	SHEET 2 OF 4



**NOTE:**  
TRIPLE BUFFER  
CAS

*NOTE ONE Addition*  
2/16/79  
Herbert Taylor



2/16/79  
 Herb Taylor

- SH2/SH1 RAM BLK
- SH1 ROM EN
- SH1 MBI
- SH1 DB IN
- SH1 CSVDPR
- SH1 WE
- SH3 CSVDPW
- SH1 SYSTEM READY
- SH1 LOAD
- SH1
- SH2 EXT INT
- SH1 CRU IN
- SH1 CRU CLK
- SH1 RESET
- SH1 HOLD/TAQ