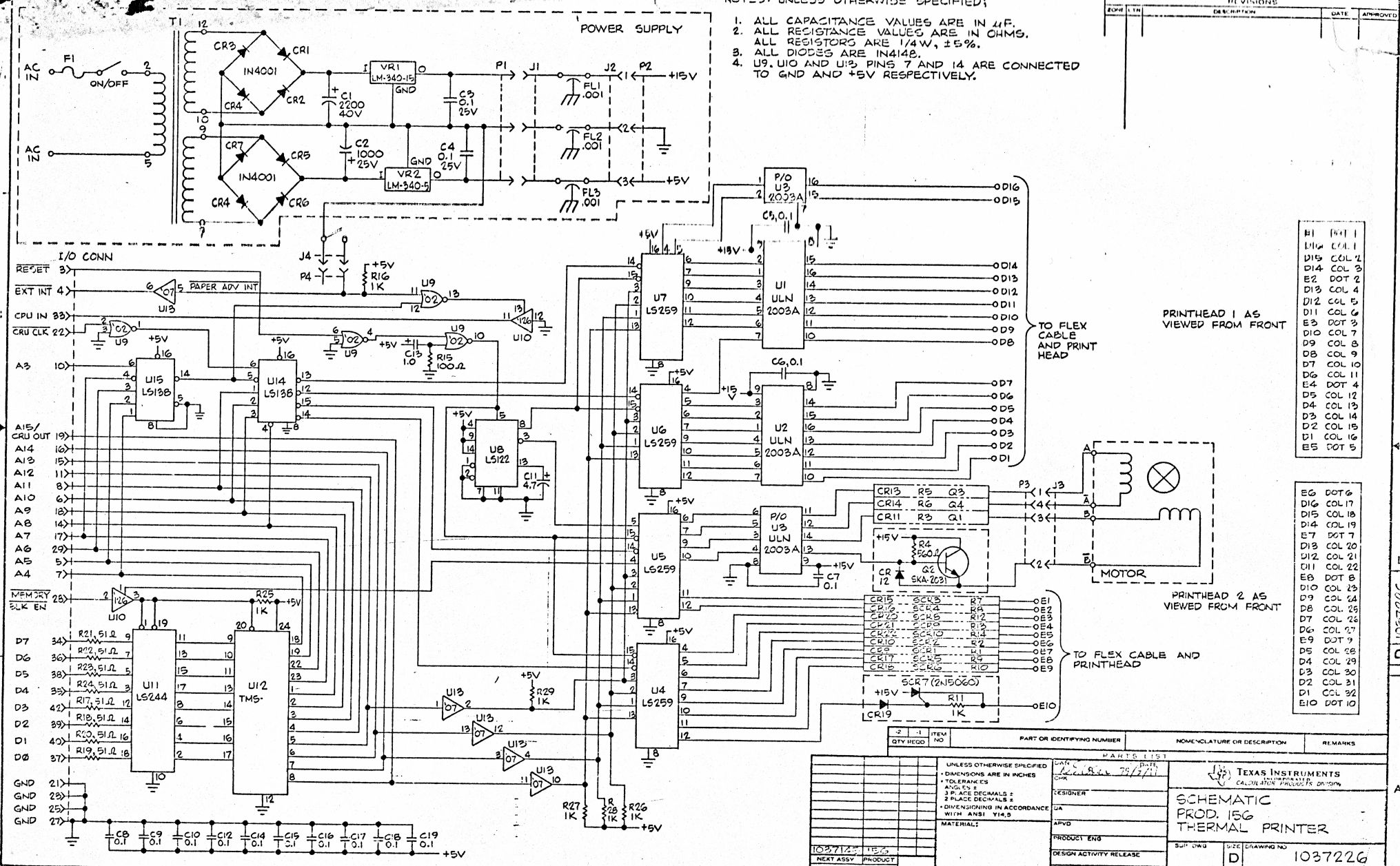


NOTES: UNLESS OTHERWISE SPECIFIED;

1. ALL CAPACITANCE VALUES ARE IN μ F.
2. ALL RESISTANCE VALUES ARE IN OHMS.
3. ALL DIODES ARE IN4148.
4. U9, U10 AND U13 PINS 7 AND 14 ARE CONNECTED TO GND AND +5V RESPECTIVELY.



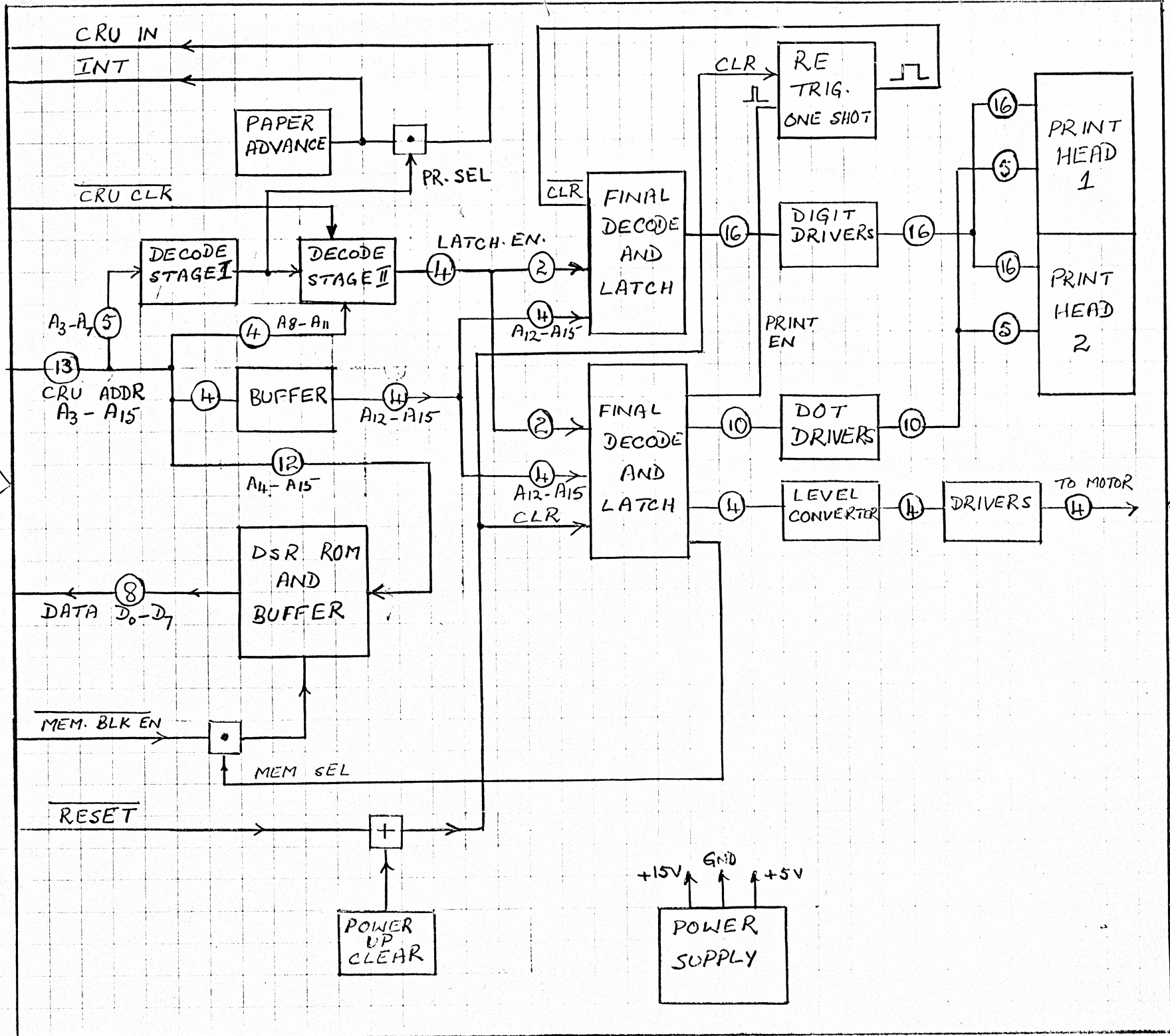


FIGURE 2-1 BLOCK DIAGRAM - THERMAL PRINTER