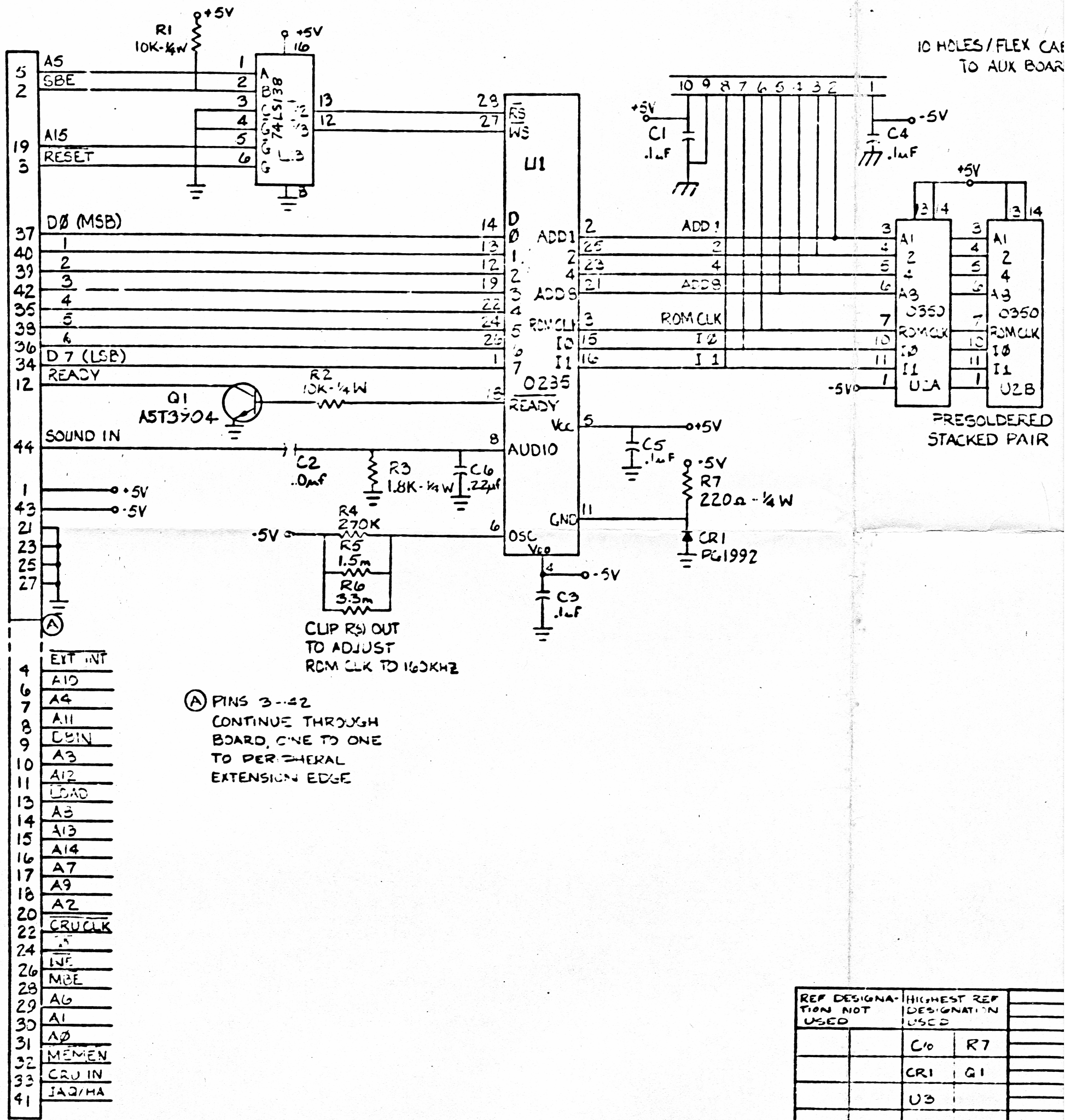


NOTES: UNLESS OTHERWISE SPECIFIED
1. 0350 I.C. PINS NOT SHOWN ARE N.C.



NEXT PAGE
APP1

