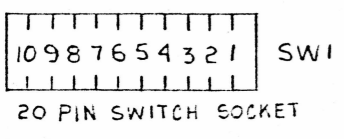
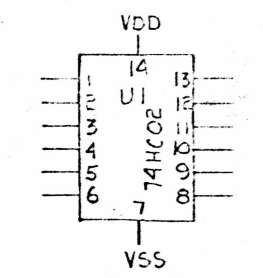


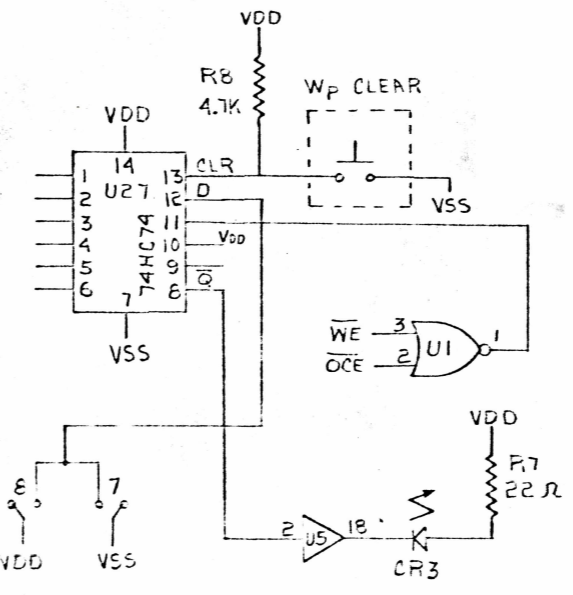
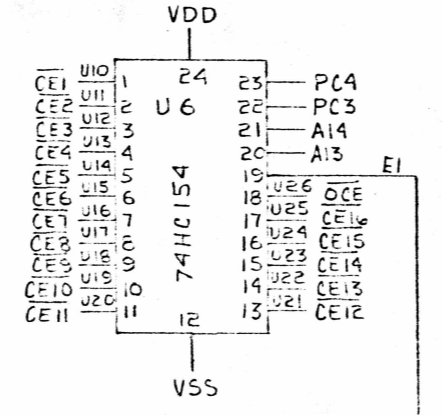
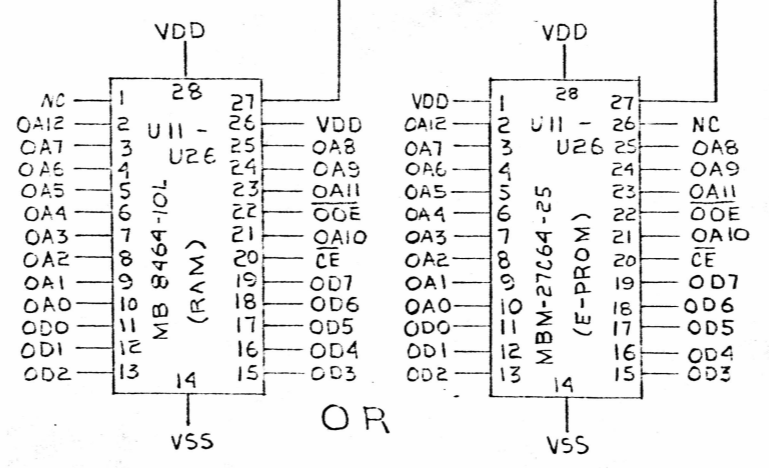
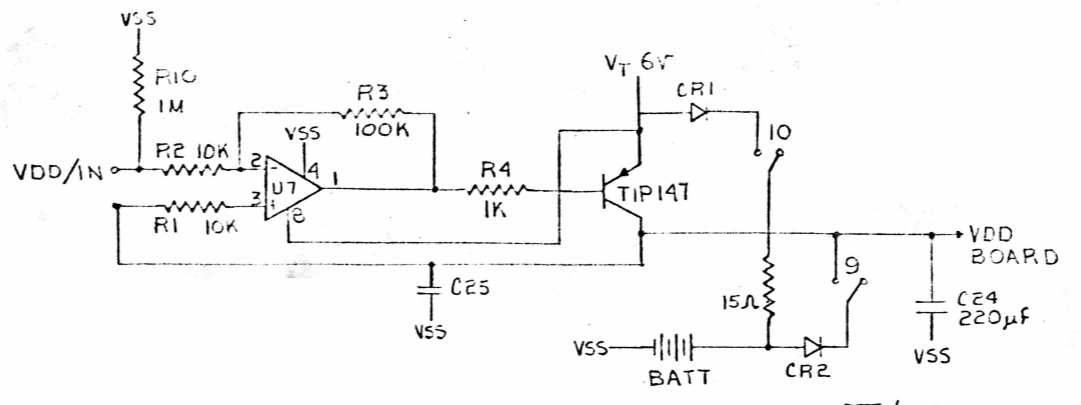
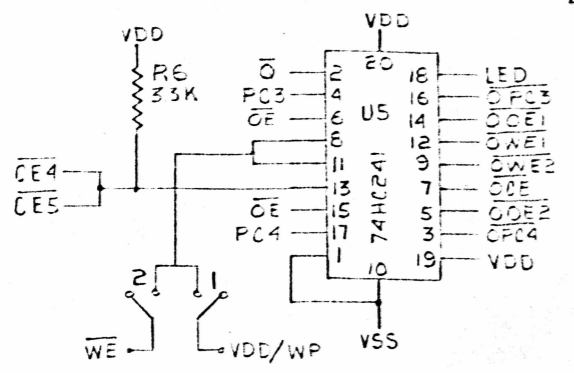
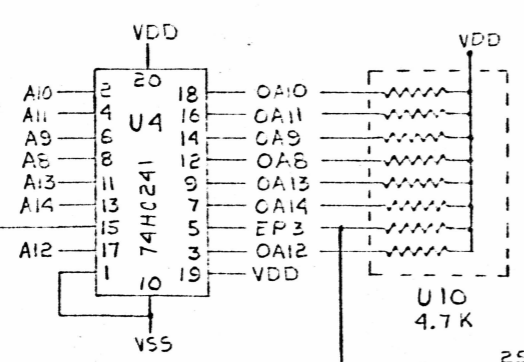
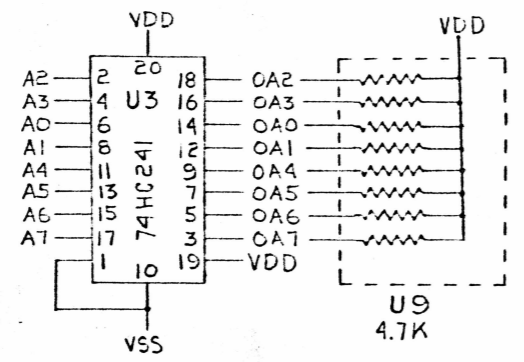
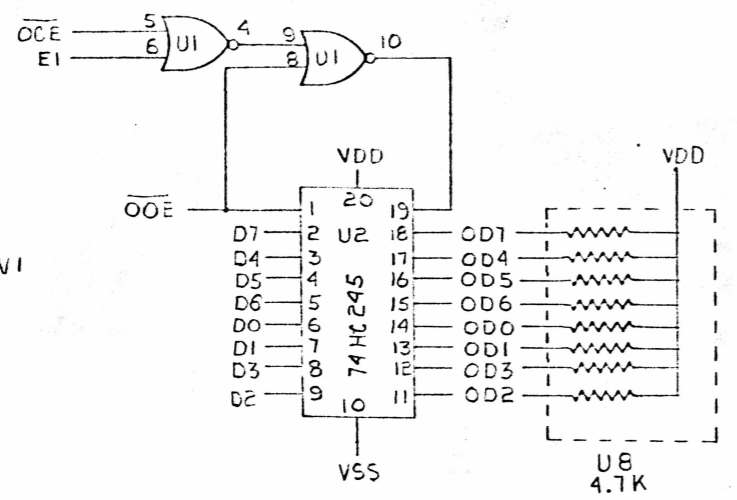
NOTES: UNLESS OTHERWISE SPECIFIED:

REV. 1055625				REVISIONS			
REV	DESCRIPTION	DATE	APVD	REV	DESCRIPTION	DATE	APVD
					FORMAL RELEASE		



PI

1	VSS
2	VDD (RAM)
3	PC3
4	A9
5	A11
6	OE
7	RESET
8	INT3
9	CLK/OUT
10	R/W
11	ENABLE
12	A14
13	ALATCH
14	D3
15	A1
16	A3
17	PC4
18	A12
19	A7
20	VDD/IN
21	CE5
22	A6
23	A5
24	A4
25	A2
26	A0
27	VSS
28	D2
29	D1
30	D0
31	D6
32	D5
33	D4
34	D7
35	CE4
36	A10
37	A8
38	A15
39	WE
40	A13



ITEM NO	PART NUMBER	DESCRIPTION	MATERIAL	REMARKS
		UNLESS OTHERWISE SPECIFIED		
		• DIMENSIONS ARE IN MILLIMETERS		
		• TOLERANCES ARE AS FOLLOWS:		
		2 PLACE DECIMALS ± .15		
		1 PLACE DECIMALS ± .1		
		• DIMENSIONS IN PARENTHESES ARE VENDOR'S		
	477			
		APPLICATION		

PARTS LIST		DATE	REVISIONS
U1	74HC02	6-29-82	
U2	74HC245	7-5-82	
U3	74HC241	7-5-82	
U4	74HC241	7-5-82	
U5	74HC241	7-5-82	
U6	74HC154	7-5-82	
U7	74HC02	7-5-82	
U8	4.7K	7-5-82	
U9	4.7K	7-5-82	
U10	4.7K	7-5-82	
U11	74HC245	7-5-82	
U12	74HC245	7-5-82	
U13	74HC241	7-5-82	
U14	74HC241	7-5-82	
U15	74HC241	7-5-82	
U16	74HC241	7-5-82	
U17	74HC241	7-5-82	
U18	74HC241	7-5-82	
U19	74HC241	7-5-82	
U20	74HC241	7-5-82	
U21	74HC241	7-5-82	
U22	74HC241	7-5-82	
U23	74HC241	7-5-82	
U24	74HC241	7-5-82	
U25	74HC241	7-5-82	
U26	74HC245	7-5-82	
U27	74HC74	7-5-82	
U28	74HC02	7-5-82	
U29	74HC02	7-5-82	
U30	74HC02	7-5-82	
U31	74HC02	7-5-82	
U32	74HC02	7-5-82	
U33	74HC02	7-5-82	
U34	74HC02	7-5-82	
U35	74HC02	7-5-82	
U36	74HC02	7-5-82	
U37	74HC02	7-5-82	
U38	74HC02	7-5-82	
U39	74HC02	7-5-82	
U40	74HC02	7-5-82	
U41	74HC02	7-5-82	
U42	74HC02	7-5-82	
U43	74HC02	7-5-82	
U44	74HC02	7-5-82	
U45	74HC02	7-5-82	
U46	74HC02	7-5-82	
U47	74HC02	7-5-82	
U48	74HC02	7-5-82	
U49	74HC02	7-5-82	
U50	74HC02	7-5-82	
U51	74HC02	7-5-82	
U52	74HC02	7-5-82	
U53	74HC02	7-5-82	
U54	74HC02	7-5-82	
U55	74HC02	7-5-82	
U56	74HC02	7-5-82	
U57	74HC02	7-5-82	
U58	74HC02	7-5-82	
U59	74HC02	7-5-82	
U60	74HC02	7-5-82	
U61	74HC02	7-5-82	
U62	74HC02	7-5-82	
U63	74HC02	7-5-82	
U64	74HC02	7-5-82	
U65	74HC02	7-5-82	
U66	74HC02	7-5-82	
U67	74HC02	7-5-82	
U68	74HC02	7-5-82	
U69	74HC02	7-5-82	
U70	74HC02	7-5-82	
U71	74HC02	7-5-82	
U72	74HC02	7-5-82	
U73	74HC02	7-5-82	
U74	74HC02	7-5-82	
U75	74HC02	7-5-82	
U76	74HC02	7-5-82	
U77	74HC02	7-5-82	
U78	74HC02	7-5-82	
U79	74HC02	7-5-82	
U80	74HC02	7-5-82	
U81	74HC02	7-5-82	
U82	74HC02	7-5-82	
U83	74HC02	7-5-82	
U84	74HC02	7-5-82	
U85	74HC02	7-5-82	
U86	74HC02	7-5-82	
U87	74HC02	7-5-82	
U88	74HC02	7-5-82	
U89	74HC02	7-5-82	
U90	74HC02	7-5-82	
U91	74HC02	7-5-82	
U92	74HC02	7-5-82	
U93	74HC02	7-5-82	
U94	74HC02	7-5-82	
U95	74HC02	7-5-82	
U96	74HC02	7-5-82	
U97	74HC02	7-5-82	
U98	74HC02	7-5-82	
U99	74HC02	7-5-82	
U100	74HC02	7-5-82	

TEXAS INSTRUMENTS
 SCHEMATIC EPROM BOARD
 1055625