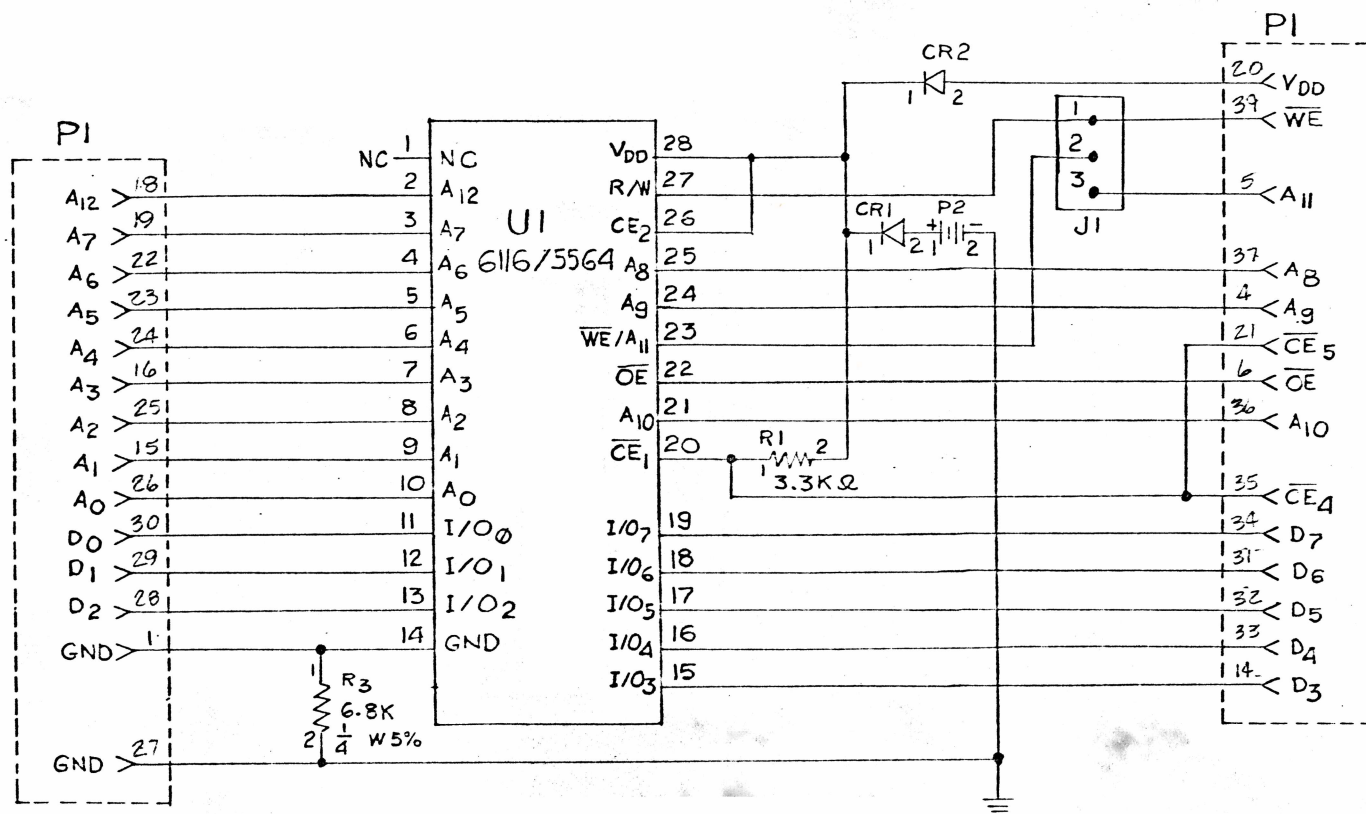


NOTES: UNLESS OTHERWISE SPECIFIED:

FOR 2Kx8 RAM: CONNECT J1-1 TO J1-2.
FOR 8Kx8 RAM: CONNECT J1-2 TO J1-3.

REVISIONS				REVISIONS			
REV	DESCRIPTION	DATE	APVD	REV	DESCRIPTION	DATE	APVD
FORMAL RELEASE							
A	ECN SHEET 8 Kram Flawed, 1-27-83 CHANGE PIN #'S AS PER MARKED UP SHEET	1-27-83					
B	ECN 106249 Kram Flawed, 3/28/83 CHANGE NOTES	3-28-83					



2KX8/8KX8 RAM W/BATTERY

ITEM NO	PART NUMBER	DESCRIPTION	MATERIAL	REMARKS
		UNLESS OTHERWISE SPECIFIED		
		• DIMENSIONS ARE IN MILLIMETERS		
		• TOLERANCES ANGLES ± 1°		
		2 PLACE DECIMALS ± MM		
		1 PLACE DECIMALS ± MM		
		• DIMENSIONING IN ACCORDANCE WITH ANSI Y14.5		
DIMENSION IDENT. NUMBER		PARTS LIST		
USED	NOT USED	DWG: 1044519 DATE: 1-11-82 DESIGNED: Chris Davis CHECKED: [Signature] DATE: 1-11-82 DES. ENG. [Signature] DATE: 1-11-82 QA [Signature] DATE: 1-11-82 PROC. ENG. [Signature] DATE: 1-11-82 PL. [Signature] DATE: 1-11-82		
		TEXAS INSTRUMENTS INCORPORATED Consumer Products Group Lubbock, Texas ALC MODULE D 1044519 SHEET 1 OF 1		