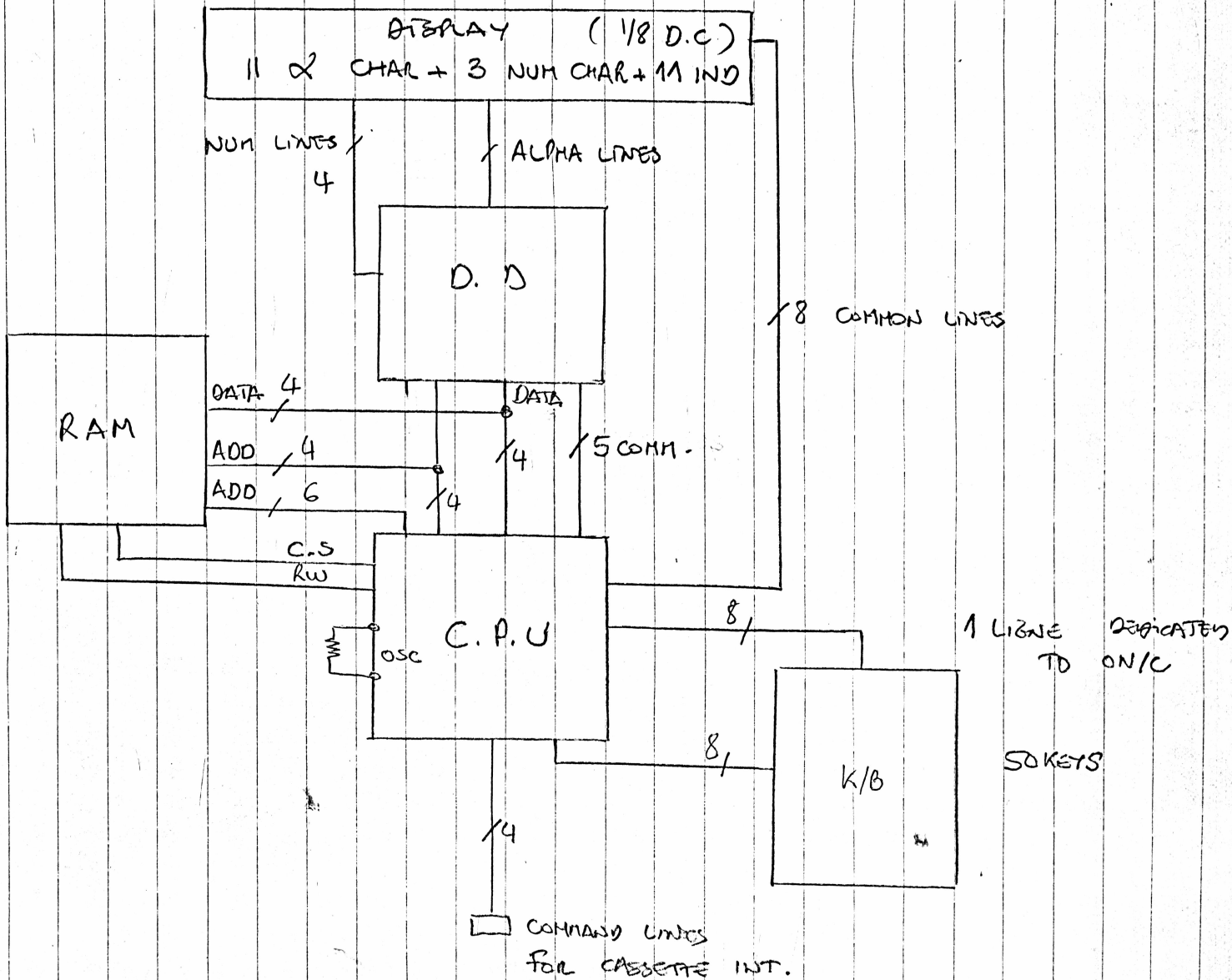


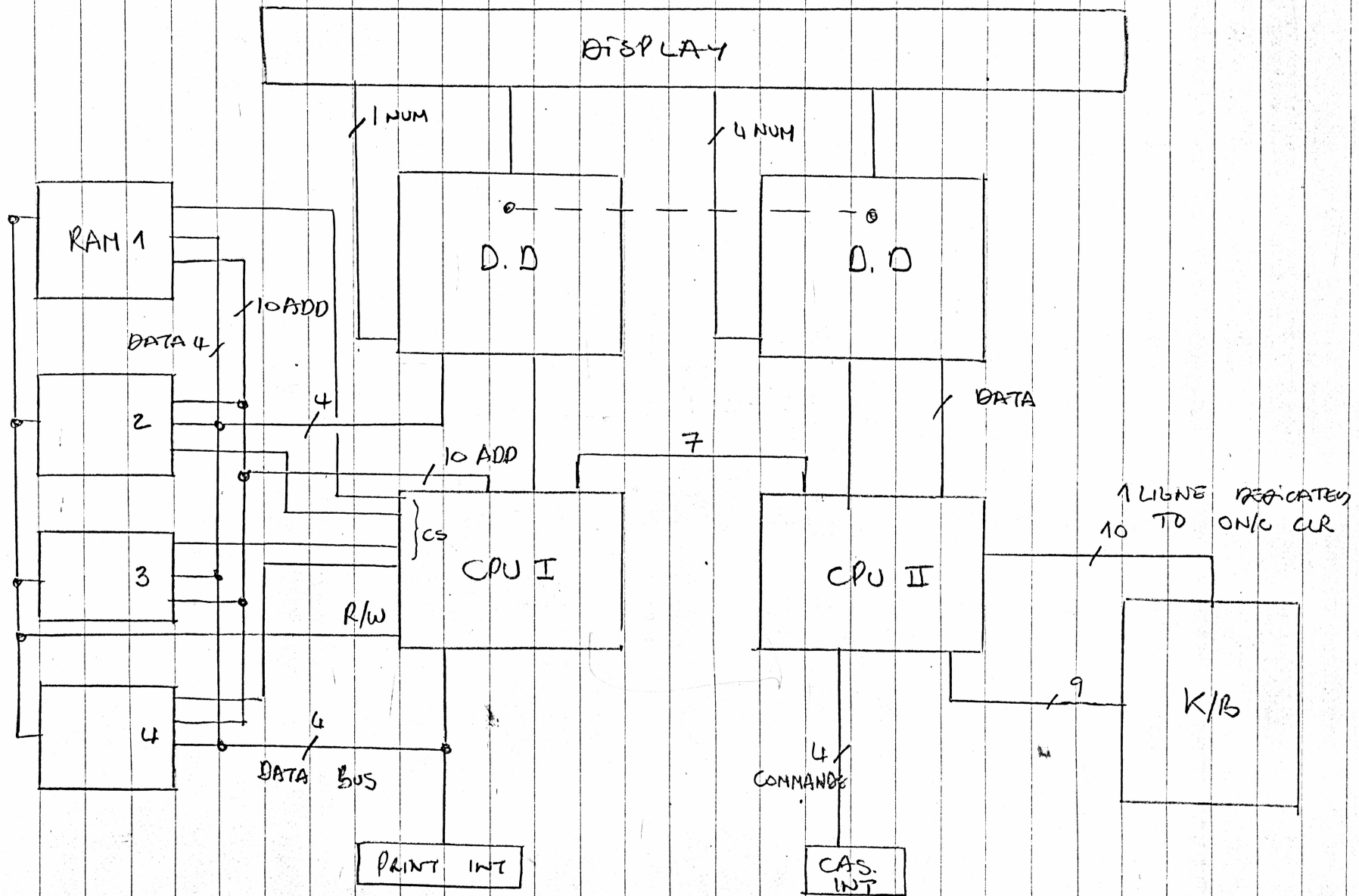
HITACHI CUSTOM CHIP

602 GENERAL ARCHITECTURE



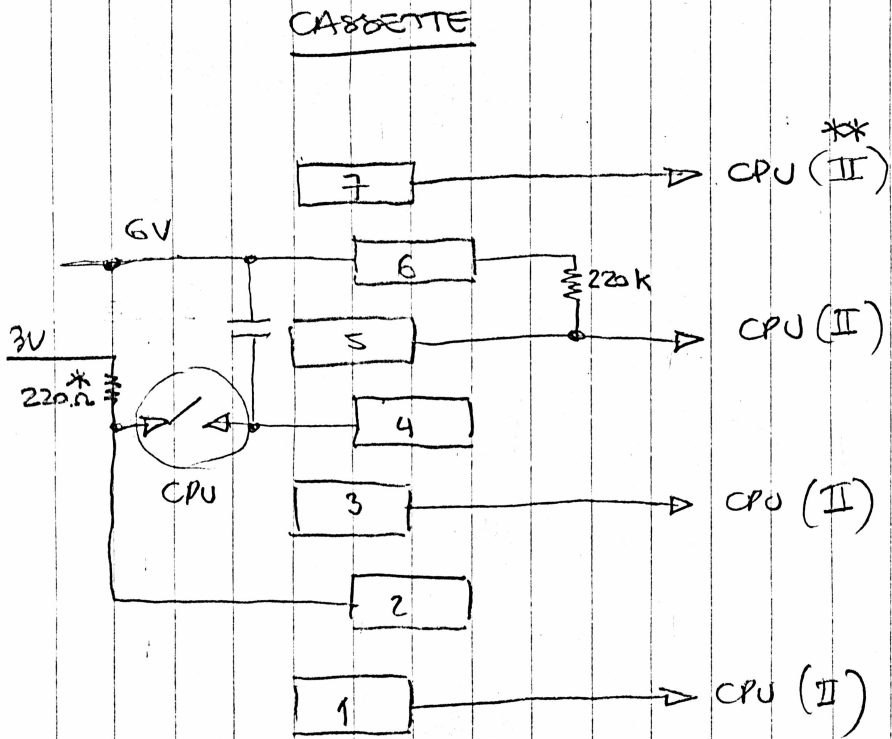
HITACHI CUSTOM CHIP

702 GENERAL ARCHITECTURE



HITACHI CUSTOM CHIP

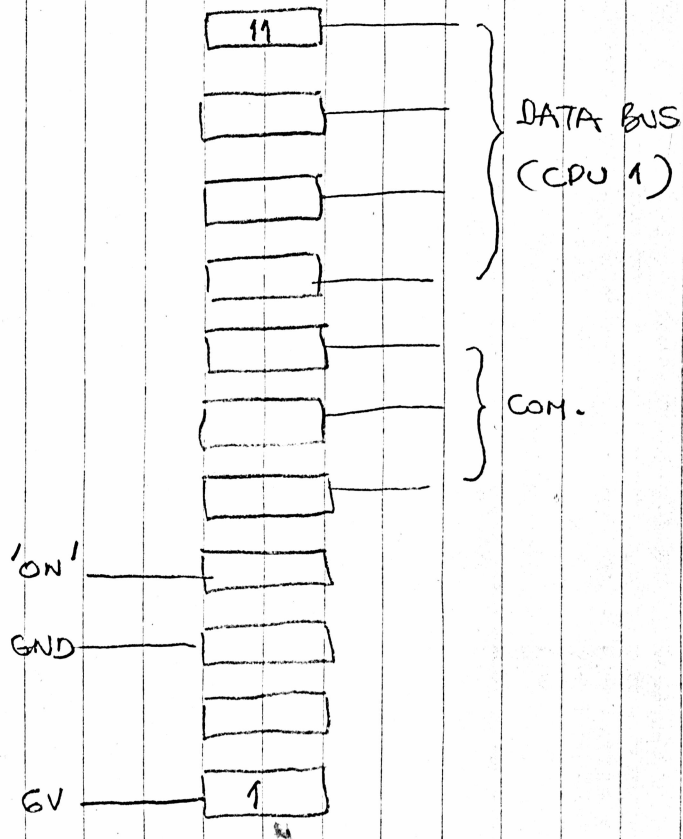
PERIPHERALS



* DONT' EXIST ON 702

** ON 702

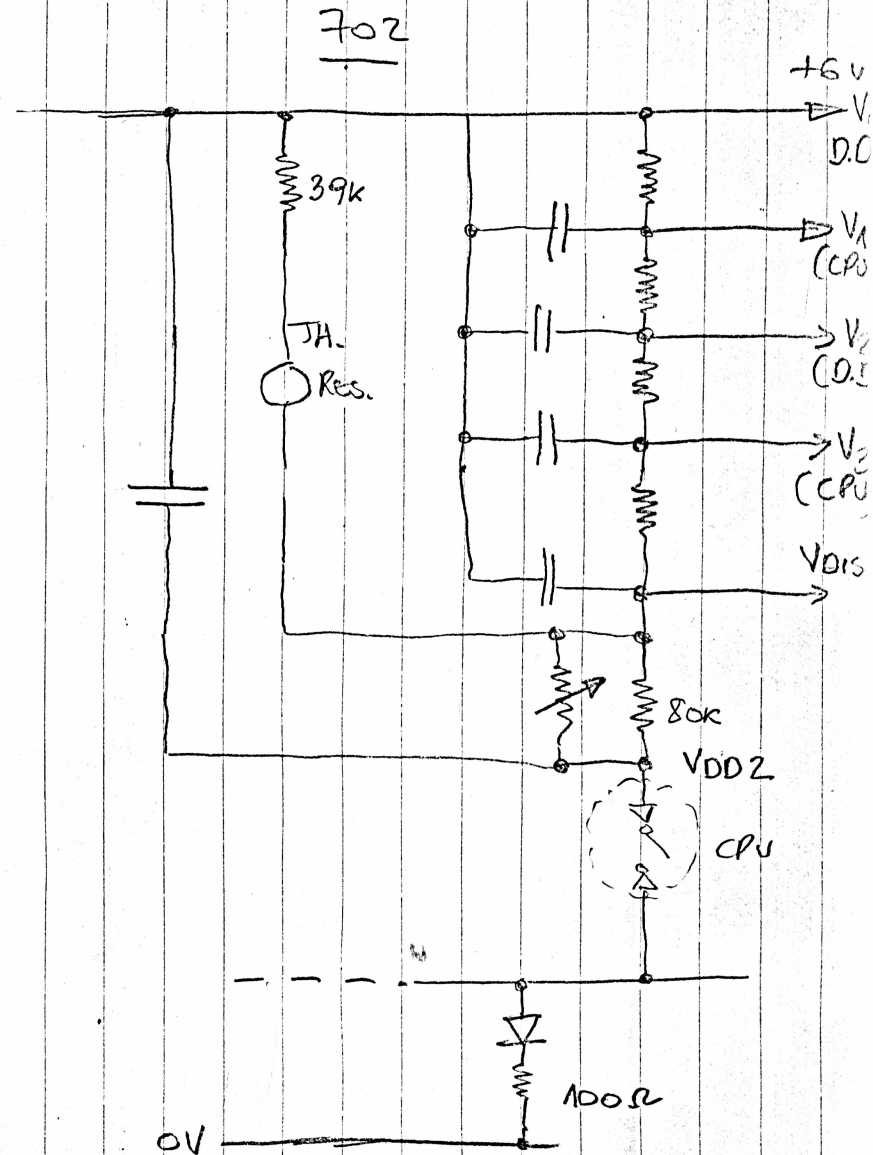
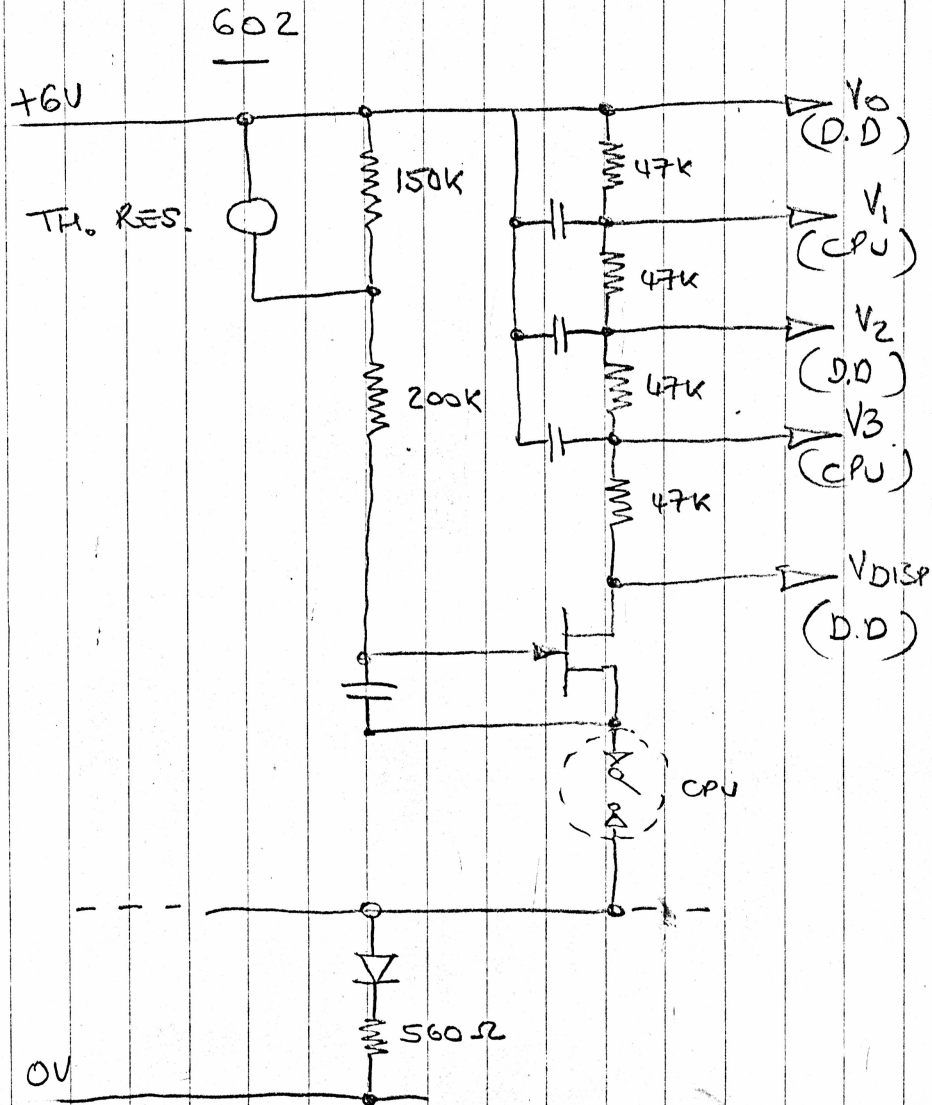
PRINTER (?) **



HITACHI CUSTOM CHIP

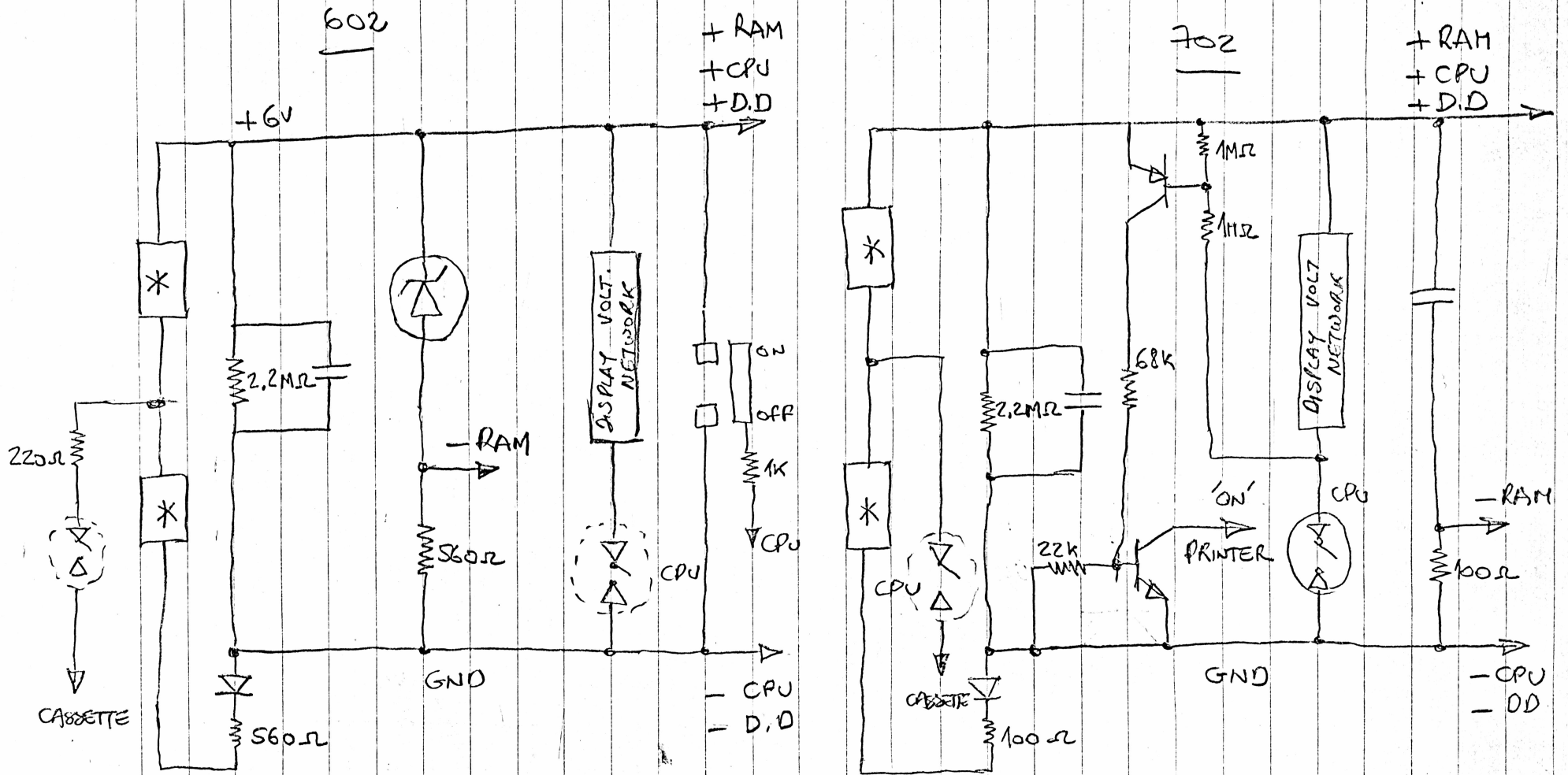
TEMPERATURE COMPENSATION

602 / 702



HITACHI CUSTOM-CHIP

BIASING



* 2 LITHIUM BATTERIES (3V)