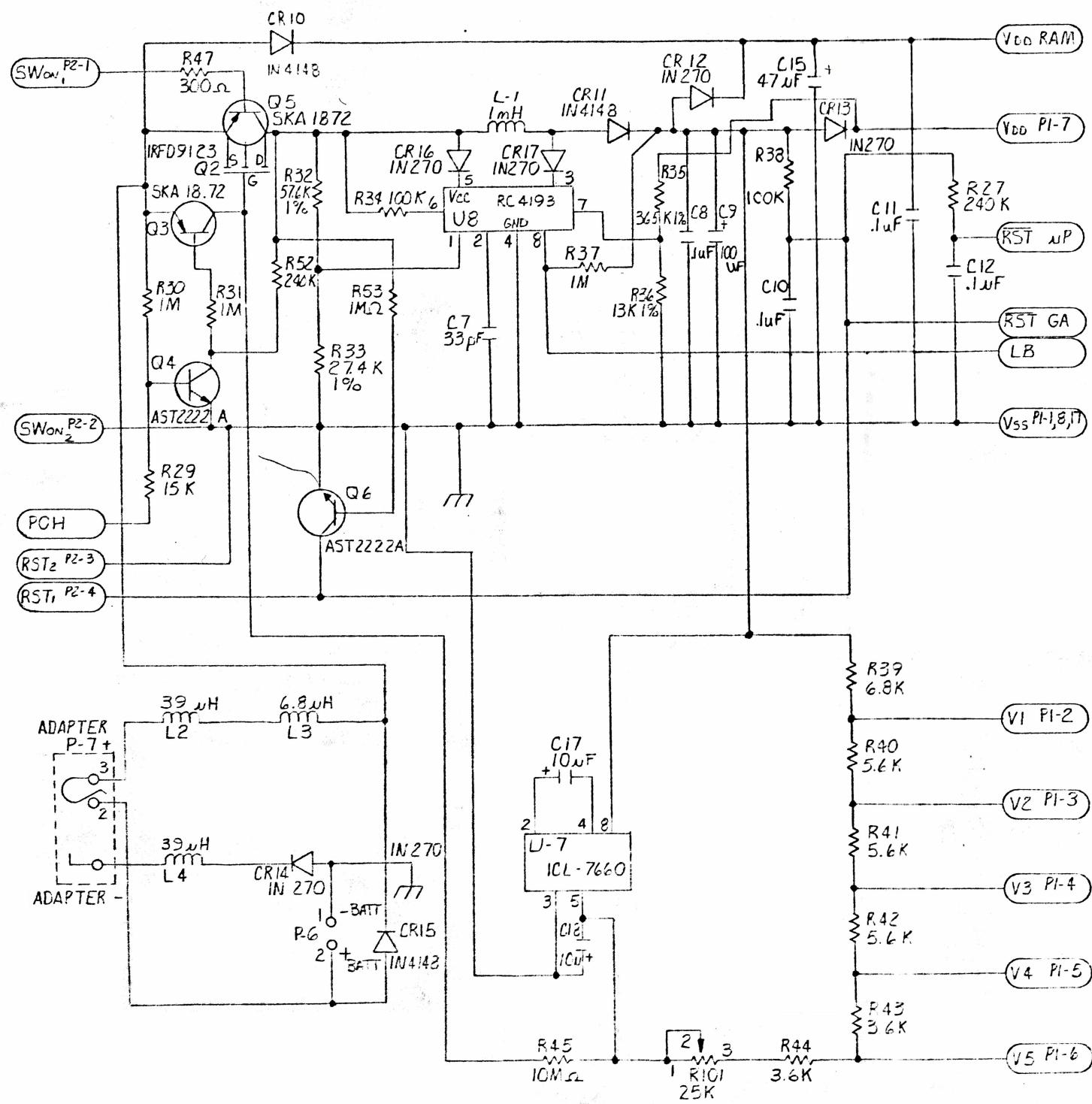


NOTES: UNLESS OTHERWISE SPECIFIED:

| REVISIONS | | | REVISIONS | | | | |
|-----------|---|---------|-----------|---------|-----------------------|------|------|
| REV | DESCRIPTION | DATE | APVD | REV | DESCRIPTION | DATE | APVD |
| | | | | | FORMAL RELEASE | | |
| A | ECN 105571 Korean Fluoridity | 8-17-83 | | 5/1/83 | FORMAL RELEASE | | |
| | 1. DELETE C23, L5, P8-2. | | | 7-20-83 | APVD | | |
| | 2. ADD Q6 AND R53. | | | | | | |
| | 3. CHG: R44 TO 3.6K, R101 TO 25K, R39 TO 6.8K | | | | | | |



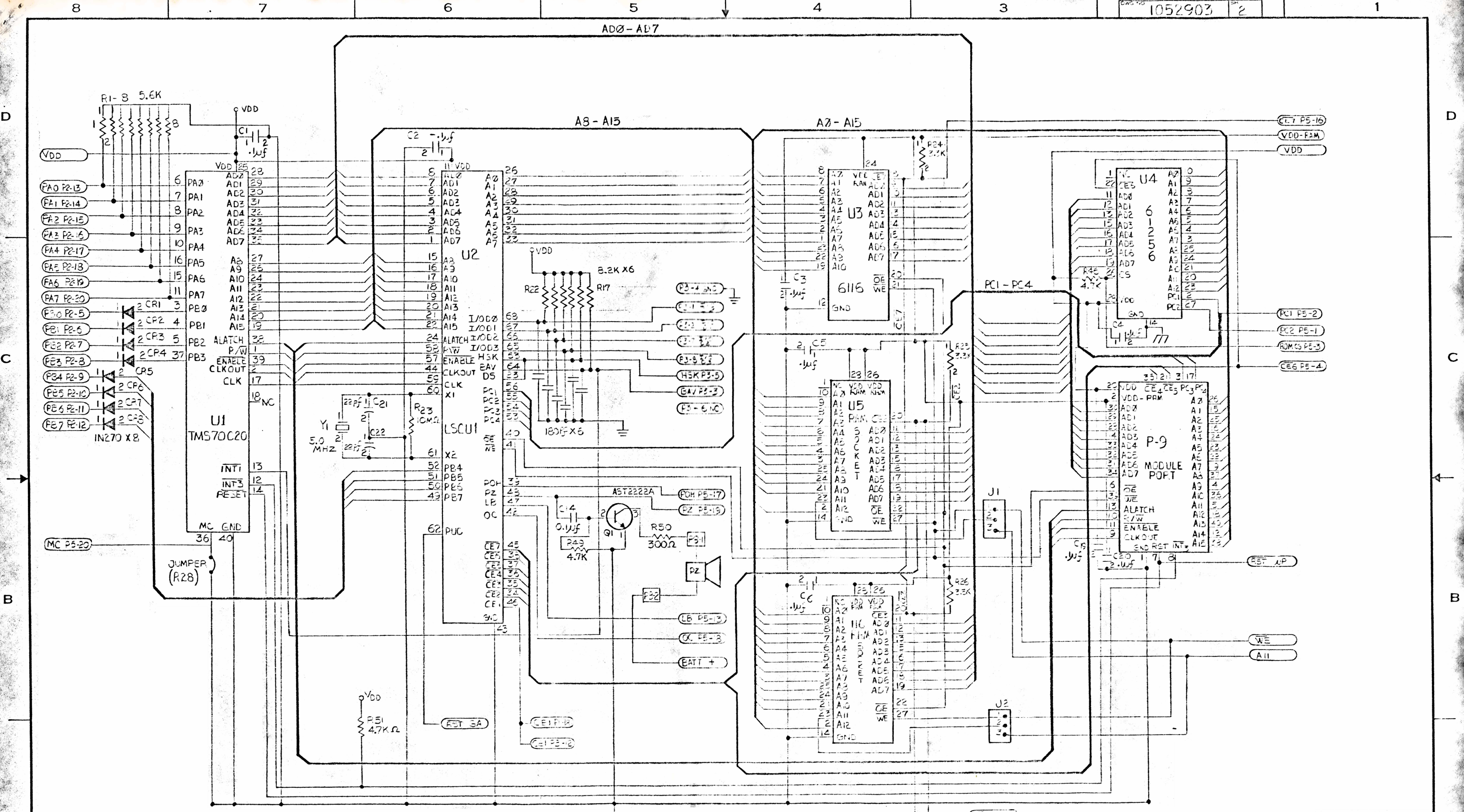
| ITEM NO | PART NUMBER | DESCRIPTION | MATERIAL | REMARKS |
|---------|-------------|-------------|----------|---------|
| | | | | |
| | | | | |
| | | | | |
| | | | | |
| | | | | |
| | | | | |
| | | | | |
| | | | | |
| | | | | |
| | | | | |
| | | | | |
| | | | | |
| | | | | |
| | | | | |
| | | | | |
| | | | | |
| | | | | |

PARTS LIST
DATE 2-18-83
DRAWN BY [Signature]
CHECKED BY [Signature]
DATE 2-21-83
SCALE 1:1
SCALE 2:1

| | |
|---|--|
| UNLESS OTHERWISE SPECIFIED: | |
| • DIMENSIONS IN MILLIMETERS | |
| • TOLERANCES UNLESS OTHERWISE SPECIFIED | |
| • 2 PLACE DECIMALS MM | |
| • 3 PLACE DECIMALS MM | |
| • 4 PLACE DECIMALS MM | |

477
NEXT ASSY. USED ON
APPLICATION

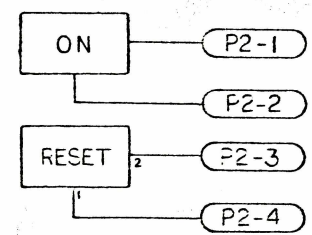
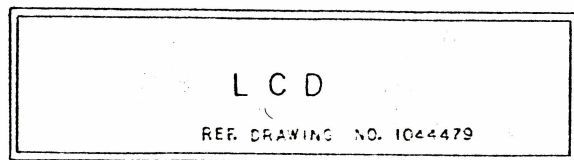
| |
|---|
| TEXAS INSTRUMENTS INCORPORATED CONSUMER PRODUCTS GROUP DALLAS, TEXAS |
| SCHEMATIC WIRING DIAGRAM - ALC BOTTOM (2) CMOS PRODUCT 417 |
| D MP-AW 1052903 |
| SHEET 1 OF 2 |



| DIMENSION IDENT. NUMBER | |
|-------------------------|----------|
| USED | NOT USED |
| | |
| | |
| | |
| | |

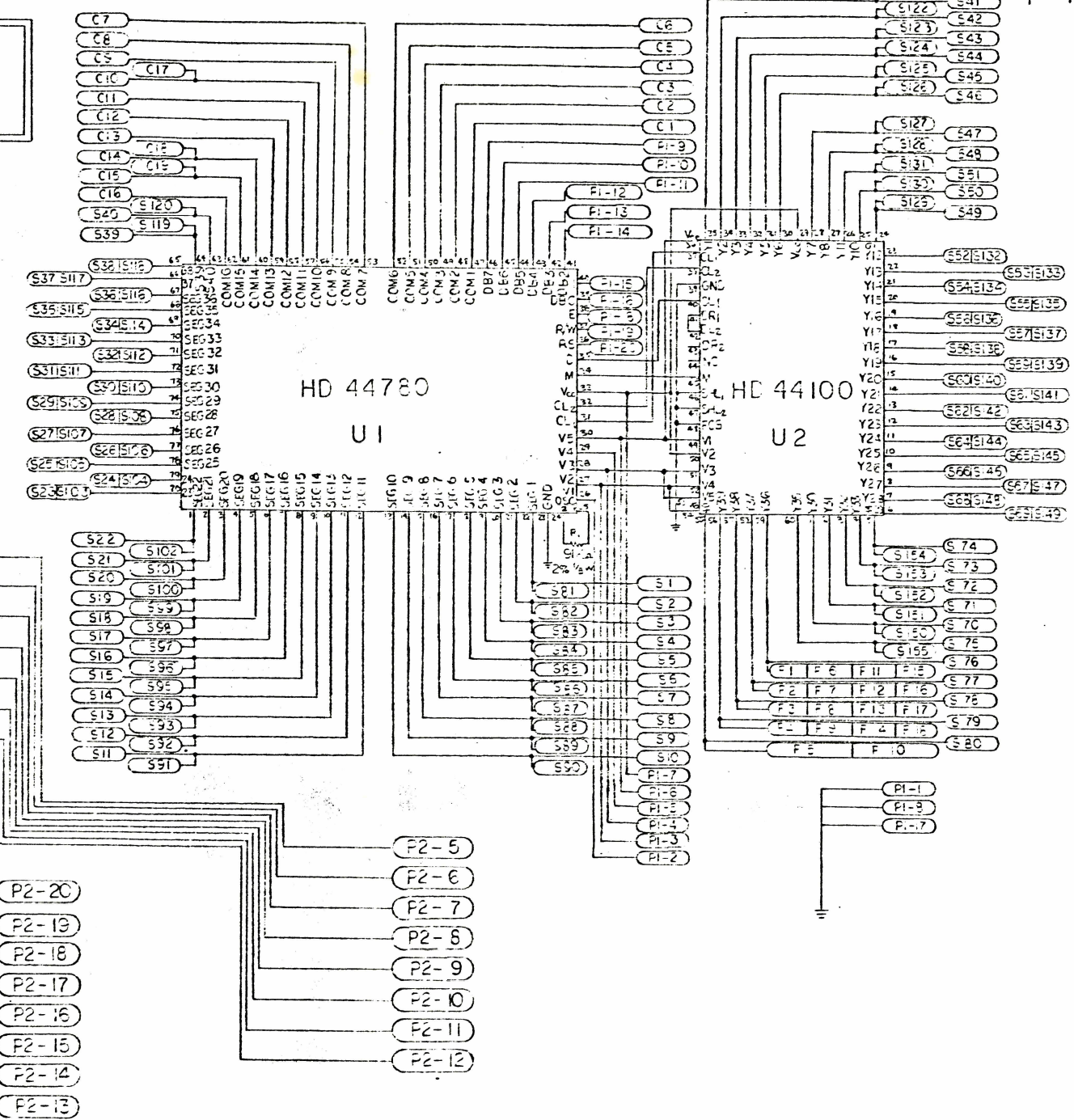
NOTES: UNLESS OTHERWISE SPECIFIED:

| REVISONS | | | REVISONS | | | | |
|----------------|---|---------|----------|---------|-------------|------|------|
| REV | DESCRIPTION | DATE | APVD | REV | DESCRIPTION | DATE | APVD |
| FORMAL RELEASE | | | | | | | |
| A | ECN 107914. Kauri Flow Party 1 IN KE100 MATRIX BLOCK, CHG A3/B7 BLOCK FROM CALL TO RUN. | 8-17-83 | | 2/17/83 | | | |



KEYBOARD MATRIX

| | | | | | | | | |
|----------------|----------------|----------------|----------------|----------------|----------------|----------------|----------------|----------------|
| 1 | 2 | 3 | 4 | 5 | 6 | 7 | 8 | E ₀ |
| Q | W | E | R | T | Y | U | I | B ₁ |
| A | S | D | F | G | H | J | K | B ₂ |
| Z | X | C | V | B | N | M | , | B ₃ |
| SPACE | | ; | L | = | P | O | | B ₄ |
| 0 | CLR | LEFT | RIGHT | UP | / | DOWN | 9 | B ₅ |
| . | + | ENTR | - | | * | | | B ₆ |
| CTL | SHFT | BRK | RUN | | FN | CFF | | B ₇ |
| A ₀ | A ₁ | A ₂ | A ₃ | A ₄ | A ₅ | A ₆ | A ₇ | |



| ITEM NO | PART NUMBER | DESCRIPTION | MATERIAL | REMARKS |
|-------------------------------|-------------|--|----------|---------|
| | | UNLESS OTHERWISE SPECIFIED | | |
| | | • DIMENSIONS ARE IN MILLIMETERS | | |
| | | • TOLERANCES ANGLES ± 1° | | |
| | | 2 PLACE DECIMALS = MM | | |
| | | 1 PLACE DECIMALS = MM | | |
| | | • DIMENSIONING IN ACCORDANCE WITH AS Y 14.5 | | |
| DIMENSION IDENT NUMBER | | PARTS LIST | | |
| USED | NOT USED | DATE 1-3-83 DESIGNER CHECKED DES. ENG. DATE 2-1-83 DATE 2/10/83 DATE 2-9-83 DATE 2-10-83 | | |
| NEXT ASSY USED OR APPLICATION | | TEXAS INSTRUMENTS INCORPORATED Consumer Products Group Lubbock, Texas PRODUCT 477 SIZE SUPPLD D OPERATING C 3504 SCALE 1:1 SHEET | | |