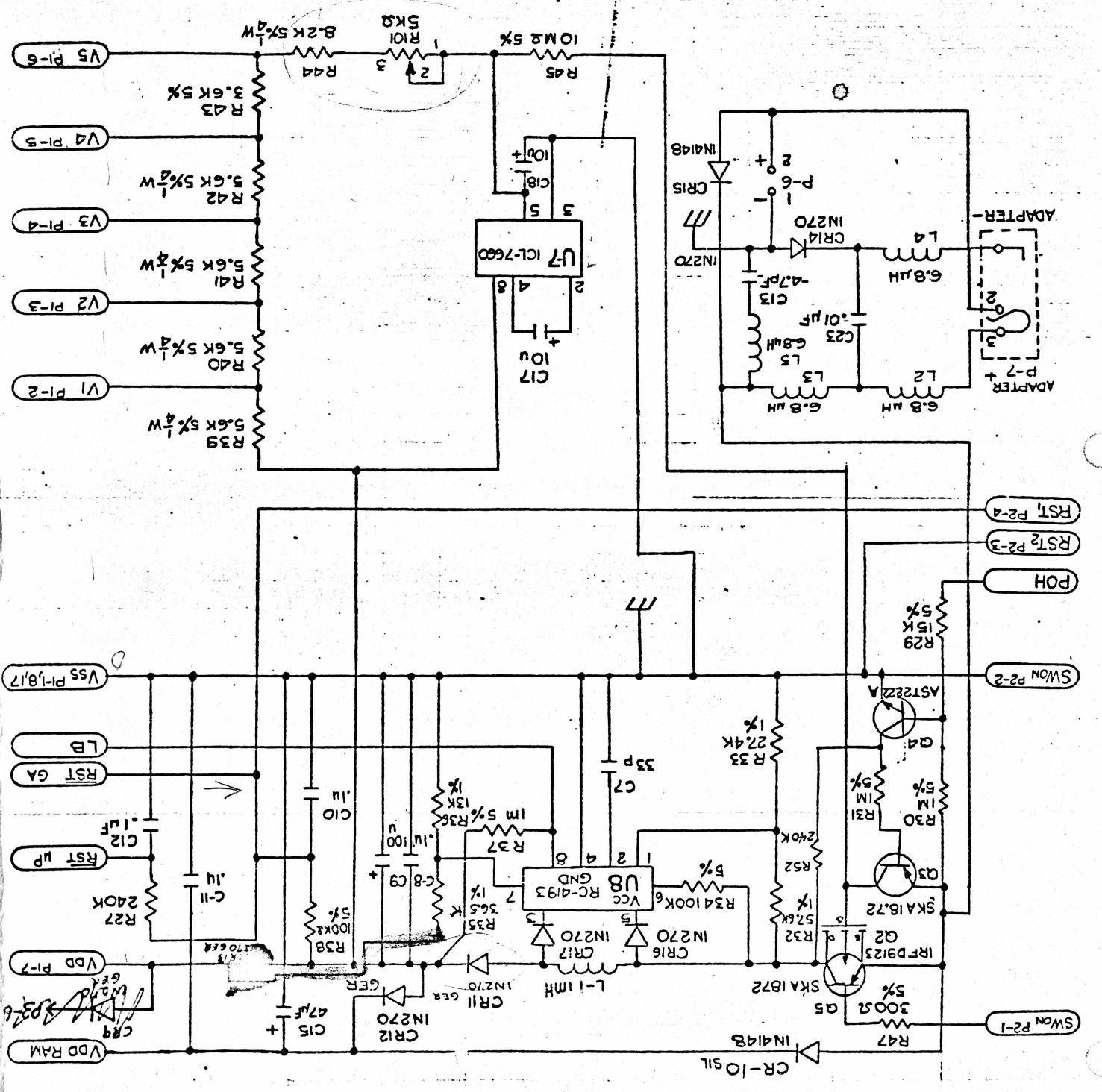


|               |          |
|---------------|----------|
| DESIGNED BY   | DATE     |
| Chen Vue      | 11-1-82  |
| CHECKED BY    | DATE     |
| Kenn H. Harty | 11-20-82 |
| DES. ENG.     | DATE     |
| DAW           | 1-5-83   |
| PCB APVD.     |          |
| ALSE          |          |

| DIMENSION IDENT. NUMBER |          |
|-------------------------|----------|
| USED                    | NOT USED |
|                         | JJ       |
|                         | 1-25-88  |

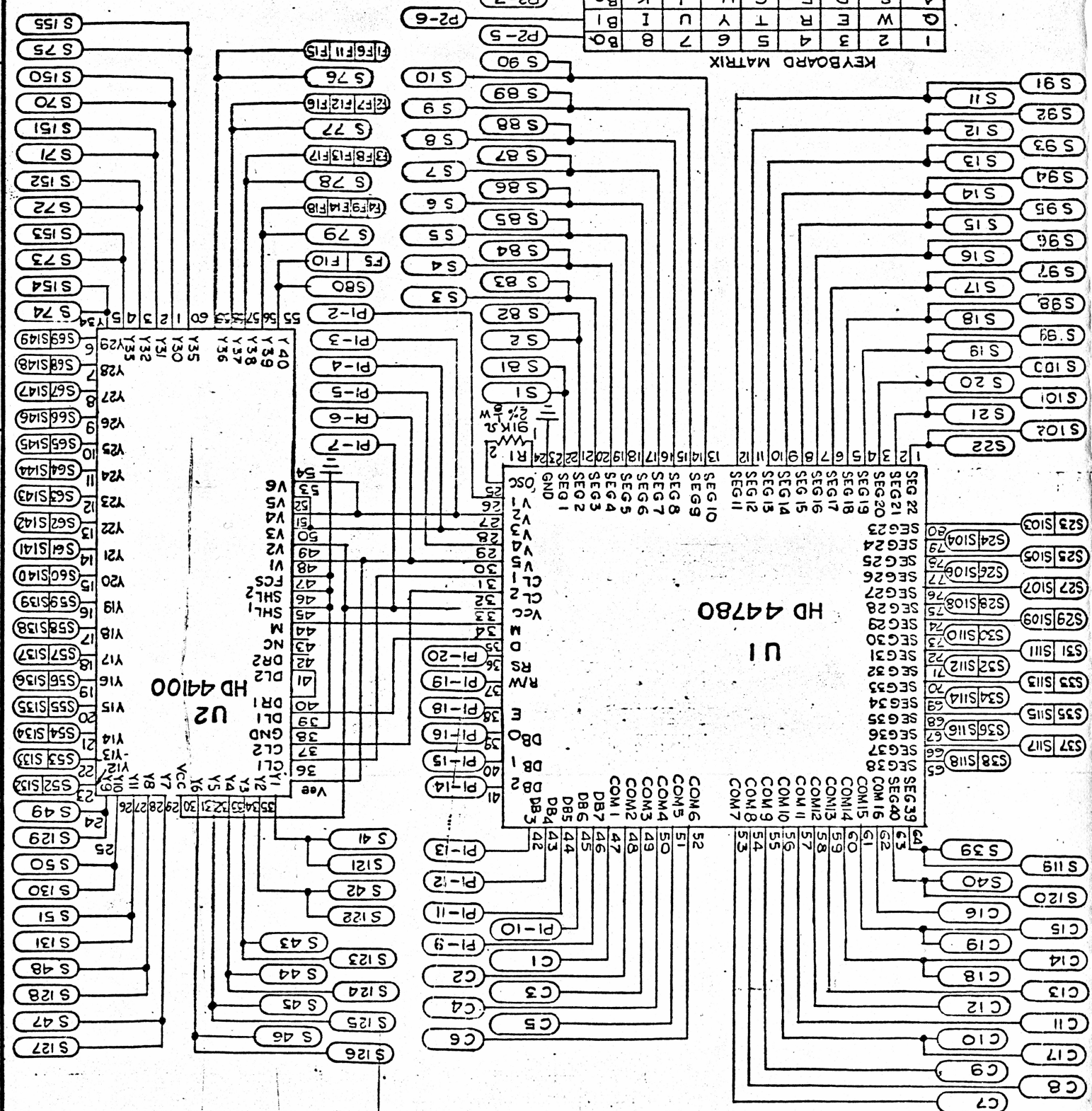
REF. DRAWING NO. 1044479  
LCD

DATE 11-2-82  
CHECKED  
DES. ENG.  
P.C.C. AVD.



|          |    |           |      |      |     |    |    |
|----------|----|-----------|------|------|-----|----|----|
| A0       | A1 | A2        | A3   | A4   | A5  | A6 | A7 |
| 1        | 2  | 3         | 4    | 5    | 6   | 7  | 8  |
| Q        | W  | E         | R    | T    | Y   | U  | I  |
| A        | S  | D         | F    | G    | H   | J  | K  |
| Z        | X  | C         | V    | B    | N   | M  | 1  |
| SPACE    | 3  | L         | =    | P    | O   | B4 |    |
| CLR LEFT | 0  | CLR RIGHT | UP   | DOWN | 9   | B5 |    |
| SHFT     | A1 | BRK       | CALL | FN   | OFF | A7 | B7 |
| CTL      | A1 | A2        | A3   | A4   | A5  | A6 | A7 |

KEYBOARD MATRIX



TEXAS INSTRUMENTS  
LONESTAR SCHEMATIC  
CHEM VUE 11-2-82  
SCALE NONE  
SHEET 2 OF 2

|       |       |       |
|-------|-------|-------|
| PI-1  | PI-8  | PI-17 |
| P2-1  | P2-2  | P2-3  |
| P2-4  | P2-5  | P2-6  |
| P2-7  | P2-8  | P2-9  |
| P2-10 | P2-11 | P2-12 |
| P2-13 | P2-14 | P2-15 |
| P2-16 | P2-17 | P2-18 |
| P2-19 | P2-20 |       |

