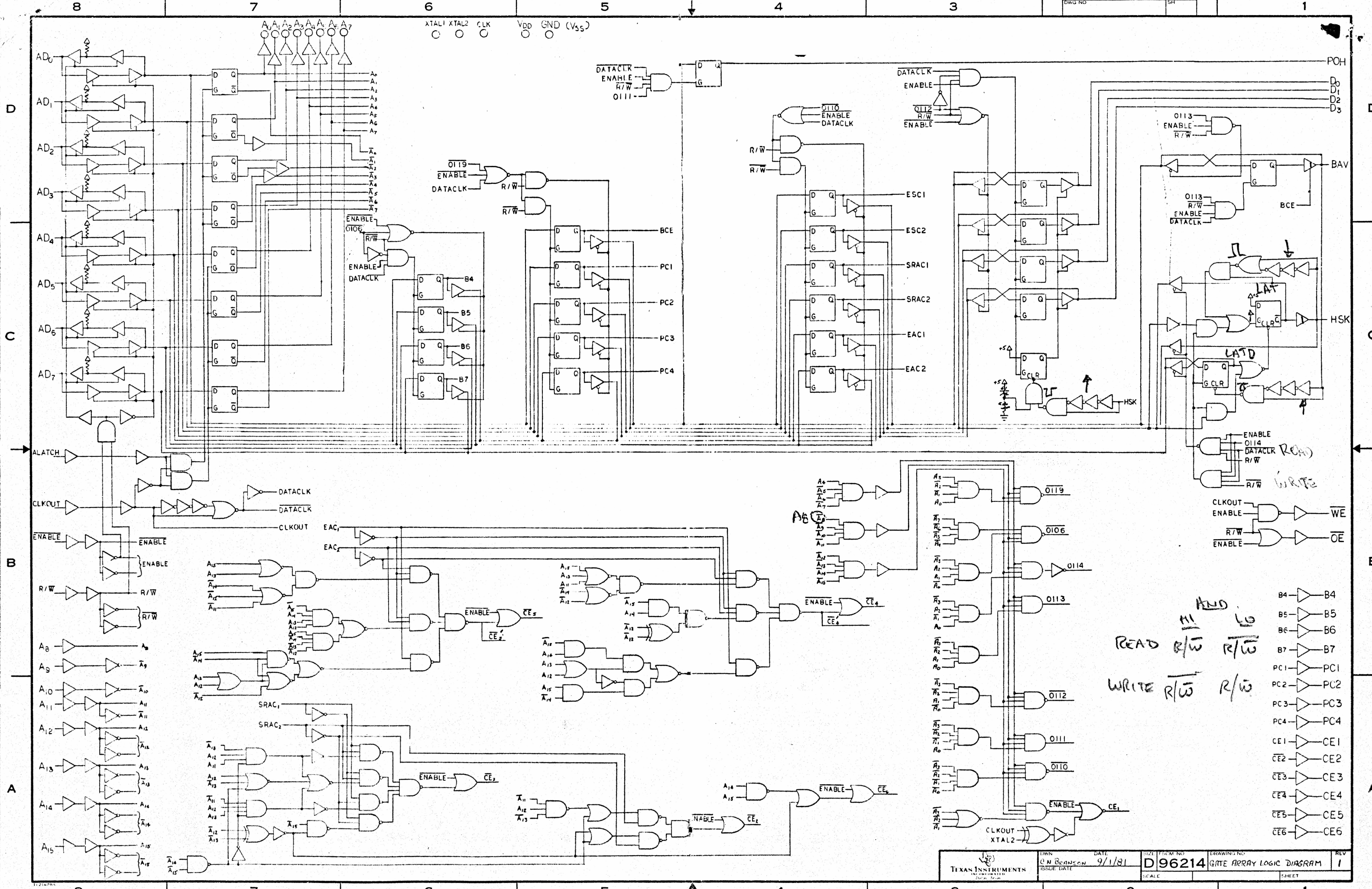
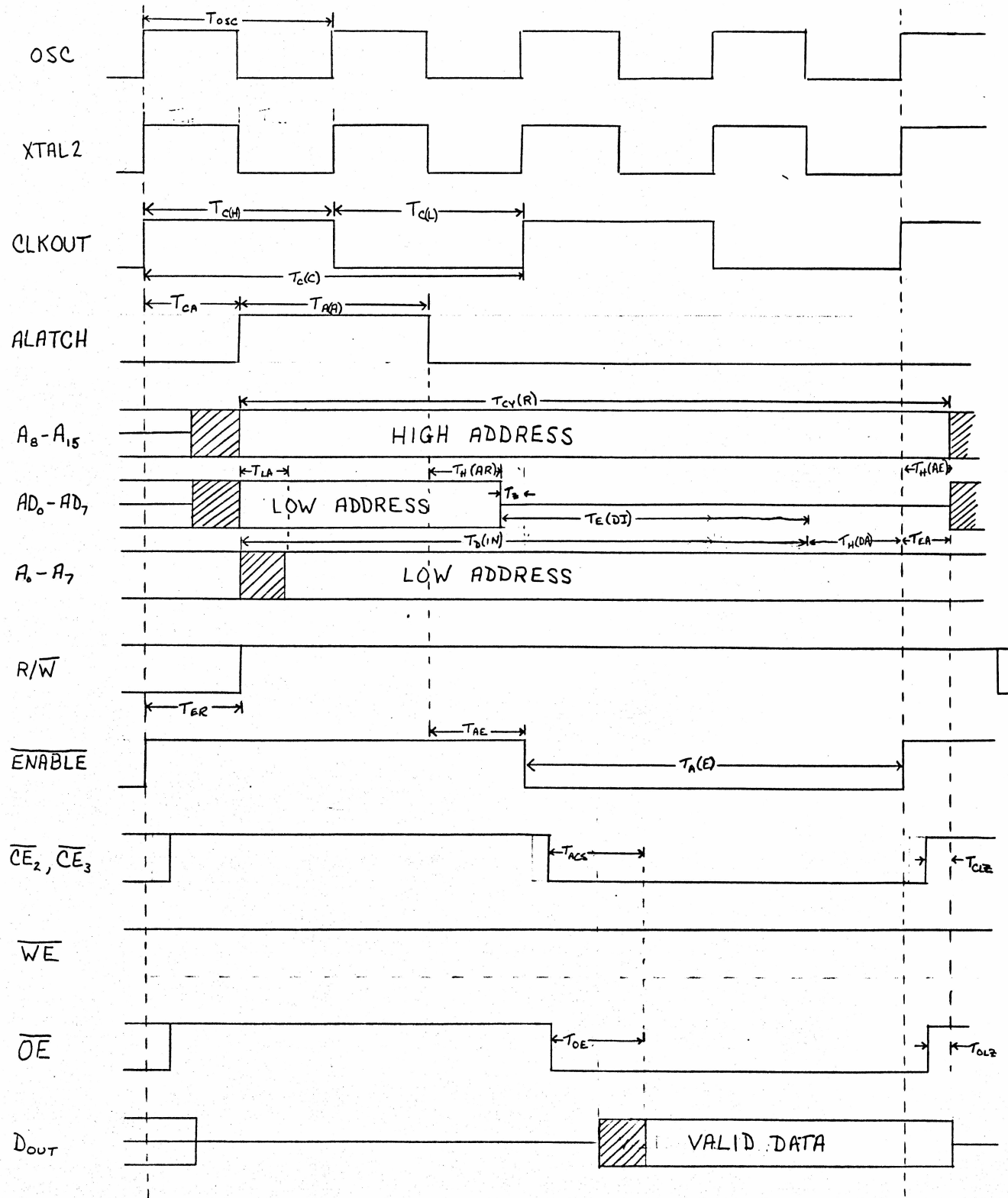


 TEXAS INSTRUMENTS INCORPORATED <small>Dallas, Texas</small>	DWN	DATE	SIZE	FSM NO.	DRAWING NO.	REV
	C. ROANSON	9/1/81	C	96214	GATE ARRAY BLOCK DIAGRAM	2
ISSUE DATE		SCALE	SHEET			

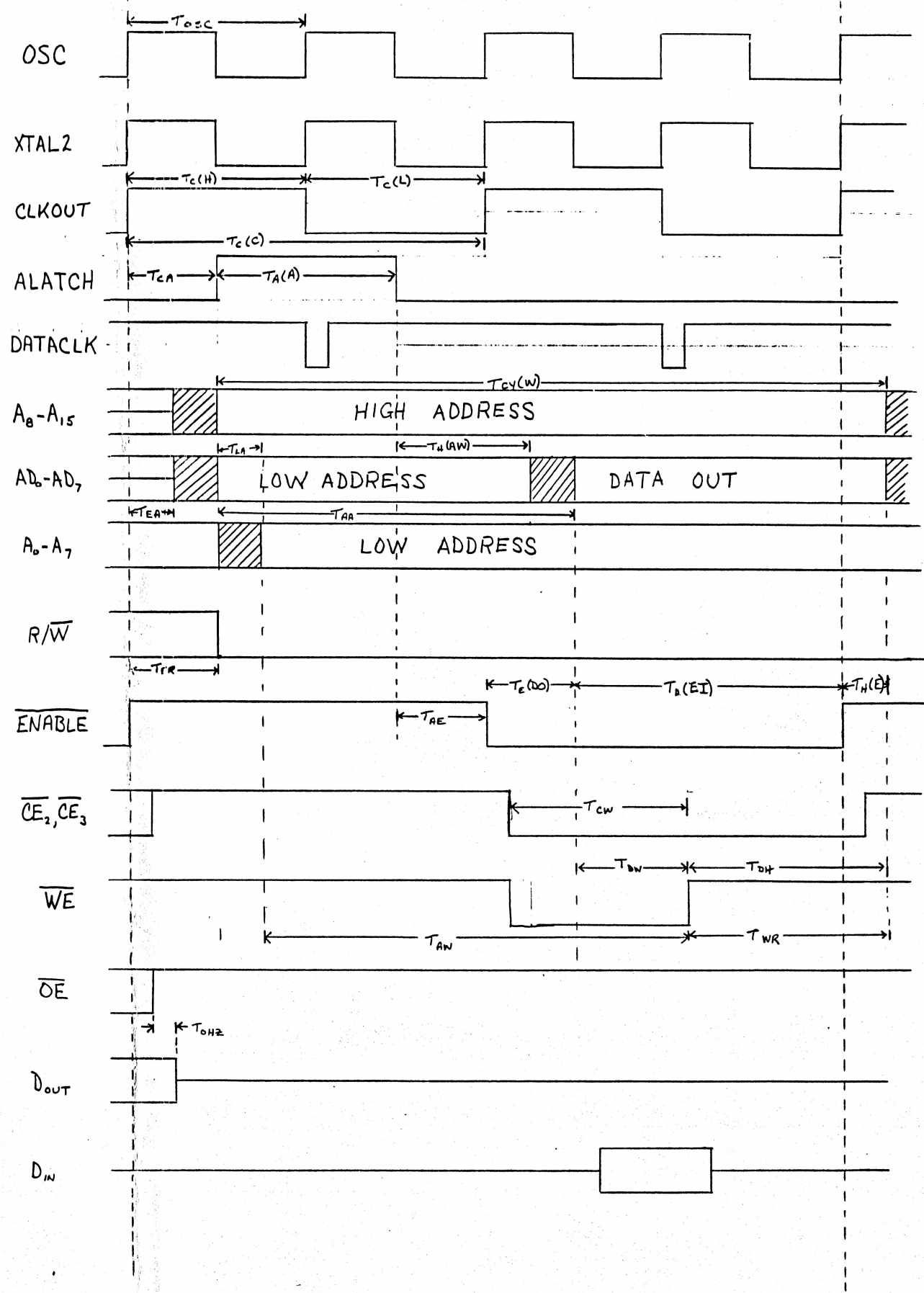
DWG NO
 OCE₆ sys Rom



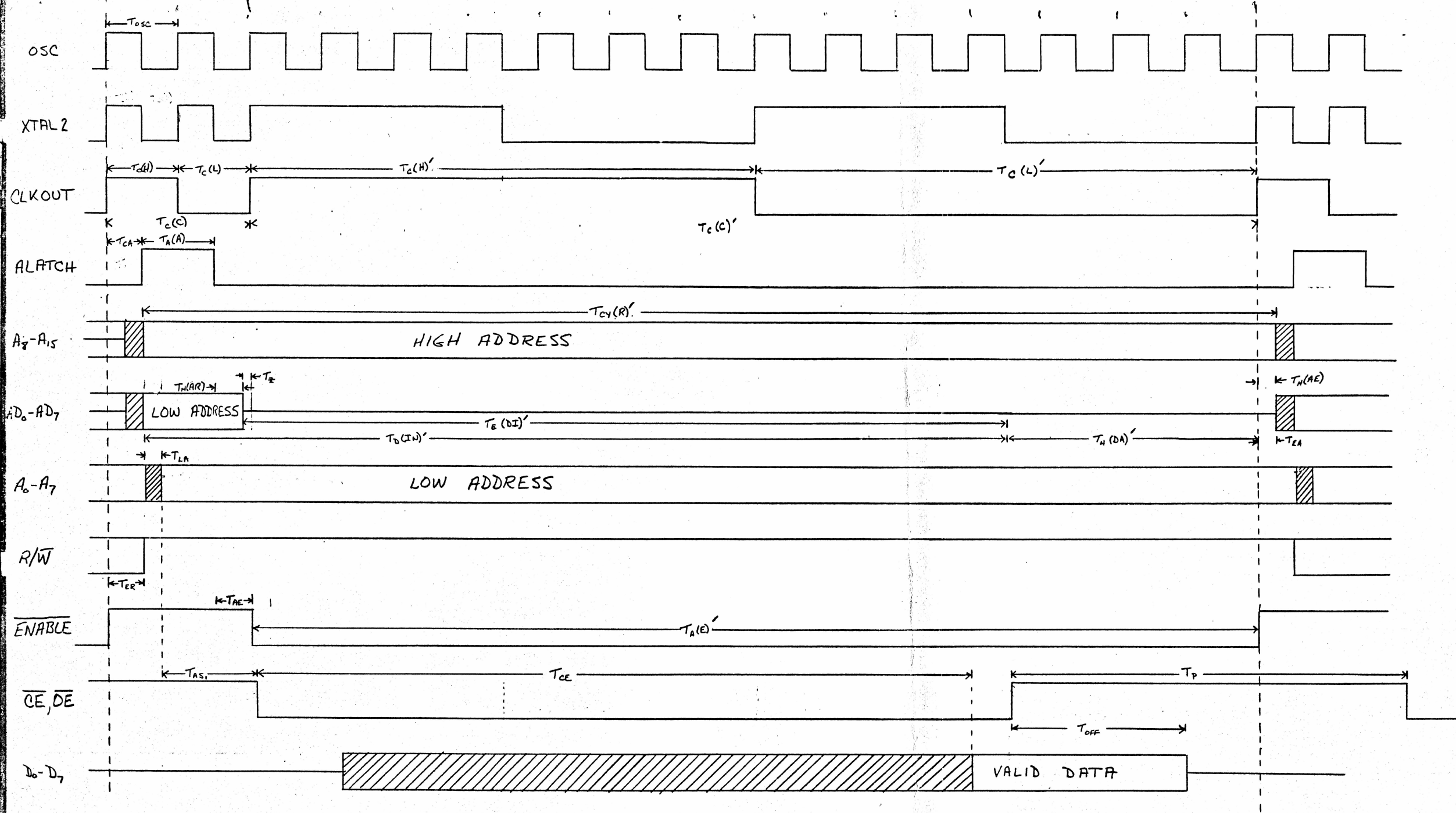
RAM READ CYCLE



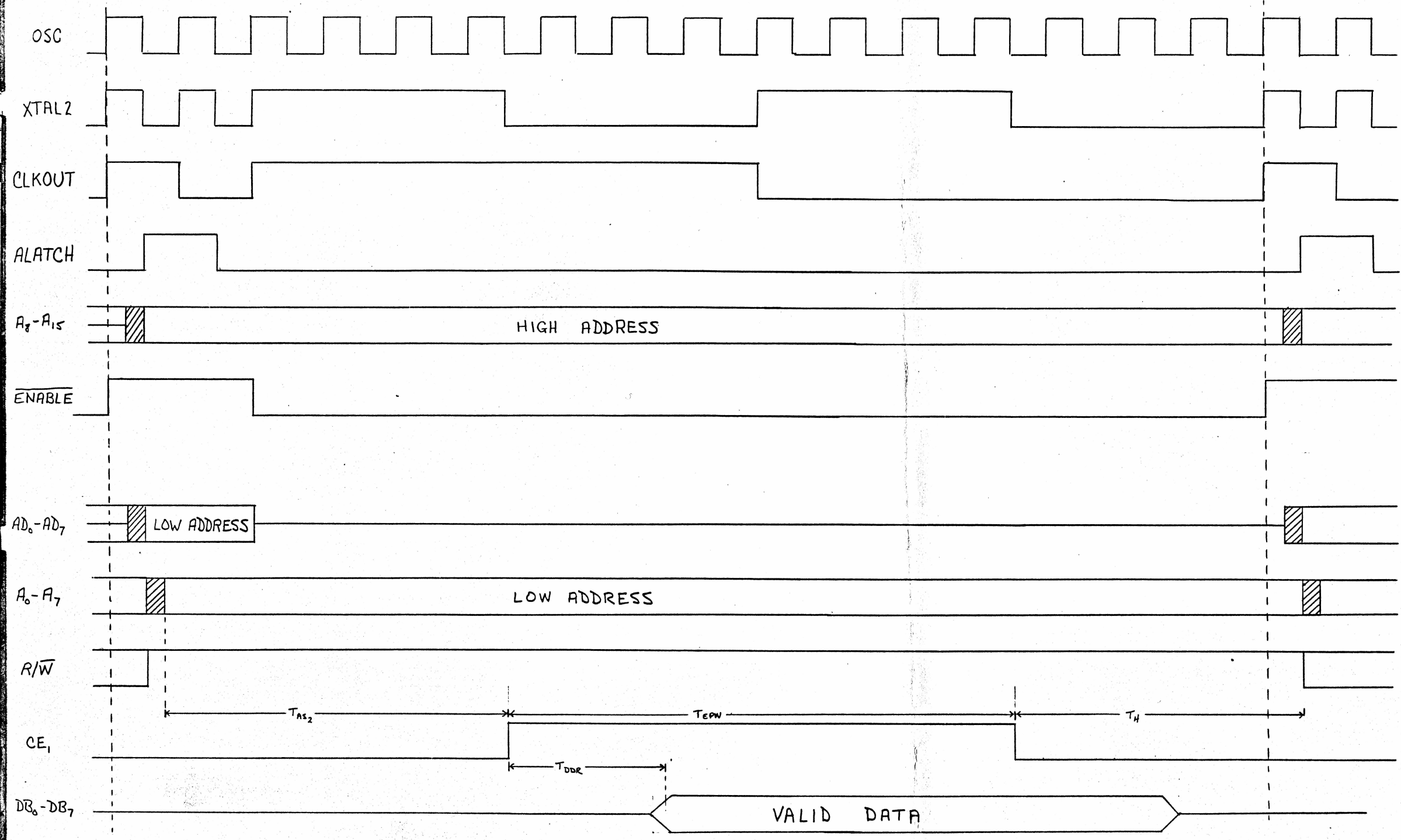
RAM WRITE CYCLE



ROM READ CYCLE (SLOW CYCLE)



LCD READ CYCLE (SLOW CYCLE)



LCD WRITE CYCLE (SLOW CYCLE)

