

TABLE 6-1. UNUSED OP CODES

HEXADECIMAL				BINARY																				
				0	1	2	3	4	5	6	7	8	9	10	11	12	13	14	15					
0	0	0	0	-	0	1	F	F	0	0	0	0	0	0	0	x	x	x	x	x	x	x	x	x
0	3	2	0	-	0	3	3	F	0	0	0	0	0	0	1	1	0	0	1	x	x	x	x	x
0	7	8	0	-	0	7	F	F	0	0	0	0	0	1	1	1	1	x	x	x	x	x	x	x
0	C	0	0	-	0	F	F	F	0	0	0	0	1	1	x	x	x	x	x	x	x	x	x	x

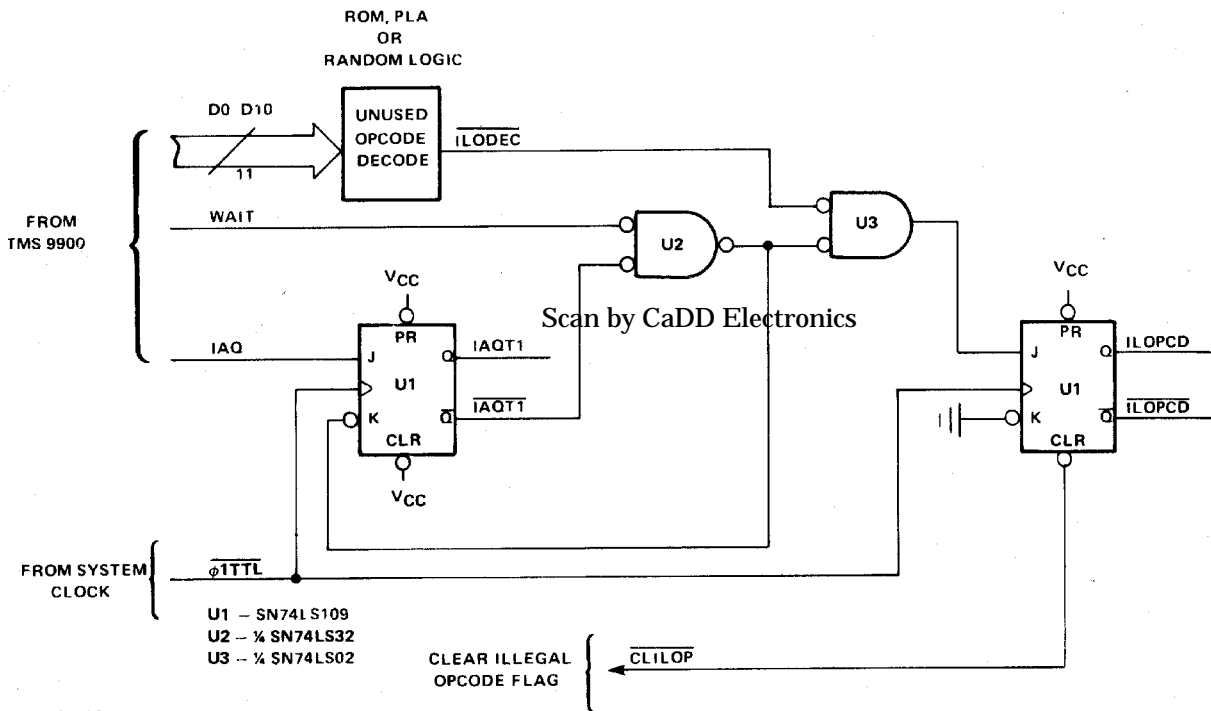


Figure 6-1. Illegal Op Code Detection Circuitry