

CORTEX USERS GROUP

CORTEX USER GROUP NEWSLETTER (AUG 1987)

Issue Number 12

CONTENTS

1. Index
2. Erata / News
3. Programme (PDIR Directory print utility)
6. Centronics printer port mod
7. Keys programme update
8. MDEX utilities information
9. 256K memory mod
10. Small characters in graph programme
12. Parallel plus serial I/O port
13. Keyboard mods
15. R.M.Lee 2 pass assembler update
16. Adverts page

ERRORS

RAMDISC ISSUE 9 PAGE 9.5

Faulty disk access can occur when this programme is installed sometimes resulting in files being erased. The fault as caused because the routine corrupts R12 which cdos uses for something else. To correct the problem re-write the routine changing all referances to R12 to R2 instead.

SHORT TIP DMA MOD ISSUE 7 PAGE 7.12

Pin 4 of IC24 should be isolated and taken to +5V not pin 5

NEWS

A meeting of Cortex and TI994A users will take place at Sneyd school Bloxwich on September the 5th. More details enclosed seperately.

Chris Young has sent in a disk full of Cdos utilities including the following:-

PDIR	Print directory utility programme
SORTDIR	Sorts directory entries into alphabetical order
DV	Verifies disk sectors and flags any errors
DISKNAME	Puts a name on the disk for use by PDIR etc.

These programmes will be printed in this and future issues but if users would prefer to obtain the programmes on disk free of charge just send in a Formatted disk plus £2.00 to cover copying and postage.

Chris has also written a small machine code routine called SMALL which allows printing of 64 columns to the screen in graph mode. Details in this issue.

Also from Chris Young is a CDOS compatible editor assembler package written in machine code. The full screen editor can handle very large source files and is simple to use. A help screen is provided in case you forget some of the commands. The very fast assembler supports all the 9995 opcodes and also the Cortex Mid opcodes MSG, WRIT etc. Two special opcodes have been added TEXT and GRAPH for changing the screen mode from within a machine code programme. Routines for printing source and label listing are also included.

The complete package is available from the group for £15.00 Please specify exact disk format required.

PRINT DIRECTORY PROGRAMME BY C.J.YOUNG

```

20  REM *****
50  REM * PRINT DIR *
80  REM *****
110 REM *** Display title ***
130 TEXT
140 ? " CDOS Print directory 1.0 1987"
150 ? " Input Drive ? ";
160 IK=KEY[0]
170 IF IK=0: GOTO 160
180 IF IK<48: GOTO 160
190 IF IK>51: GOTO 160
200 DRV=IK-48
210 ? DRV
220 REM
230 REM *** Set up Arrays ***
240 REM
250 DIM B[100] !Buffer
260 DIM $NM[9] !Name of disc
270 DIM MC[20] !Machine code
280 REM
290 REM *** Set up variables ***
300 REM
310 AMC=ADR[MC[0]] !Addr of MC
320 AB=ADR[B[0]] ! Addr of buffer
330 ERR=0 !Error
340 D2=DRV*2
350 USD=0
360 AR=0A5A5H
370 NA=05A5AH
380 SD=0FFFFH
390 NF=0
400 REM
410 REM * Machine code *
420 REM
430 DATA 0420H,06180H,0D000H,01601H
440 DATA 0380H,0460H,06550H,04F2H
450 DATA 04D2H,0C0F1H,0704H,0A13H
460 DATA 01701H,0592H,0924H,016FBH
470 DATA 0600H,016F7H,0380H,0H
480 FOR I=AMC TO AMC+38 STEP 2
490 READ X
500 MWD[I]=X
510 NEXT I
520 REM
530 REM * Get disk name *
540 REM
550 $NM[0]="SYSTEM DISK"
560 CALL AMC,0,DRV*256,0,AB,128
570 IF MWD[AB]: GOTO 610
580 FOR X=1 TO 20
590 $NM[0;X]=%MEM[AB+X+1]
600 NEXT X
610 UNIT 2: UNIT -1
620 ? " <1B>-1CDOS Print directory Utility 1.0 ";

```

```

630 ? "Time: ";: TIME
640 ? "<1B>-0"
650 ? " Disk Name: "$NM[0]
660 UNIT -2: UNIT 1
670 REM
680 REM * Get disk parameters *
690 REM
700 DP=MWD[06382H+D2]
710 SPT=MWD[DP] ! Sectors/track
720 NS=MWD[DP+2] !no of sectors
730 DS=MWD[DP+4] !Directory start
740 MF=MWD[DP+6] !Max Files
750 BPS=MWD[06362H+D2] !Bytes/sector
760 BMA=SPT*BPS ! Bit map Addr
770 DDA=DS*BPS ! Disk Dir Addr
780 BML=DDA-BMA ! Bit Map Length
790 REM
800 REM * Calc used *
810 REM
820 CALL AMC,0,DRV*256,BMA,AB,BML
830 CALL AMC+14,BML,AB,ADR[USD]
840 UNIT 2: UNIT -1
850 ? " Total number of sectors = "£'9999'NS
860 ? " Number of Used Sectors = "£'9999'USD
870 ? " Number of Free Sectors = "£'9999'NS-USD
880 ? " Number of Bytes per Sector = "BPS
890 ? " Maximum number of files ="MF
900 ? "=====
910 ? " Name Type Length Load Sector Length"
920 ? "-----"
930 FOR I=0 TO MF-1
940 CALL AMC,0,DRV*256,DDA+I*64,AB,64
950 IF MWD[AB]=0: GOTO 1420
960 REM
970 REM * Print name *
980 REM
990 FOR X=1 TO 8
1000 Q=MEM[AB+X+1]
1010 IF Q=0: Q=32
1020 $NM[0;X]=%Q%0
1030 NEXT X
1040 ? " ";$NM[0];
1050 REM
1060 REM * Check type *
1070 REM
1080 IF MWD[AB]=AR: GOTO 1210
1090 IF MWD[AB]=NA: GOTO 1250
1100 IF MWD[AB]=SD: GOTO 1150
1110 ? " Random Data ";
1120 ? £'999'MWD[AB];
1130 DL=MWD[AB]
1140 GOTO 1170
1150 ? " Sequential data";
1160 DL=6
1170 X=MWD[AB+18]

```

```

1180 ? " R=";
1190 ? £'9999'X/DL;
1200 GOTO 1340
1210 ? " Auto-Run";
1220 IF MWD[AB+10]: ? " Basic ";
1230 ELSE ? " Code ";
1240 GOTO 1290
1250 IF MWD[AB+10]: GOTO 1320
1260 ? " Code ";
1270 IF MWD[AB+14]: ? "program ";
1280 ELSE ? " ";
1290 IF MWD[AB+10]: GOTO 1330
1300 ? " ";£,MWD[AB+16];"H ";£,MWD[AB+12];"H ";
1310 GOTO 1350
1320 ? " Basic program ";
1330 ? " ";£'99999'MWD[AB+16];" ";
1340 ? " ";
1350 FOR ZZ=32 TO 60 STEP 4
1360 ? " ";£,MWD[AB+ZZ];"H ";
1370 ? £,MWD[AB+ZZ+2];"H"
1380 IF MWD[AB+ZZ+4]=0: ZZ=64: GOTO 1400
1390 ? " ";
1400 NEXT ZZ
1410 NF=NF+1
1420 NEXT I
1430 ?
1440 ? "-----"
1450 UNIT 1
1460 ? " End Of Directory"
1470 ? " Number of files Used ="NF
1480 UNIT -1
1490 ? "<C>";
1500 UNIT 1: UNIT -2
1510 END

```

EXAMPLE RUN

```

CDOS Print directory 1.0 1987
Input Drive ? 1
-1CDOS Print directory Utility 1.0 Time: 00:12:55-0
Disk Name: SYSTEM DISK
Total number of sectors = 640
Number of Used Sectors = 285
Number of Free Sectors = 355
Number of Bytes per Sector = 128
Maximum number of files = 30

```

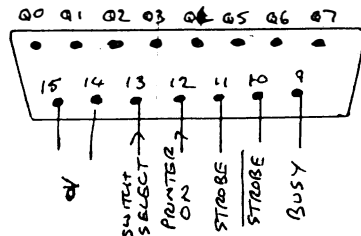
Name	Type	Length	Load	Sector	Length
SWING	Basic program	4036		0020H	0020H
LETTER	Auto-Run Basic	3750		0040H	0018H
				017FH	0001H
				0226H	0005H
SCROL	Code	0400H	E600H	0184H	0008H
BASIC	Basic program	1160		01ECH	0009H
				0180H	0001H

There are two unused pins on the Centronics socket that can be used to test whether a printer is connected to the interface and if it is on line. Most printers do provide the necessary signals and users will have to refer to their printer manual. I use a Centronics 739 which provides a +5V printer on signal and a Select signal set by the On Line/Local switch.

On the underside of the centronics board connect wires from SK1 pins 13&12 to IC4 pins 1&2. Connect a resistor of about 3.3k between pin 2 of IC4 and ground. This is to ensure a zero volt signal when no printer is connected.

Rewire the printer lead so that the On signal goes to pin 13 on the connecting plug and the select (if available) goes to pin 12.

In a program checks can be made by setting BASE 800H and interrogating CRB[10] to check the printer is available and switched on. CRB[11] if applicable can check the state of the on line switch.



See Cortex II P. 20

Some users may have noticed that when using my KEYS program in Newsletter 9 that the cassette command CLOAD will not work (or LOAD if not using a disk based system). One of the characters is used in the header checksum and if the key routine is enabled then a TAPE READ ERROR will occur as soon as the program is found. This problem can be avoided by disabling the KEYS routine.

To disable the routine, memory locations 48EH and 490H need to be set to 4DDH and 0D778H respectively. To re-enable set the locations to 0460H and A0 (the start address of the keys code). I have added a section to the program to create two new commands KON (Keys ON) and KOF (Keys OFF) to do these operations simply.

The listing is the same as that in Newsletter 9 with the following lines. Line 51 and lines 140-260. Lines 200-230 with the data at 140-150 set up a small m/c routine to set/unset the keys routine. Line 240 with the data at 160 to 170 put the command names into the lookup table to run the new coding. The code can be relocated by altering the variable SA which holds the start address of the added code.

One point omitted from the previous writeup for KEYS is that 'a' and 'b' (shown in the new listing) are dummy characters to allow quotes and carriage returns to be included in the labels.

```

1  REM ***** KEYS WITH ENABLE/DISABLE COMMANDS *****
10  DIM %CC2]
15  TEXT : COLOUR 1,13: ? @"C14R";"KEY LABELS": ? @"13R";"*****"
20  ? : ? " Key Label": ?
25  AO=05FB0H: KD=05F00H: RESTOR 105
30  FOR F=0 TO 47: READ A: MWD[AO+F*2]=A: NEXT F
35  MWD[048EH]=0460H: MWD[0490H]=AO
40  FOR N=176 TO 185: X=N-176: GOSUB 65: NEXT N
45  N=173: X=N-163: GOSUB 65
50  FOR N=219 TO 223 STEP 2: X=(N-197)/2: GOSUB 65: NEXT N
51  GOSUB 200
53  ? : ? "To disable 'CALL";%SA+018H;"' or type 'KOF'"
55  ? "Re-enable 'CALL";%SA+8;"' or type 'KON'": ? : WAIT 100
56  ? "Loading CAT Command": LOAD 0,"CAT"
60  ? "Loading FIND Command": LOAD
65  F=KD+12*(X): MEMCF]=N: READ %CC0]: GOSUB 90
70  FOR G=1 TO 10: MEMCF+G]=ASC[%CC0;G]: NEXT G: MEMCF+G]=0
75  %A=%13: P=POS[%A,%CC0]: IF P THEN %CC0;P]="[Return]"
80  %A=%(N-128): ; "[GRAPH]-";%A;" ";%CC0]
85  RETURN
90  P=POS["a",%CC0]: IF P THEN %CC0;P]=%13%0
95  P=POS["b",%CC0]: IF P THEN %CC0;P]=%34
100 RETURN
105 DATA 0420H,AD+0CH,04DDH,0D778H,0460H,0492H,AD+010H,AD+030H
110 DATA KD,0,0,0,0,0,0,0,0,0,0,0,0,0,0,0
115 DATA 0C22DH,010H,0C040H,0202H,11,09631H,01304H,0A042H
120 DATA 0D451H,016FBH,0380H,0DE31H,0D451H,01601H,0380H,0DE31H
125 DATA 05A0H,0EDABH,010F9H,0DE03H,05A0H,0EDABH,0380H,0
130 DATA "RUNa","LIST","LOAD 0,b","LDIRba","DATA ","GOSUB","RETURN"
135 DATA "SAVE 0,b","b,REP,EXa","CONTa","COLOUR","GOTO","GRAPH","TEXT"
140 DATA 0460H,AD,04DDH,0D778H
145 DATA MOV,SA,A1,MOV,SA+2,A1+2,0460H,021CH
150 DATA MOV,SA+4,A1,MOV,SA+6,A1+2,0460H,021CH
160 DATA 03A9AH,073D6H,04038H,SA+8
170 DATA 03A9CH,033D6H,0403AH,SA+018H
199 REM ***** CODE TO ENABLE/DISABLE KEYS *****
200 MOV=0C820H: SA=06FD0H: A1=048EH
210 FOR I=SA TO SA+38 STEP 2
220 READ A: MWD[I]=A
230 NEXT I
239 REM ***** CODE TO PUT AS COMMANDS KON & KOF *****
240 FOR I=1 TO 4: READ A,B: MWD[A]=B: NEXT I
260 RETURN

```

£ = #

MDEX UTILITIES DISK FROM ANTHONY ROWELL

Anthony has put together a few MDEX utilities for user group members. The disc is in 40 track single sided double density MDEX format and contains the following :

1. MOD256K.TXT A description of how to upgrade the CORTEX memory to 256K Bytes onboard.
2. WPRINT A utility to print out a file with multiple columns per page (like a newspaper) on an MDEX system. Very useful for disassembly etc.
3. SWAP A utility to exchange drives 1/ and 2/ under MDEX (and back again if called again). Useful for systems having mixed drive types. NB. the FORMAT program access the disc controller directly and so bypasses any SWAP.
4. DISASM A utility to disassemble either program files or relocatable files (better). Various options including initial symbol table input from a file for iterative disassembly. Still under development so a few bugs but still quite useable (feedback welcome!).
5. MENU.OBJ A library routine for menu input, used by WPRINT etc. for linking to user programs.
6. README This document.
7. SYMBOLS An example symbol table input file for the disassembler.
8. MENU.DOC Brief documentation for using MENU.OBJ
9. ADVENTURE This is a copy of Colin Hinsons version of Colosol Cave.

These items are free to CORTEX users for non-commercial use only.

Anthony is currently writing new device drivers etc. for MDEX as a result he now has a MDEX system that allows upto 4 disc drives and a RAMDISK. These are currently working but need some final tidying up. To use them you need the MDEX system generation kit but the result is worth it (eg. using 5" drives the assembly of the 1200 lines of floppy driver source takes 2min. 13sec. but in ramdisk takes 15sec.) and the programmable function keys make life easier too.

If anyone wants a copy of the disk please send a formatted and prepped disk in plus £2 to cover copying and postage.

We hope Anthony will send in more details of his new device drivers when they are finished.

256K Memory upgrade for the Cortex.

Anthony Rowell

The onboard memory of the cortex can be increased to 256K bytes at low cost and with minimal hardware modification. I operate a cortex modified in this way and have no resulting problems.

The sequence of events is as follows :

1. Link pin 1 of all the 4164 Ram's together (IC86 to IC93).
2. Isolate pin 13 of IC52 (74LS02).
3. Link Pins 1 and 2 of IC55 (74LS20) together.
- *4. Remove links LK1 to LK4 located next to IC66 (74LS612).
- *5. Cut the four "dots" alongside IC80 (74LS244).
- *6. Install IC66 (74LS612).
7. Mount a 74LS157 on the PCB by a suitable means and wire it as follows:-

Link Pin 1 to Pin 4 of any DRAM
Link Pins 2,3,5,6,8,15,14,13 to GND
Link Pin 16 to +5v
Link Pin 9 to Pin 1 of any DRAM
Link Pin 10 to Pin 23 of IC66 (74LS612 M07 XA3)
Link Pin 11 to Pin 22 of IC66 (74LS612 M06 XA2)

8. Connect a 1K Ohm resistor between pins 9 and 16 of the new 74LS157
9. Replace all eight 4164 DRAMS (41256-15)

The IC numbers given are as marked on the PCB and not as given in the original ETI articles. The upgrade works by using the existing 4500A DRAM intended for and the extra DRAM address line (A0) being provided via a multiplexor from XA3 & XA2. The onboard memory decode is modified such that it extends from 00000 to 3FFFF.

When using the memory mapper the 4K of ram at 0Fxxx can be used by loading any mapping register (other than 15) with the value 0F.

The cost of the upgrade is 25..30 Pounds and the resulting memory operates faster than an E-BUS based memory expansion.

For anyone who would like to increase this to 512K bytes I suggest that the use XA1 to feed REN1, isolate XA1 from the decode logic and use a second bank of DRAMS main set but with a separate RAS- line driven from RAS1-. As a result the select line of the 74LS157 should be driven by (RAS0- anded with RAS1-). I have not tried the 512K version but it should be ok.

* - Steps not required if memory mapper already fitted.

SMALL CHARACTERS IN GRAPH MODE "SMALL.S" C.J.YOUNG

Listing Of Assembler Source File "SMALL.S"

```

01 ; SMALL CHARACTERS IN GRAPH MODE
02 ;
03 ; TO USE CALL ORG,Y,X,CHAR
04 ;
05 ; Y= ROW 0 TO 24 X=COLUMN 0 TO 63
06 ; CHAR = CHAR CODE
07     ORG    >F200
08 ;
09 XSVDC EQU    >05F2
10 XVDC  EQU    >F120
11 ;
12 START: SLA   R0,8
13         SLA   R1,2
14         A     R0,R1
15         MOV   R1,R9
16         ANDI  R9,>FFF8
17         CLR   R12
18         LI    R10,>0F0F
19         ANDI  R1,4
20         JNE   ODD
21         SETO  R12
22         SRC   R10,4
23 ODD:    MPY   @>1C80,R2
24         LI    R1,>5AEE
25         A     R3,R1
26         SETO  R2
27         LI    R7,>0101
28         SETO  R6
29 MORE:   CLR   R5
30         CLR   R0
31         LI    R4,>0101
32         LI    R3,6
33 CHAR1:  INV   R0
34         JEQ   EVEN
35         SRC   R4,1
36 EVEN:   SRC   R7,1
37         JNC   NOLOAD
38         MOVB  *R1+,R6
39 NOLOAD: COC   R7,R6
40         JNE   NOBIT
41         SOCB  R4,R5
42 NOBIT:  DEC   R3
43         JGT   CHAR1
44         MOV   R9,R8
45         BL    @XSVDC
46         MOVB  @XVDC,R8
47         SZCB  R10,R8
48         MOV   R12,R12
49         JNE   NOSHT
50         SRL  R5,4

```

Listing Of Assembler Source File "SMALL.S" Page 2

```
01 NOSHT: SOCB R8,R5
02      LI   R8,>4000
03      A    R9,R8
04      BL   @XSVDC
05      INC  R9
06      MOVB R5,@XVD
07      SRL  R2,2
08      JNE  MORE
09      RTWP
10 ;
11 ;END OF FILE
12 ;
```

Labels From

Date/Time 01:04:32

XSVDC	05F2	XVDC	F120	START	F200	ODD	F21C
MORE	F22E	CHAR1	F23A	EVEN	F240	NOLOAD	F246
NOBIT	F24C	NOSHT	F262				

Basic

```
10 GRAPH : 'B=2
20 FOR A=32 TO 64
30 CALL 0F200H,B,A-30,A+32
40 NEXT A
50 B=B+2
60 IF B<24 THEN GOTO 20
70 END
```

SMALL uses the existing character set to form the small characters and uses no memory other than the space code itself.

The programme offers a very low cost method of obtaining a 64 column screen for text layout work etc.

This circuit for a combined parallel / serial I/O card has been sent in by Alen Badcock. He says he will develop a P.C.B. for it soon.

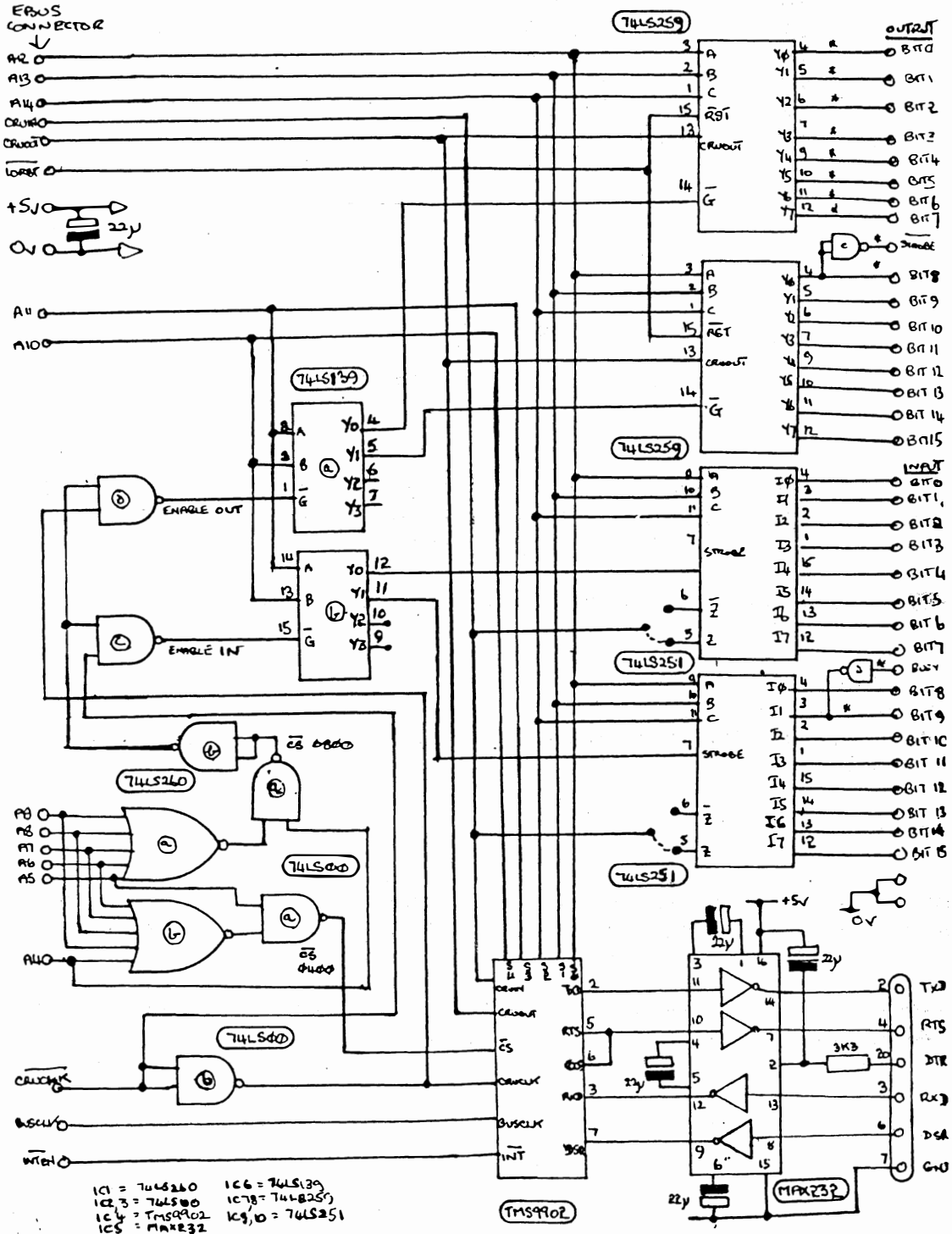
The inputs to the 74LS260 can be shuffled for other base addresses ie, 0200H.

PROTOTYPE

16 BIT 11th CPU PORT + EXTRA SERIAL PORT - By A.A.C. Badcock - 1987

* 1/10 lines used in centronics mode

ALL SUPPLY PINS
AS SHOWN 100NF



KEYBOARD MODIFICATIONS

by John Mackenzie

AUTO REPEAT

Have you ever wanted your keys to repeat with out reaching for that key on the far right. Well here is a simple Cct that will do just that.

On switch on the auto repeat is selected. Press a key and hold it down then after a short delay it will automatically repeat. The delay is to allow you to input just one character and release the key, with out multiple characters being input. If you press repeat then Auto repeat is switched off. Press repeat again and it is reselected.

HOW IT WORKS

The second monostable of IC5 removes any repeat key switch bounce. The repeat key then toggles the first J K flip flop of IC6. Thus selecting 'repeat on' 'repeat off'.

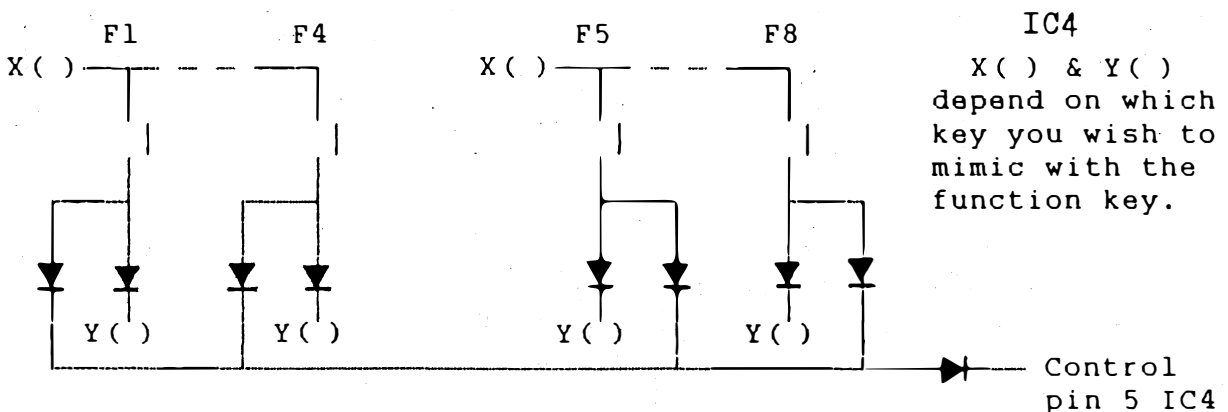
Repeat off inhibits the oscilator IC1 via 1CLR & 2CLR.

Repeat on allows IC1 via 1CLR & 2CLR, But the oscilator is inhibited for a short time after the key is pressed by the first monostable of IC5 which has been triggered by the keydown signal from IC4. The delay time can be adjusted by the 500k pot.

The repeat state is indicated by the LED.

FUNCTION KEYS

I have created a set of single pole single through Function Keys on my Cortex above the top row of keys using this simple Cct.



The Cortex basic is very good for this.

```
10 INPUT ?100,$A
20 GOTO 10
100 POP
110 A=SYS[0]
120 PRINT A
130 GOTO 10
```

Will print out the system number for the CTRL + key you operate or in the case of the above Cct the function key you press.

R.M. LEE

MODS TO 2 PASS

ASSEMBLER

TO CORRECT
ERRORS IN THE
@ LABEL ROUTINE

LIST 11400 TO 11510

```
11400 REM @LABEL
11410 F=0
11420 GOSUB 11800
11460 FOR XX=0 TO L1-1
11470 IF $LAB[0]=$LBL[XX,0]: GOTO 11500
11480 NEXT XX
11485 IF PAS=1: PRINT "NO LABEL FOUND IN LINE ";R: AE=AE+1
11490 GOSUB 10700: GOTO 11510 !NO LABEL ON PASS 1
11500 NUM=LBL[XX,1]
11505 GOSUB 10050
11510 RETURN
```

LIST 11800 TO 11999

```
11800 REM PULL LABEL OUT OF LINE
11810 REM DEPENDENT ON 'Z'
11815 IF Z>0: GOTO 11900
11820 FOR Q=1 TO LENC[$LIN[2,0]]: IF ASC[$LIN[2,0;Q]]<030H: GOTO 11840
11830 NEXT Q
11840 $LAB[0]=$LIN[2,0;Z],Q-2
11850 RETURN
11900 LL=POS["",,$LIN[2,0]]+2
11910 FOR Q=LL TO LENC[$LIN[2,0]]: IF ASC[$LIN[2,0;Q]]<030H: GOTO 11940
11920 NEXT Q
11940 $LAB[0]=$LIN[2,0;LL],Q-LL
11970 RETURN
11999 STOP
```

LIST 10500 TO 10670

```
10500 REM FIND TD
10510 Z=POS["",,$LIN[2,0]]+1
10530 IF ASC[$LIN[2,0;Z]]=052H: REG=$LIN[2,0;Z+1],D: REG=REG*64: GOSUB 10230:
TD=0H: RETURN
10540 $C[0]=$LIN[2,0;Z],2: IF $C[0]<>"*R": GOTO 10570
10545 REG=$LIN[2,0;Z+2],D
10546 REG=REG*64
10547 GOSUB 10230
10550 TD=0400H ! REG INDIRECT
10555 IF $D="+": TD=0C00H !REG INDIRECT AUTO INCREMENT
10560 RETURN
10570 IF ASC[$LIN[2,0;Z]]<>040H: PRINT "NO '@' IN LINE ";R: AE=AE+1
10580 IF ASC[$LIN[2,0;Z+1]]<>03EH: GOSUB 11400: GOTO 10595
10590 $C[0]=$LIN[2,0;Z+2],4: $C[0]=$C[0]+"H": $C[0]=/"0": NUM=$C[0],D: GOSUB 1
0050
10595 $C[0]=$HEX
10600 TD=0800H !SYMBOLIC
10610 P1=POS["(R",,$LIN[2,0;Z]]
10620 IF P1=0: RETURN
10625 P1=P1+Z
10630 REG=$LIN[2,0;P1+1],D
10635 REG=REG*64
10640 IF $D<>")": PRINT "NO ')' IN LINE ";R: AE=AE+1
10650 OP=OP LOR REG
10660 TD=0800H ! INDEXED
10670 RETURN
```

CORTEX USERS GROUP

WELCOME TO THE NEW CORTEX USERS GROUP . THE FOLLOWING ARE DIRECTIONS FOR SNEYD SCHOOL

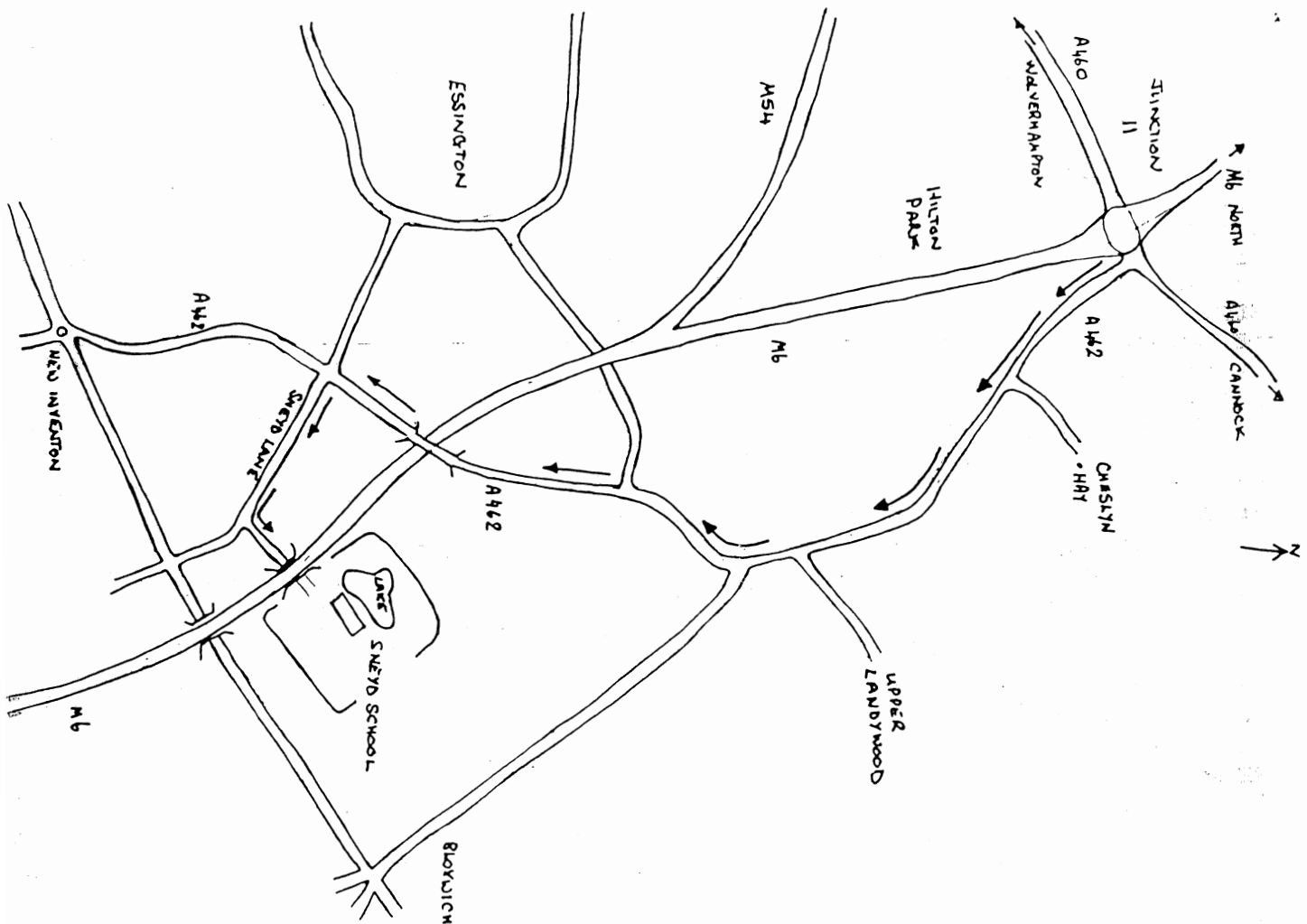
EXIT JUNCTION 11 OF MOTORWAY AND FOLLOW SIGN FOR A462

TAKE THE FIRST TURNING TO THE LEFT AFTER THE ROAD HAS PASSED OVER THE MOTORWAY

YOU SHOULD NOW BE IN SNEYD LANE

THIS ROAD IS STRAIT WITH A TIGHT BEND AT THE END ,THE TURNING FOR THE SCHOOL IS JUST BEFORE THE BEND ON THE LEFT HAND SIDE

IF YOU ARE TRAVELLING ALONG THE A5 TAKE THE A460 TURNING (CANNOCK TO WOLVERHAMPTON ROAD) THIS WILL BRING YOU ONTO JUNCTION 11



CORTEX USERS CLUB SALE		
RGB INTERFACE	BARE BOARD £ 8.00	KIT £ 20.00
CENTRONICS INTERFACE	BARE BOARD £ 7.00	KIT £ 15.00
E BUS -ALL IC'S		KIT £ 30.00
E BUS BACK PLANE		£ 15.00

SEMICONDUCTORS

TMS9901		£ 3.00
TMS9902		£ 3.00
74LS612	(3 AVAILABLE)	£ 25.00
74LS611/74LS611	(NEED PUL UP RESISTORS)	£ 15.00

E BUS EPANSION

E BUS (4K RAM, 8K EPROM SCKT, 16 IN/OUT LINES)		£ 15.00
NOTE-THESE CARDS ARE EX EQUIPMENT TESTED AND WORKING		
E BUS (8*8K EPROM SCKT CARD BUILT NO EPROMS FITTED)		£ 28.00

NEW	E BUS 512K DRAM BARE BOARD	£ 40.00
-----	----------------------------	---------

CORTEX EXPANSION

EXTERNAL VIDIO INTERFACE	BARE BOARD £ 15.00	KIT £ 30.00
DISK CONTROLER (WD 2797+BOARD)		£ 40.00

CORTEX SOFTWARE

DISK OPERATING SYSTEM CDOS 1.20 AND 2.00		£ 45.00
CDOS 1.20 FOR 9909 SYSTEM		
CDOS 2.00 FOR 2797 SYSTEM		
(FORMAT AVAILABLE 80T.SD.DS, 80T.SS.DD, 80T.SS.SD, 40T.SS.SD)		
(3"40T.SD)		

3" HITACHI 305S/SX DISC DRIVES AVAILABLE FROM

MATMOS LTD
1 CHURCH STREET
CUCKFIELD
W SUSSEX RH17 5JZ

PRICE £ 24.95 + £ 3.00 (CARRIAGE)+VAT

MEMBERS SOFTWARE

WORTEX-WORD PROCESSING		£ 15.00
INCLUDES SPELLING CHECKER		
SEND TO J S MACKENZIE		

4 WERSTAN CLOSE

MALVERN WR14 3NH

(INCLUDE TWO 5" DD DISKS)

DRAWTECH-GRAPHICS DRAWING PACKAGE		£ 20.00
-----------------------------------	--	---------

SEND TO T GRAY

1 LARKSPUR DRIVE

FEATHERSTONE

WOLVERHAMPTON

WEST MIDLAND WV10 7TN

TWO PASS ASSEMBLER		£ 10.00
--------------------	--	---------

SEND TO R M LEE

3 CHURCH AVENUE

WESTHAM

PEVENSEY

EAST SUSSEX

BN24 5LN

CORTEX USERS GROUP SOFTWARE

ALL GAMES £ 2.50 EACH

BURGLAR	MUNCHER
FROGGER	G DESIGN
INVADERS&ASTEROIDS	WALL
HUNCHBACK	ARCHIE
MAZE	NIGHT ATTACK
OLIMPICS NEW	CORTELLO
FIRE BIRD	RESCUE
PENGO	MOONBASE II
LABYRINTH OF TAG	CENTIPEDE